

MEDIUM VOLTAGE INDICATOR (R-1V SERIES)



Electrical safety demands the answer to one question: Is there voltage? The R-1V Series Medium Voltage Indicator mounts to a medium voltage bus and flashes when voltage is present on the bus. This product is designed to provide sufficient illumination to be easily seen through IR or viewing windows on a medium voltage starter, transformer, switchgear and other power distribution equipment. The R-1V Series is built for long life and reliability with solid-state LEDs and flame-rated material. Because the R-1V capacity couples to ground, it provides high surge immunity and has electrical-installation integrity.

Capacitive coupling between the R-1V and earth ground provides a means of completing the flashing circuit without a hardwired ground connection. This allows for enough energy to flash LEDs. The amount of energy transferred to a medium voltage indicator through capacitive coupling varies, and therefore determines its flash rate and intensity. The key factors include the line voltage, the distance between the adjoining phases, the size, and distance of the ground plane (enclosure or other). For this reason, flash rates are not stated in this datasheet. Alerting workers to voltage requires the voltage indicator to flash at least once every 3 seconds (20 per minute). A slower flash rate is not an effective warning for workers. Because of this, the R-1VH flash rate is optimized for applications on voltage between 15KV and 43KV. Likewise, the R-1VL works better between 2KV and 15KV.

FEATURES

- Qty 3 Long Life LEDs per unit
- 2KV to 43KV Operating range
- 1/2" Bolt hole mounting
- Adjustable viewing angle

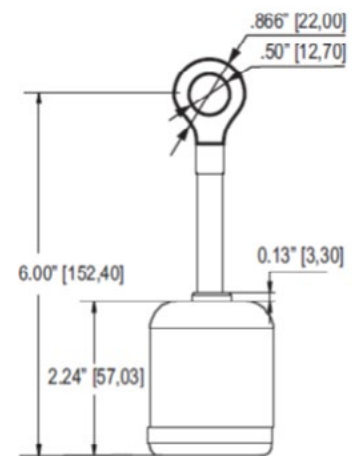
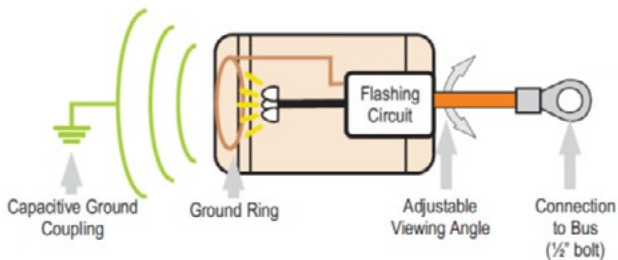
APPLICATIONS

- Medium voltage starters
- Switchgear
- Power distribution Systems

SPECIFICATIONS

Apply Voltage AC (rms)	2~43KV
Max Voltage AC (rms)	3KV
LED Color	Red
Power Consumption	<0.01 W
Approx. Weight	0.6 lbs
Operating Temperature	-20°~80°C

Part #	Flash Rate Optimized for Voltage Range
R-1VL003 (contains 3 units)	2KV to 15KV (low) (2,000V - 15,000V)
R-1VH003 (contains 3 units)	15KV to 43KV (high) (15,000V - 43,000V)



FOR MORE INFORMATION VISIT PESD.COM OR CALL 1.800.280.9517

Warning: Verify an electrical conductor has been de-energized using an adequately rated test instrument before working on it. Follow appropriate Energy Control (Lockout/Tagout) procedures as per OSHA Subpart S.

© Grace Technologies, Inc. All rights reserved. Specifications are subject to change with/without notice.

SS-R1V-DS-EN 2006