



A3



G3



L3

INSTALLATION

GracePorts® are intended to be mounted in or on an enclosure product. Installation should be performed by a qualified technician and adhere to applicable regulatory codes. These devices are for mounting on the flat surface of enclosures having the same type environmental ratings.

All installations:

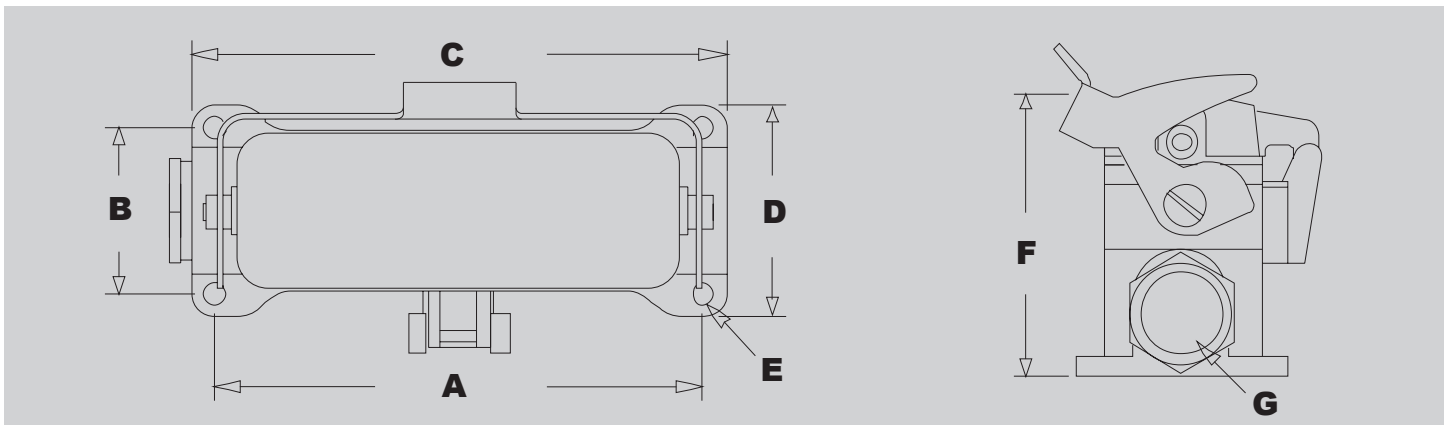
- 1) DRILL FOUR (4) mounting holes and secure GracePort® assembly.
- 2) Connect low voltage interface wiring according to documentation provided with unit.

On units configured for optional AC power:

- 1) Connect outlet device as per code. *Note: It is the responsibility of the installer to ensure adequate separation of high and low voltage circuits in the end-use product. Check with factory for connector codes that can be pulled through conduit opening.*

QUESTIONS

For questions or technical support, please contact us at 1-800-280-9517.



OVERALL & MOUNTING DIMENSIONS INCHES (MM)

HOUSING CODE	A	B	C	D	E	F	G
A3	2.76 (70)	1.57 (40)	3.22 (82)	2.05 (52)	.22 (5.5)	2.64 (67)	1/2" NPT
G3	5.20 (132)	1.77 (45)	5.67 (144)	2.24 (57)	.22 (5.5)	2.80 (71)	3/4" NPT
L3	4.37 (111)	4.17 (106)	5.55 (141)	4.72 (120)	.25 (6.4)	4.65 (118)	1" NPT



Warning: Verify an electrical conductor has been de-energized using an adequately rated test instrument before working on it. Follow appropriate Energy Control (Lockout/Tagout) procedures as per OSHA Subpart S. GracePort® is a registered Trademark of Grace Engineered Products, Inc.
© Grace Technologies, Inc. All rights reserved. Specifications are subject to change with/without notice.

GP-SM-H-IG-EN 2005