

## FREQUENTLY ASKED QUESTIONS

**Q: Do you have CAD drawings for GracePort® Housings?**

**A:** Absolutely! We have 2D PDF, 2D DWG, and 3D STP files available on our website at: [www.graceport.com](http://www.graceport.com) and ePlan or email: [sales@gracetechnologies.com](mailto:sales@gracetechnologies.com).

**Q: What is the SCCR rating for the accessory power outlets/receptacles used with GracePorts®?**

**A:** Since GracePorts® are offered with variety of power outlet options, the default SCCR ratings as defined in the UL 508A Table SB4.1 apply to the power outlet offerings. OEMs are required to use current limiting fuses of Class CC type in the upstream to increase the SCCR rating for the accessory power outlets used in the GracePorts® to match with their panel SCCR ratings. Below is the Short Circuit Current Rating of the various receptacle outlets offered with GracePorts®.

- Any outlet with a Circuit Breaker: 0.2kA
- Standard GFCI (RF): 2kA
- Simplex (R): 10kA
- Duplex (RD): 10kA
- High Interrupt GFCI (RX-K10): 10kA

**Q: I work for a UL 508 panel shop, do I need to match the housing rating to my enclosure?**

**A:** For UL 508 panel shops, the UL rating of the housing must match the rating of the enclosure. It cannot exceed in order to pass (i.e. use UL 4X GracePort on UL 4 rated enclosure). If UL 508 is not needed or desired, a housing can exceed the rating of the enclosure with no problems.

**Q: Can GracePorts be used in food and beverage or pharmaceutical areas that are washed down as part of a clean-in-place process?**

**A:** Yes! The new MagView™ housing option is IP69 & IP69K rated and fabricated from chemically resistant materials.

**Q: Do you sell components separately?**

**A:** Unfortunately no, we do not sell components separately.

**Q: What is the GFCI rated for and does the GFCI protect all three outlets?**

**A:** The exterior duplex outlet and the inside is rated for 15A. All three outlets are protected by GFCI. For an exterior 15A option (F2 exception code) contact your local sales representative.

**Q: What's the difference between Shielded and Unshielded Ethernet Ports? Do I need a Shielded Port?**

**A:** Shielded Ethernet cables and ports are typically used when there is high electromagnetic power presence that will interfere with communication. This is oftentimes found in welding applications. Typically if you are not aware that you have a high EMI (Electro-Magnetic Interference) environment, you will not need the shielded port or cable.

**Q: Do Grace Permanent Electrical Safety Devices (PESDs) work with these housings as well?**

**A:** The Voltage Test Station, which contain a Voltage Indicator and the Safe-Test Point™, will fit within the MagView™ or M Size ThruView housings. Individual PESD Products can be placed in smaller size housing depending on the application. For more information on PESDs, please go to [www.PESD.com](http://www.PESD.com) or contact your local sales representative to customize your GracePort®.

**Q: I have an urgent order, can it ship today?**

**A:** We have many GracePort® components readily in stock. If your GracePort® uses common components and the order is received by 11:00am CST many times your GracePort® can ship that day.

**Q: Can I get my company logo printed on the faceplate?**

**A:** Absolutely! Custom logo and text options are available on the GracePort® faceplate. The recommended file resolution is 600dpi .jpg for submitted text and logos. Contact your local sales representative for more details.

# GRACEPORT®

## Enhance Safety and Productivity in Industrial Control Panels



## GRACEPORT® FEATURES

- ▶ GracePorts® are panel interface connectors that provide safe access to PLC control panels through closed doors.
- ▶ Our GracePorts® can be fully customized with a variety of components, housings, domestic and international power options to match your specific application. We can also add your logo or custom text to make your configuration unique to you.
- ▶ Quick assembly and delivery and ship each GracePort® within 2-3 business days.
- ▶ Thru-door access enabled by GracePorts® enhances compliance to OSHA, NEC & NFPA 70E/CSA Z462.

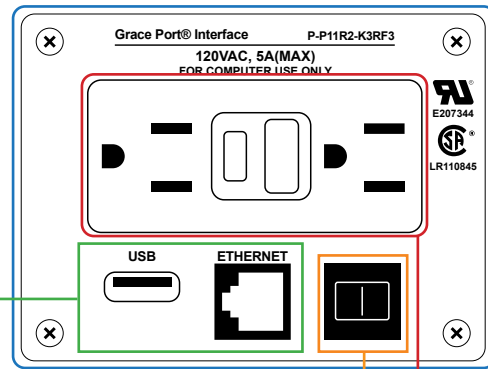


### CUSTOMIZE YOUR GRACEPORT®

This is what sets a GracePort® apart from other communication ports. We can create a custom-built GracePort®, including special text, cut-outs, cable lengths, and even adding your company logo, all in just a few days. Assembled in the USA and created just the way you want it.

#### Components

There are various connectors available and are represented by a two to three digit code found in between the first two dashes of our GracePort® part number layout. Multiple connectors in a GracePort® are listed alpha-numerically and multiples of the same component are followed by # and the quantity. See the next page for some of our common components.



#### Housing Size & UL Rating

Several housing types are available to meet your needs. The size of your housing depends on several variables including the kinds of components you choose, the power option you want and, in some cases, the UL rating you need. UL ratings offered include UL Type 1, 4, 4X, and 12.

#### Circuit Breaker / Power Option

Many power options for international and domestic use are available and are represented by a one to two or three letter code. Because circuit breakers offer the ability to limit what devices can be run through the GracePort®, we offer different amperages as well.

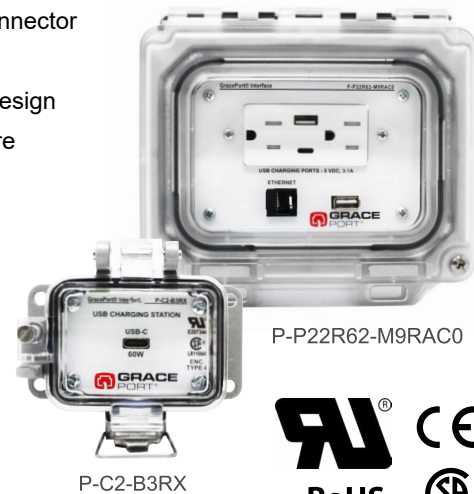
**Over 15,000 unique GracePorts® created and shipped in 2-3 business days!**

**Shop Now**

### NEW INNOVATIONS

**MagView™ Housing:** The new GracePort® MagView™ is a low-profile panel interface connector housing with a patented magnetic seal. The magnetic lid is pad-lockable and snaps to the enclosure when open to enhance technicians with hands-free convenience. Its compact design and robust environmental protection (UV, IP66, IP69, IP69K, and various UL Types) ensure reliability and durability in any industrial setting.

**USB-C Component:** The latest GracePort® component features a USB-C charging functionality that allows service technicians and PLC programmers to safely charge laptops and other handheld devices from outside the door. USB-C connections are quickly becoming an industry-standard connector for transmitting both data and power through a single cable.



Actual product certification will vary with component selection.

FOR MORE INFORMATION VISIT [GRACEPORT.COM](http://GRACEPORT.COM) OR CALL 1.800.280.9517

© Grace Technologies, Inc. All rights reserved. Specifications are subject to change with/without notice.

### HOUSING OPTIONS



#### UL Type 1

Indoor use primarily to provide protection against contact with the enclosed equipment and against a limited amount of falling dirt. Choose from our standard sizes and interfaces or a custom interface to fit your exact requirements. Units can be built with gasketing to offer an extra measure of protection against dust and other contaminants.



#### NEW MagView™ - IP66, IP69, IP69K

The MagView™ housing for GracePort® features a patented magnetic seal and a lid that magnetically attaches to the enclosure for a hands-free experience. This compact, durable housing is UV rated for outdoor use, and meets a broad range of UL ratings (Type 1\*, 2, 3, 3X, 3R, 3RX, 4, 4X, 5, 12, 12K, 13), providing unparalleled convenience and protection. \*Lid retention screws not required.



#### UL Type 4 - IP65

Either indoor or outdoor use to provide a degree of protection against falling rain, splashing water and hose-directed water; undamaged by the formation of ice on the enclosure.



#### UL Type 4X - IP65

Either indoor or outdoor use to provide a degree of protection against falling rain, splashing water and hose-directed water; undamaged by the formation of ice on the enclosure; resists corrosion.



#### UL Type 12 - IP65

Indoor use to provide a degree of protection against dust, dirt, fiber flyings, dripping water and external condensation of noncorrosive liquids.



#### Stainless Steel

Keep stainless steel enclosures closed with the #304 or #316 stainless steel GracePort® interface. The 100% stainless steel GracePort® housing is designed to meet rigorous environments. Also available in a low-profile design.



#### Surface Mount Heavy Duty - IP65

Surface Mount Housings are made from a cast alloy base and are IP65 Rated when installed. These housings provide excellent protection for GracePort® components and power options from contaminants such as dust and debris as well as protection from water entry. This makes these types of housings suitable for corrosive environments and/or areas that require frequent wash downs.



#### Hazardous Location

The Hazardous Location GracePort® (M7) is intended for environments where the user must perform a "sniff test" and typically obtain a "Hazardous Work Permit" before opening the enclosure. The housing is especially well suited for use with the GracePort Low Profile Circuit Board for ease of field wiring.

**Need to cover an existing HMI or UL Type 1 GracePort®? GracePort®+ has you covered - refer to the GracePort+ Datasheet for more information.**

FOR MORE INFORMATION VISIT [GRACEPORT.COM](http://GRACEPORT.COM) OR CALL 1.800.280.9517

© Grace Technologies, Inc. All rights reserved. Specifications are subject to change with/without notice.

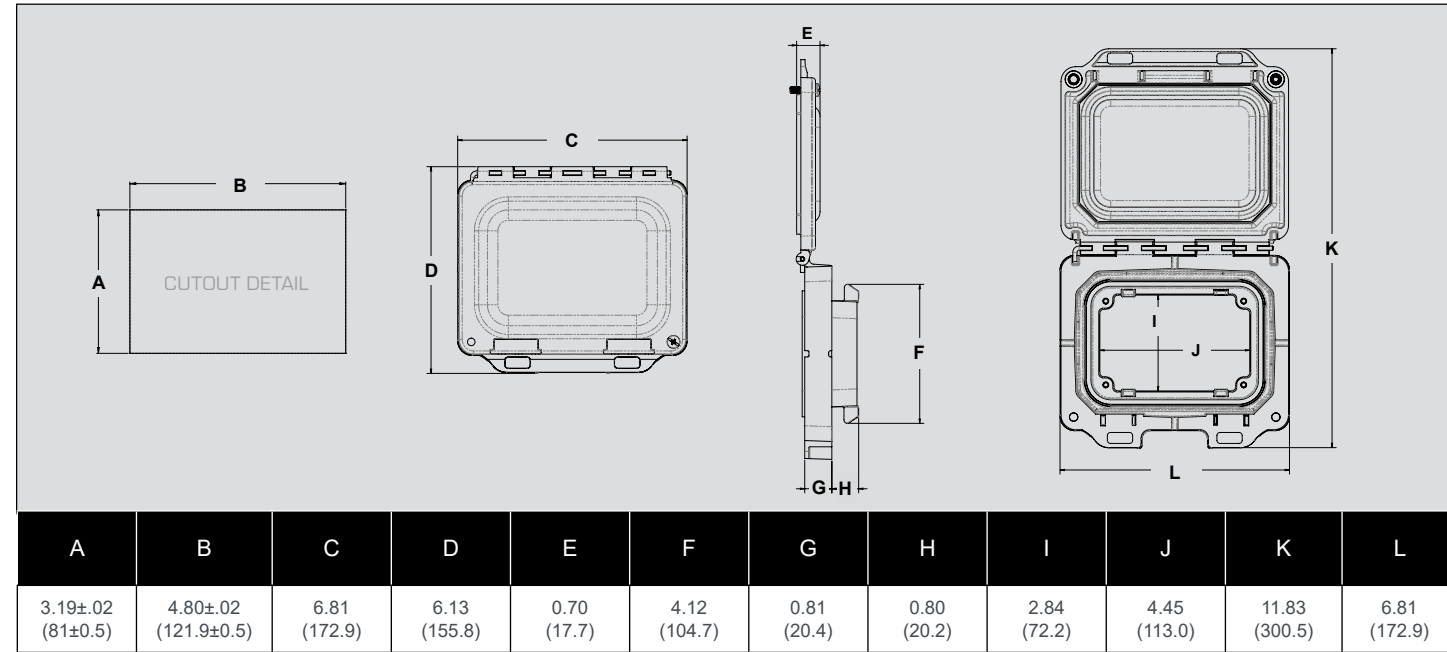


Actual product certification will vary with component selection.



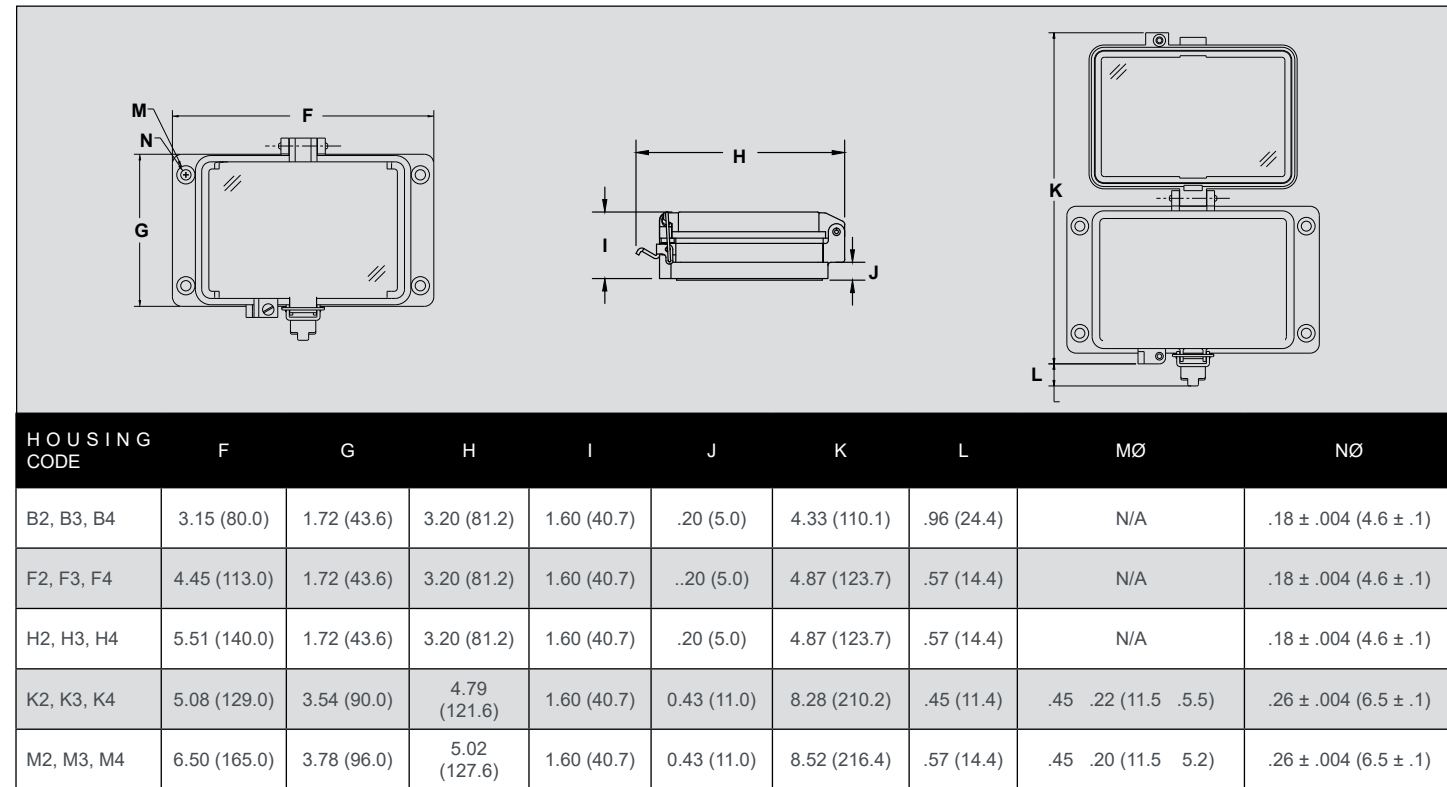
**OVERALL HOUSING SPECIFICATIONS** INCHES (MM)

**NEW MagView™ Housing Type 1\*, 2, 3, 3X, 3R, 3RX, 4, 4X, 5, 12, 12K, 13**



\*Does not require use of lid retention screws.

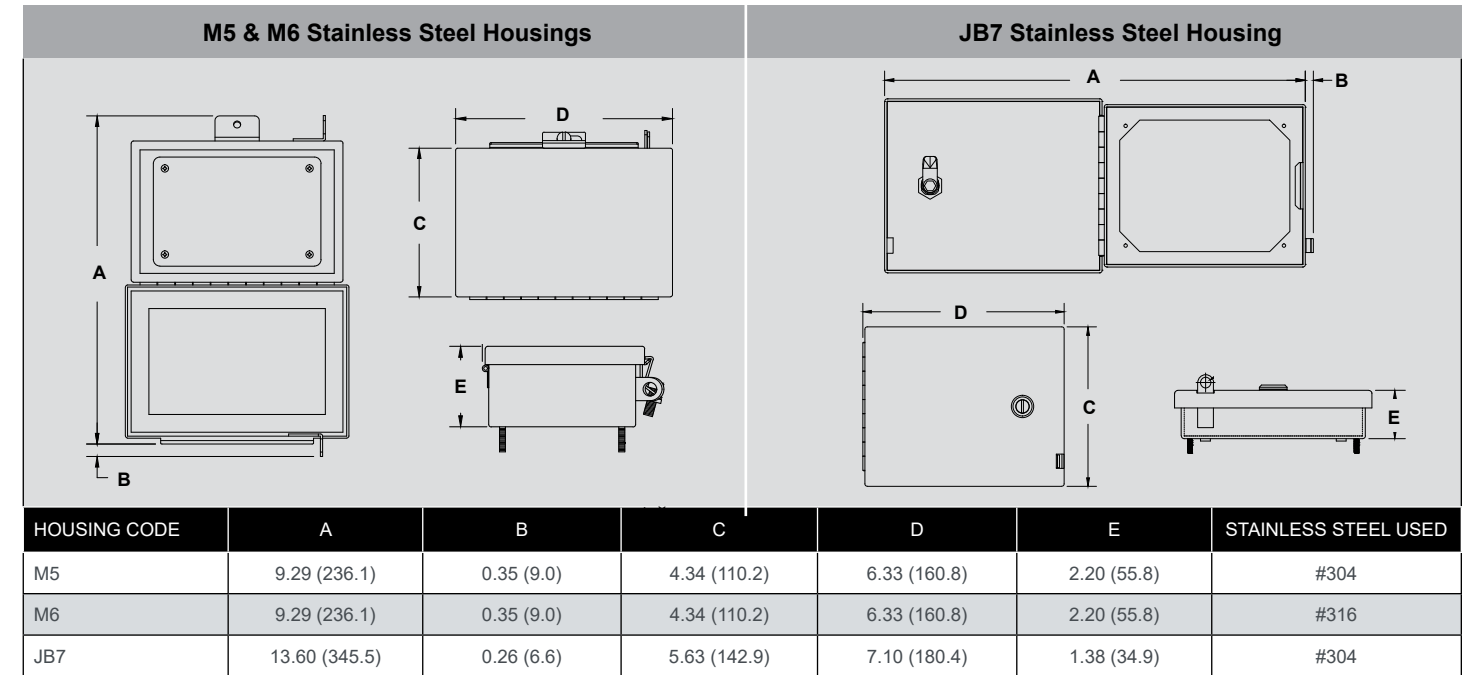
**ThruView Housings (Type 4, 4X, 3R, and 12)**



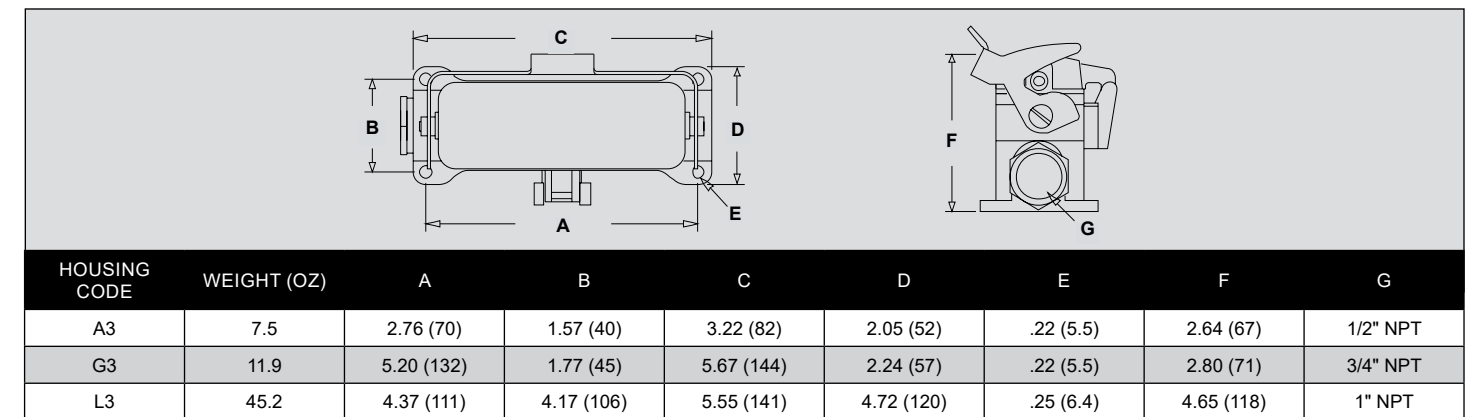
FOR MORE INFORMATION VISIT [GRACEPORT.COM](http://GRACEPORT.COM) OR CALL 1.800.280.9517

© Grace Technologies, Inc. All rights reserved. Specifications are subject to change with/without notice.

**Stainless Steel Housing Type 4X & Low-Profile Stainless Steel Housing NEMA Type 4**



**Surface Mount UL Type 4**



**UL Type 1**

HOUSING ENVIRONMENT	SIZE: (H x W, INCHES)
B1	1.72 x 3.15
F1	1.72 x 4.45
H1	1.72 x 5.51
K1	3.54 x 5.08
M1	3.79 x 6.50
S1	Custom panel

**GracePort® Hazardous Location Housing**

