



HAZARDOUS LOCATION GRACEPORT HOUSING

The Hazardous Location GracePort® (M7) is intended for environments where the user must do a “sniff test” and typically obtain a “Hot Work Permit” before opening the enclosure. Computer access ports and specific network solutions are available for Ethernet, DeviceNet, Data Highway Plus, Modbus Plus, Profibus, Fipway and others. The housing is especially well suited for use with the GracePort® Low Profile Circuit Board for ease of field wiring.

Housings only meet both domestic and international code requirements.

MECHANICAL SPECIFICATIONS

Housing: Die Cast Aluminum base/cover
 Gasket: NBR UL94
 Insert Material: Acrylic UL94HB

ELECTRICAL SPECIFICATIONS

Low voltage (data), limited to 30 VDC

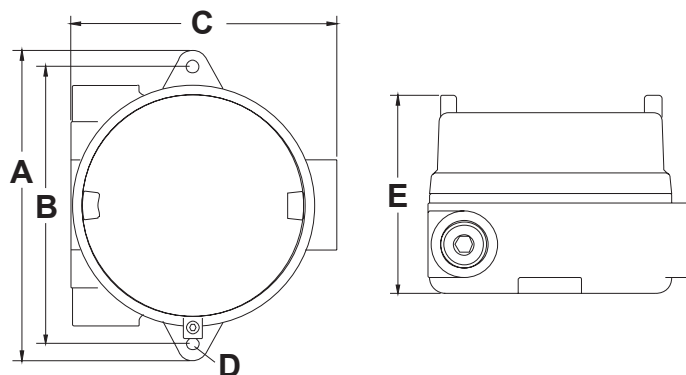
APPROVALS

CSA: LR110845 (not for interrupting circuit)
 CE: EN61010 (Foreign Power Outlets)

Sample Part No.:
 P - R 2 - * * R X
 M7

OVERALL & MOUNTING DIMENSIONS INCHES (MM)

HOUSING CODE	A	B	C	D	E
M7	6.14	5.51	5.26	0.25 DIA	3.93



Don't see what you're looking for?

Contact us at sales@grace-eng.com, call 1-800-280-9517 or visit www.graceport.com to chat with our customer service.

FOR MORE INFORMATION VISIT GRACEPORT.COM OR CALL 1.800.280.9517

Warning: Verify an electrical conductor has been de-energized using an adequately rated test instrument before working on it. Follow appropriate Energy Control (Lockout/Tagout) procedures as per OSHA Subpart S.

© Grace Technologies, Inc. All rights reserved. Specifications are subject to change with/without notice.



Certification based on final product.

GP-HLH-DS-EN 2005