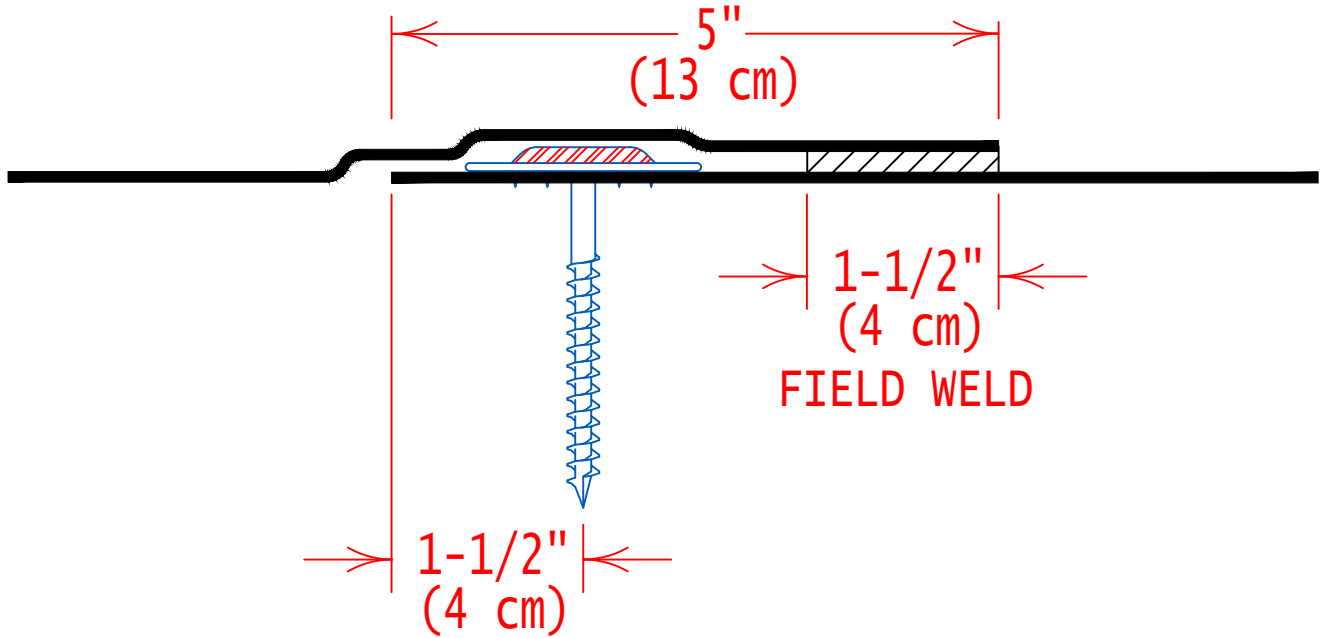
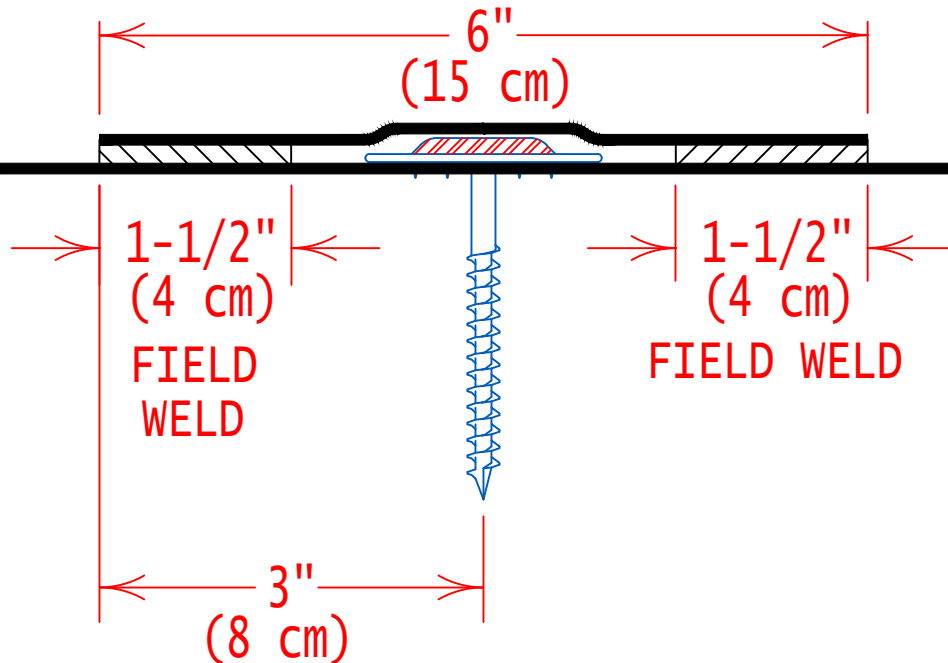


LAP STYLE "B" OPEN



LAP STYLE "D" CLOSED



GENERAL REFERENCE:
"FTR GS 01/21"

APPLICABLE SYSTEMS:
"FTR MA 01/21"

FTR MAGNUM PLATES & FASTENERS
LAP STYLE AND POSITION

REVISES DETAIL
ALL PREVIOUS

ISSUE DATE
02-02-21

DRAWING NUMBER
FTR-DLAPa