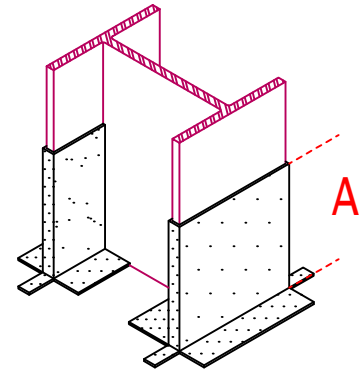
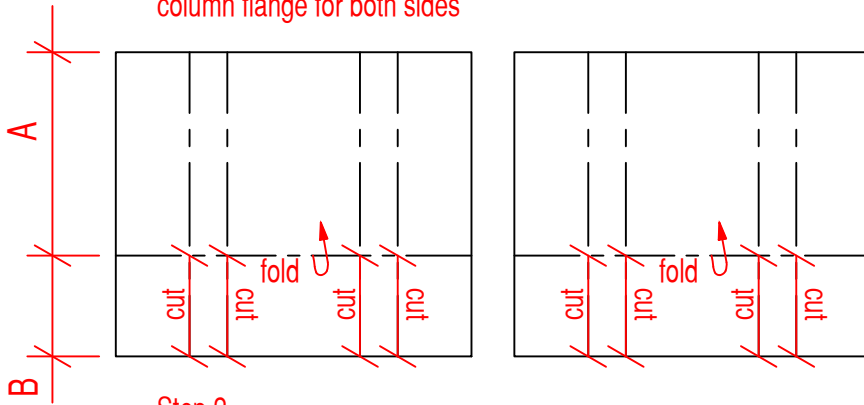


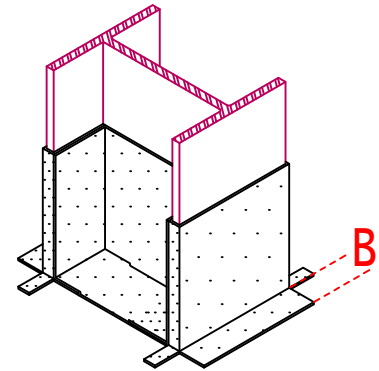
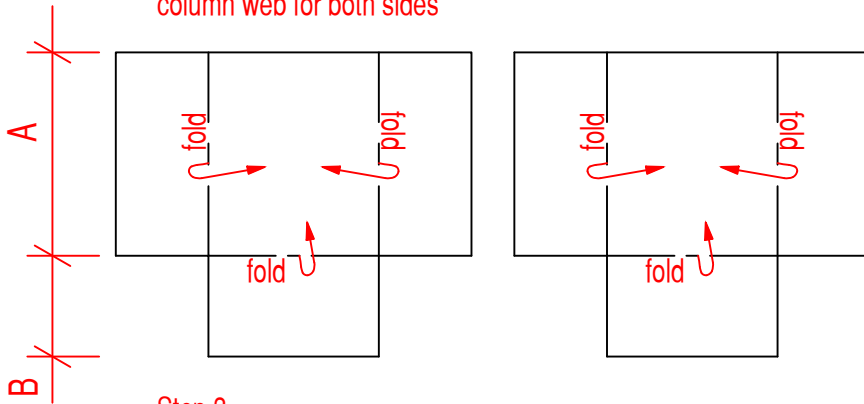
FTR FORTI-LOCK FLEECE PATTERN

A - 8" Min.
 B - 2" Min.
 C - 8" Min.

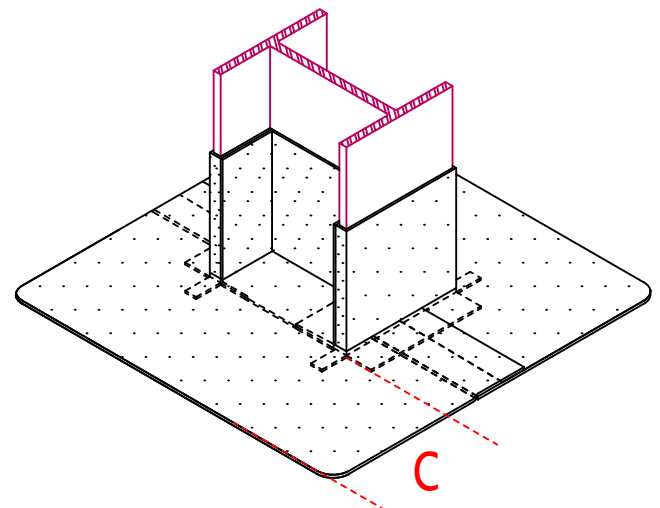
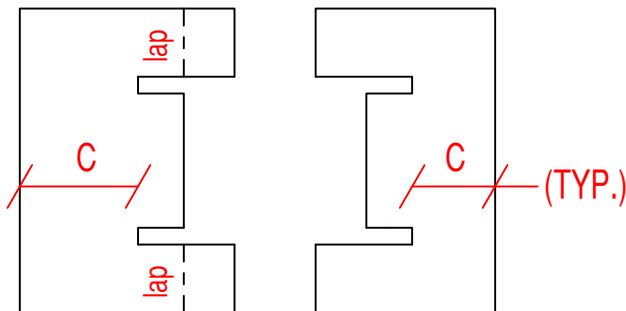
Step 1.
 Cut, Fold & Apply finger flashings at column flange for both sides



Step 2.
 Cut, Fold & Apply finger flashings at column web for both sides



Step 3.
 Cut & Apply target patch over finger flashings with 2" overlap



Round all Corners



GENERAL REFERENCE:
 FORTI-LOCK
 APPLICATION GUIDELINES

APPLICABLE SYSTEMS:
 PRE APPROVED ONLY

FTR FORTI-LOCK™ PMMA "I" BEAM

REVISES DETAIL
ALL PREVIOUS

ISSUE DATE
12-29-20

DRAWING NUMBER
FTR-FL4