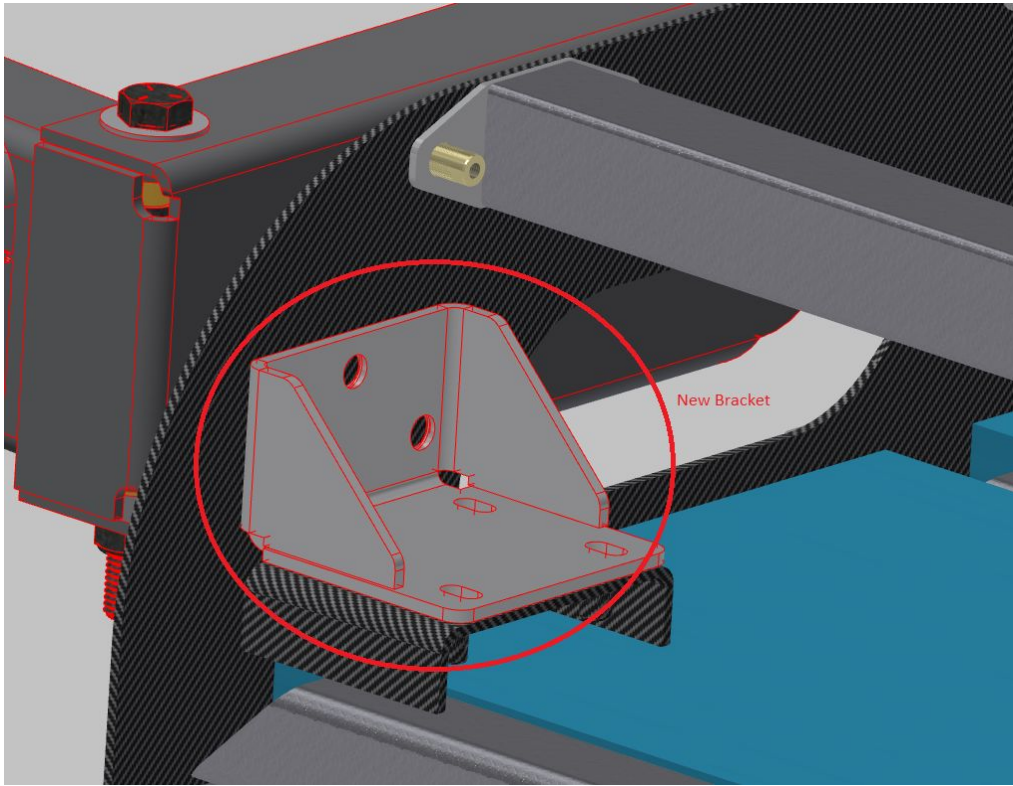
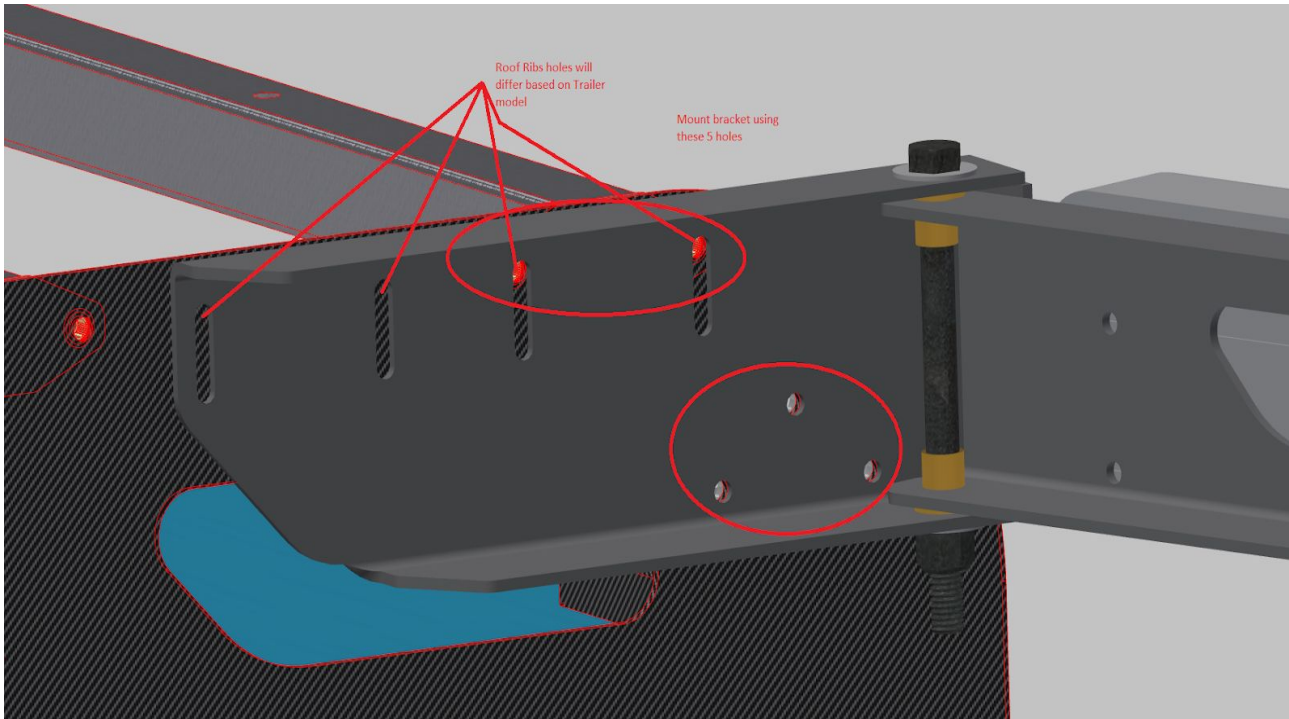


Off Grid Trailers Shower Bracket Retrofit Instructions

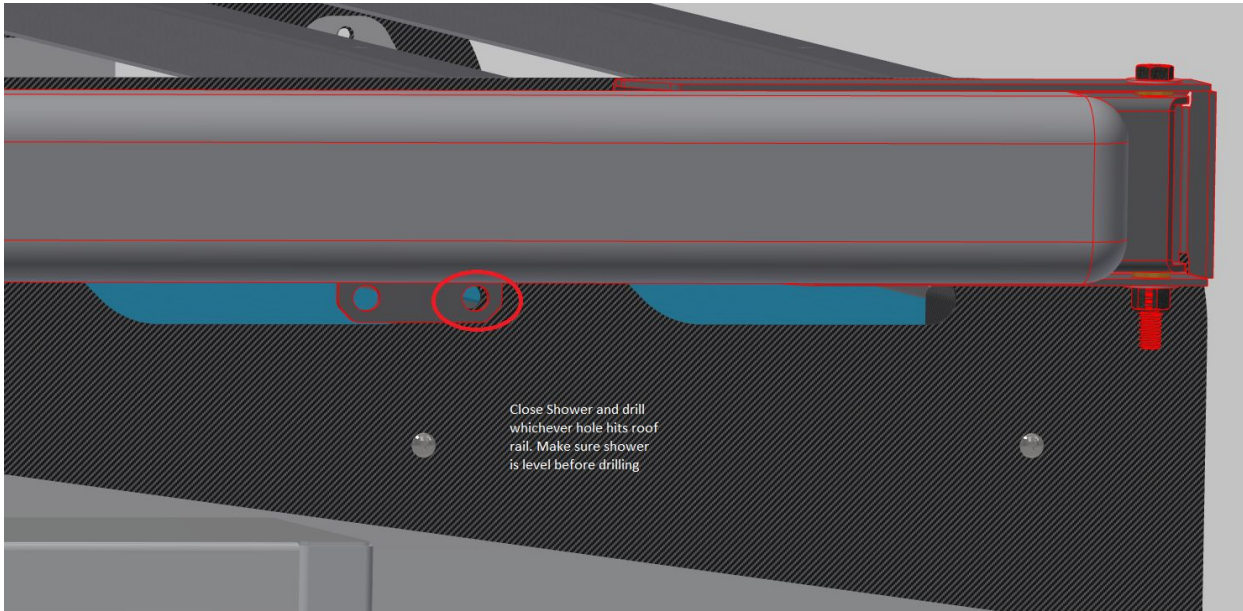
Step 1 - Swap out existing angled bracket with new gusseted bracket. Use locktite.



Step 2 - Attach shower assembly. Use whichever slots align with existing roof rail holes. Use locktite.



Step 3 - Drill latch hole using 9/16" drill bit. Make sure shower is level before drilling. Drill whichever hole hits a solid part of roof rail.



Step 4 - attach latch assembly. Sandwich roof rail between nuts. Use locktite.

