

# FULLY AUTOMATIC STRAPPING SYSTEM

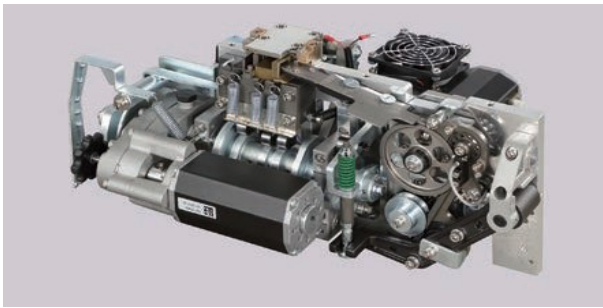
## SM65FABPH *Belt-driven table with pneumatic press*

*High Speed Fully Automatic Strapping Machine with  
Siemens PLC and HMI*

SM65FABPH is fully automatic strapping machines designed based on our best seller SM65 Mercury with proven quality. Equipped with Siemens PLC and HMI as standard, they are born with higher flexibility and better adaptability in a wider range of applications. Thanks to their high speed design with reliable performance, they are highly recommended for high capacity production lines.



### Main Features



#### Robust and Compact Strapping Head

Use the latest brushless DC motor direct drive technology to provide the highest level of accuracy and reliability. All motors are German-made. Without belts, clutches, and pulleys, its compact design greatly minimizes the numbers of moving parts and maintenance cost.



#### Free Access to Strap Guides (patents registered)

Hinged top plate makes easy access to the strapping head for quick maintenance. Unblocking the guides enables free and quick access to strap guides without using any tools. The most maintenance friendly design.



#### Waist-High Auto Strap Feeding

Friendly design to feed the strap automatically from the upper side of the coil without the need to access to the bottom of the machine.



#### Siemens PLC and HMI

Provide easy adjustments, operation instructions, troubleshooting guides and real-time sensor status display.

# FULLY AUTOMATIC STRAPPING SYSTEM

## Options

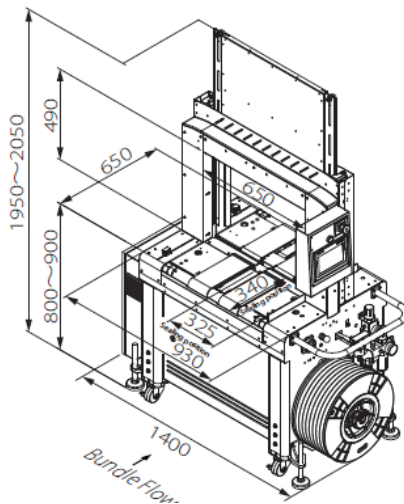
- Light tower with low strap sensor
- Energy saving transit with auto sleep mode
- **Strapping in the center of the bundle**
- Strapping controlled with 2 photo eyes
- **Automatic tension control by package height detection (3 stage tension)**
- **Automatically determining the number of straps by package length**
- Extension belt-driven table of 200 mm on upstream or downstream sides
- (SM65FABH, SM65FABPH)
- Dual channel E-Stop
- **Signal exchange via 16 pin connector**
- Lower adjustable table height from 750 mm
- to 900 mm
- Stainless steel frame (SM65FABHS, SM65FABPHS)

Arch Size		550	650	850	1050	1250
H	W					
500		✓	Ⓢ2			
600				✓ Ⓢ1		✓
800				✓ ✓	✓ ✓	
1000				✓		

850 mm (W) x 600 mm (H) means available arch size

Arch size 850 mm (W) x 1000 mm (H) is only available on TP-702B

SM65FAH:  
Standard size:



## More Features

### Good to Strap Small Package (SM65FABH / SM65FABPH)

The minimum package size is 120 mm in width and 10 mm in height.

### Good for Heavy Packages (SM65FAH)

The robust roller-driven table can load up to 80 kg packages.

### Diverse Strapping Patterns

The setting for different strapping patterns can be done via visual display on HMI very easily.

### Up and Down Stream Interlock

With complete plug connection. Easily integrated into most production lines.

### Easy Bundle Flow Direction Change

The bundle flow direction could be reversed easily to meet different production line requirements.

## Technical Data

<b>Capacity</b>	Up to 40 packages/minute (SM65FAB) Up to 36 packages/minute (SM65FAH, SM65FABPH)
<b>Strap Width</b>	5 mm, 6 mm, 9 mm, or 12 mm
<b>Tension Range</b>	1 - 32 kg (for 5 mm, 6 mm, 9 mm) 1 - 45 kg (for 12 mm) *Higher tension is on request
<b>Pneumatic Source &amp; Air Consumption</b>	6 bar 7.5 liter/cycle (SM65FABPH)
<b>Weight</b>	290 kg (SM65FAH) 228 kg (SM65FABH) 253 kg (SM65FABPH)
<b>Electrical Requirements</b>	110V, 220V, 230V, 240V 50/60Hz 1PH 220V, 380V, 400V, 415V 50/60Hz 3PH