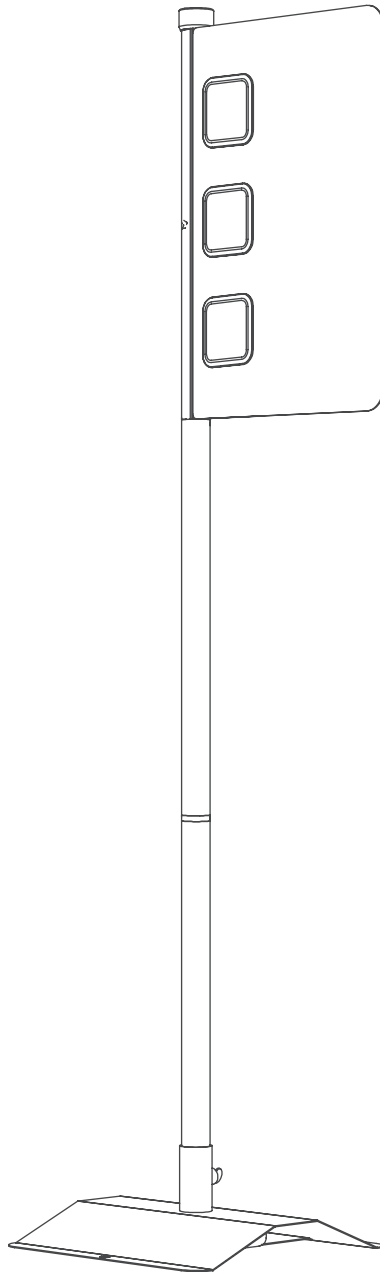




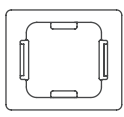
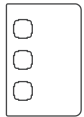

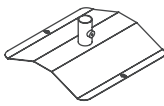

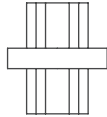
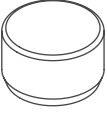
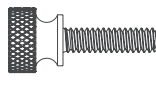
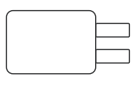
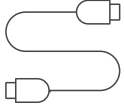
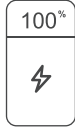
Floor Stand

Assembly Instructions



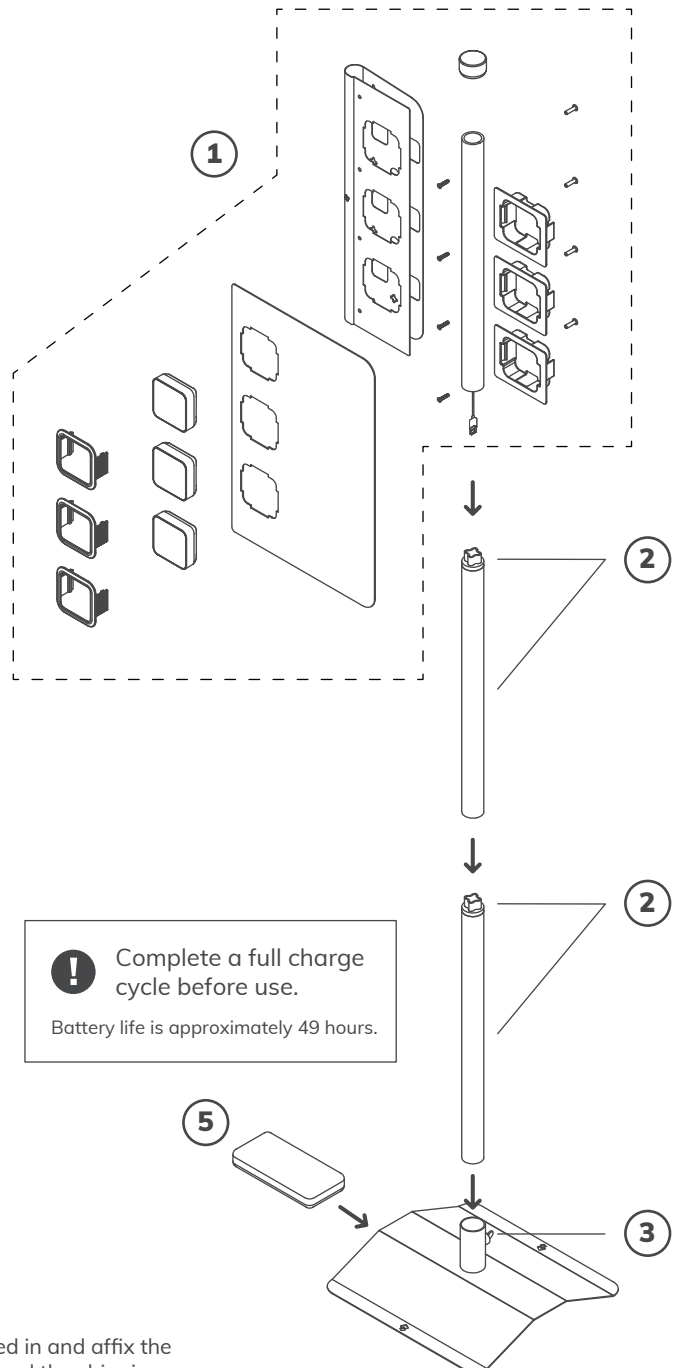
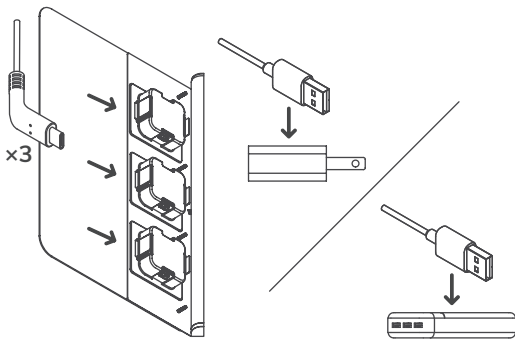
Keep the packaging box
for the return shipment.

Parts List

Front Gasket  x1-3	Device  x1-3	Back Gasket  x1-3	Signage  x1	Device Base  x1	Floor Base  x1	PVC Pipe  x3	Internal Coupling  x2
End Cap  x1	Thumb Screw  x1	Wall Plug  x1	Charging Cable  x1-3	High Capacity Battery  Optional x1			

Installation Steps

- 1 Pre-assembled signage and devices at tiptap distribution centre.
- 2 Connect the pre-assembled signage and devices with PVC pipes as shown in the diagram on the right. Make sure the charging cables run through the pipes and the floor base.
- 3 Secure the connected pipes to the floor base with a thumb screw.
- 4 Check the charging cables are connected to the devices (USB-C) and plug them into the wall plug (USB-A).
Optional Battery: Connect devices (USB-C) to charged high capacity battery (USB-A).



Return Shipping

Once the program has ended, pack the original contents in the box it arrived in and affix the return shipping label provided to the outside of the box. If you have misplaced the shipping label please email support@tiptappay.com and we will happily email you a replacement.