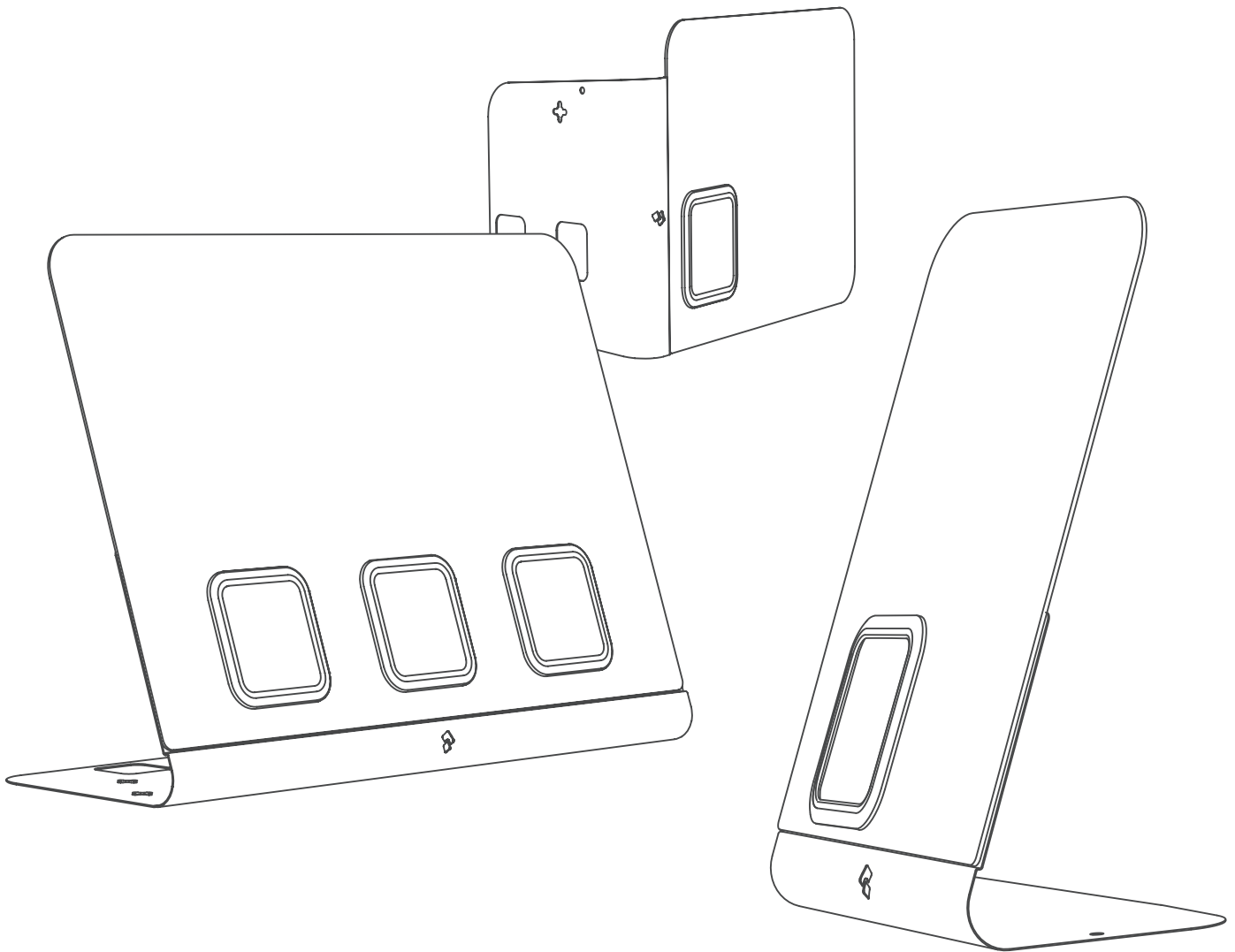





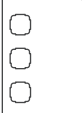
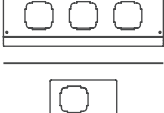
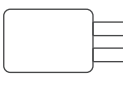

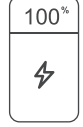
Counter Display

Assembly Instructions



Keep the packaging box
for the return shipment.

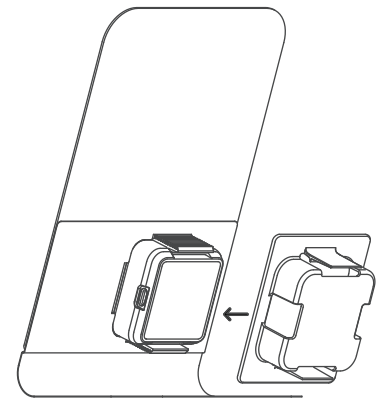
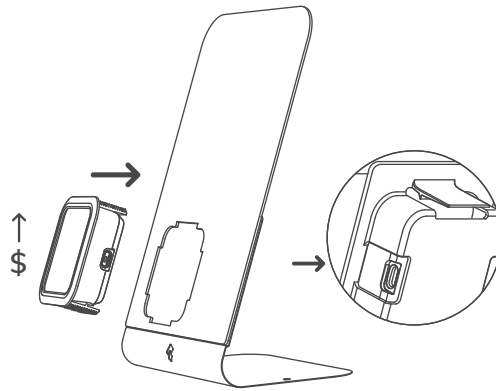
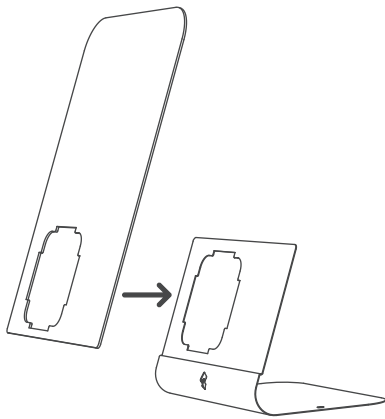
Parts List

<p>Front Gasket</p>  <p>x1-3</p>	<p>Device</p>  <p>x1-3</p>	<p>Back Gasket</p>  <p>x1-3</p>	<p>Signage</p>  <p>x1</p>	<p>Device Base</p>  <p>x1</p>	<p>Wall Plug</p>  <p>x1</p>	<p>Charging Cable</p>  <p>x1-3</p>	<p>High Capacity Battery</p>  <p>Optional x1</p>
---	---	--	--	--	--	---	---

Installation Steps

- Place printed signage on the front side of the base and line up at the cut out hole.
- Place device in the front gasket and put it through the front of the signage and base. Make sure the device denomination is right side up.
- Connect the back gasket with the front gasket until snug.

Multiple Devices: Repeat steps 2 and 3 until all devices are in place.

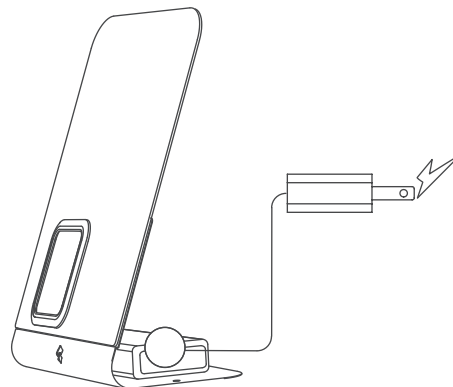
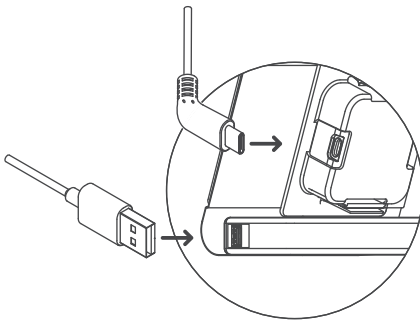


- Attach the charging cable to the device (USB-C) and to the wall plug (USB-A).

Optional Battery: Attach device (USB-C) to charged battery pack (USB-A).

- Plug into power source and make sure excess cable is zip tied and tucked away.

Optional Battery: Skip this step.



Return Shipping

Once the program has ended, pack the original contents in the box it arrived in and affix the return shipping label provided to the outside of the box. If you have misplaced the shipping label please email support@tiptappay.com and we will happily email you a replacement.

! Complete a full charge cycle before use.
Battery life is approximately 49 hours.