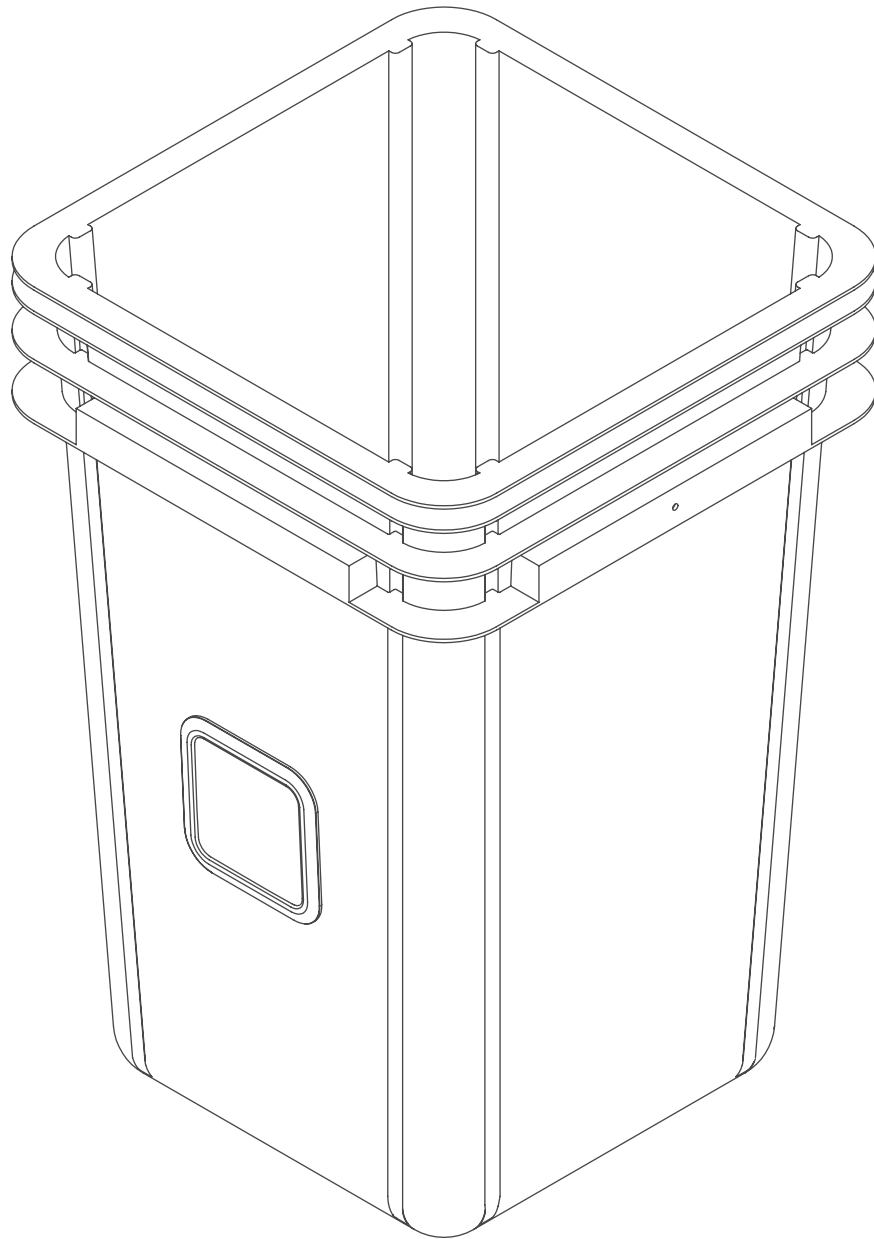


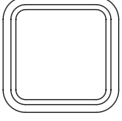

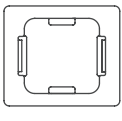
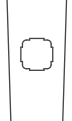
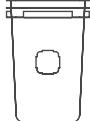

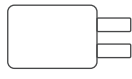
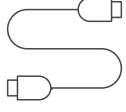
# Parade Bucket

## Assembly Instructions



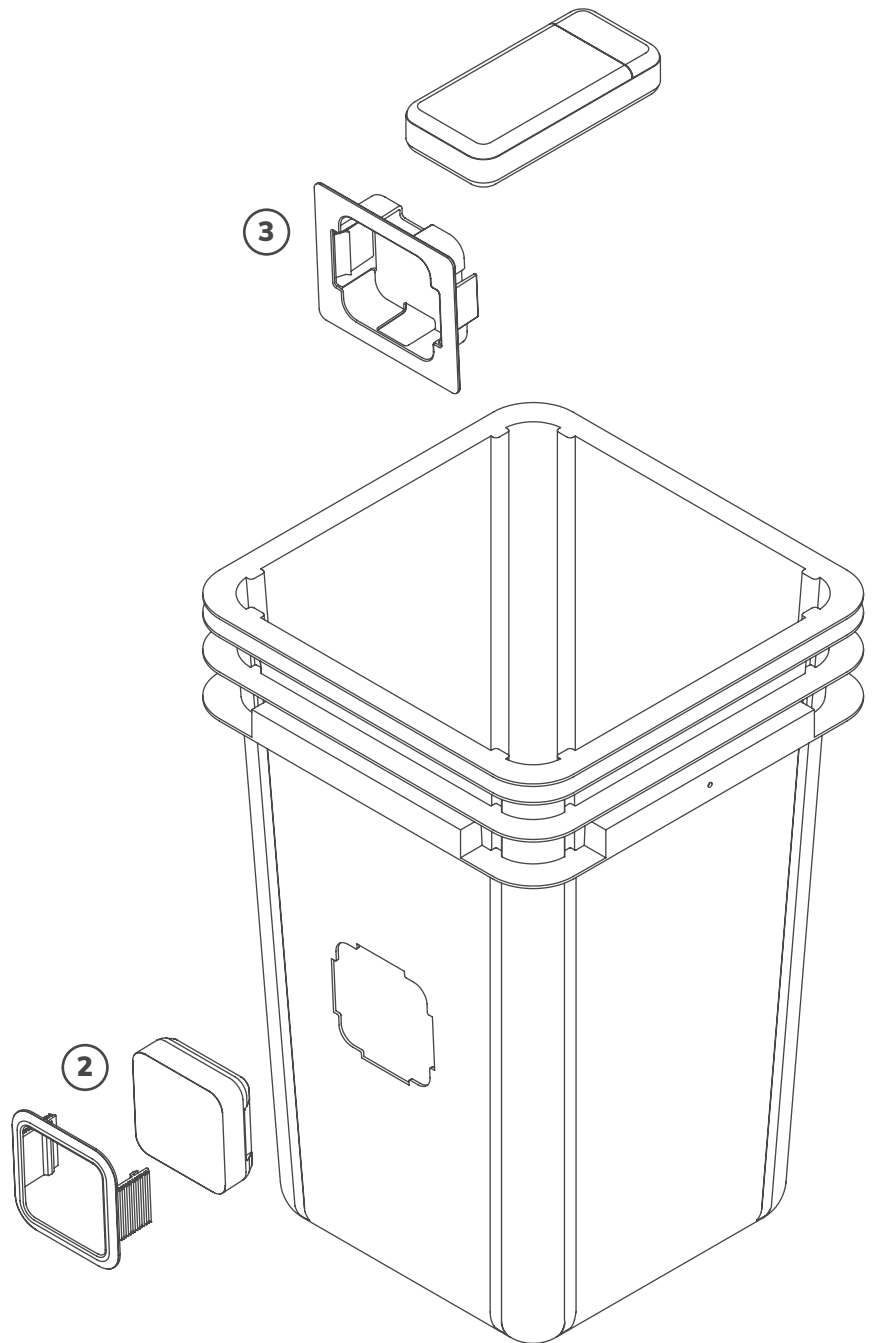
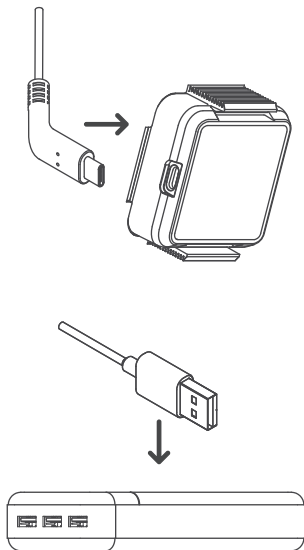
Keep the packaging box  
for the return shipment.

# Parts List

Front Gasket  x1-3	Device  x1-3	Back Gasket  x1-3	Signage Sticker  x1-3	Bucket  x1	High Capacity Battery  x1	Wall Plug  x1	Charging Cable  x1-3
---	---	--	--	---	--	--	---


## Installation Steps

- 1 Signage sticker(s) is pre-applied at tiptap distribution centre.
- 2 Attach front gasket to the device and insert it into the bucket cutout.
- 3 Secure the device and bucket by attaching the back gasket.
- 4 Connect the charging cable to the device (USB-C) and to the high capacity battery (USB-A).



## Return Shipping

Once the program has ended, pack the original contents in the box it arrived in and affix the return shipping label provided to the outside of the box. If you have misplaced the shipping label please email [support@tiptappay.com](mailto:support@tiptappay.com) and we will happily email you a replacement.

 Complete a full charge cycle before use.  
Battery life is approximately 49 hours.