

# ORTAL

YOUR LIFE. YOUR FIRE.

---

## Wilderness Front Facing 51 Firelog Placement Instructions




### Wilderness Firelog Set:

Driftwood




# General

## Safety Information and Warnings

 **WARNING:** No other interior design media options are permitted for the Wilderness 51 series fireplaces.

 **WARNINGS: INSTALLING AND HANDLING MEDIA**

- Keep 1 inch around the pilot completely clear of any material.
- Log media is fragile, handle with care.
- **DO NOT** install the interior design media until fireplace installation is complete, the gas line is connected and tested for leaks, and initial burner operation has been inspected and approved.
- Media materials get very hot and will remain hot up to one hour after gas supply is turned off. Handle media only when materials are cool.
- If media is not installed according to the installation instructions, flame impingement and improper combustion may occur and result in soot and/or excessive production of carbon monoxide (CO). Carbon monoxide is a toxic, colorless, and odorless gas.

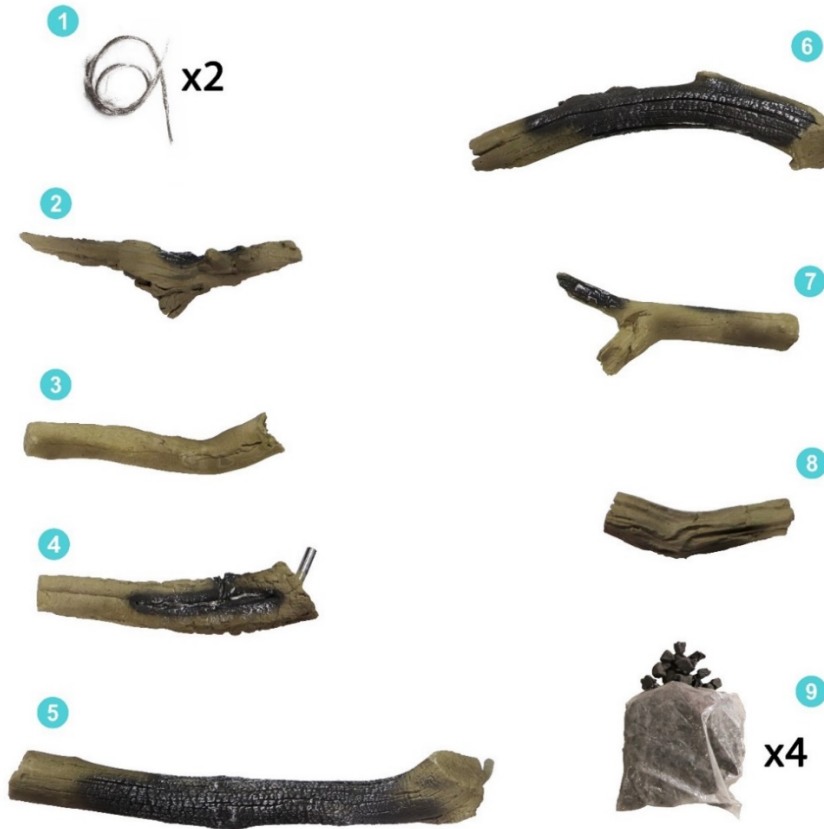
 **WARNING:** The fireplace is not designed to burn real wood. Any attempt to do so could cause irreparable damage to the fireplace and may result in property damage, personal injury and/or loss of life.

## Table of Contents

<b>General</b>	<b>2</b>
Safety Information and Warnings	2
Table of Contents	2
<b>Driftwood Firelog Kit</b>	<b>3</b>
<b>Firelog Setup Instructions</b>	<b>3</b>
Nickle Strand Placement	3
Log Placement	4
Charcoal Placement	6
<b>Log Base Position Adjustment</b>	<b>8</b>
Adjustment Instructions	9
Log Base Aeration	11

# Driftwood Firelog Kit

The following items are included with the Driftwood Firelog set for the Wilderness Front Facing 51 fireplace.



## NOTES:

- Log sets for NG and LP have different SKUs. Please consult the price list to ensure you have the correct SKU. NG logs are not interchangeable with LP logs.
- LP logs do not contain nickel strands inside the logs. NG logs do contain nickel strands.

## Firelog Setup Instructions

Log placement of the Driftwood Firelog Set is crucial for optimal fireplace operation and safety purposes. Logs must be arranged as depicted in this manual. No other arrangement is permitted.

Log placement instructions are the same for natural gas and propane.

### Nickle Strand Placement

Use your fingers to separate the nickel strands (supplied 2x20" long) as shown in the pictures, about 1½" wide.



Left: Nickel strands as supplied | Right: Nickel strands ready to use

## STEP 1

Place nickel strands on top of the burner holes. Keep nickel strands a minimum of 1 inch from the pilot.

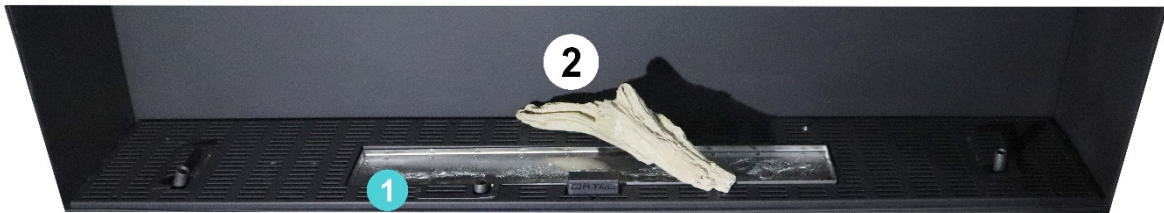


**⚠ WARNING:** For safety and optimal fireplace function, keep 1 inch around the pilot (behind pilot hood) completely clear of any media or debris.

## Log Placement

Arrange logs as shown in the following pictures.

## STEP 2

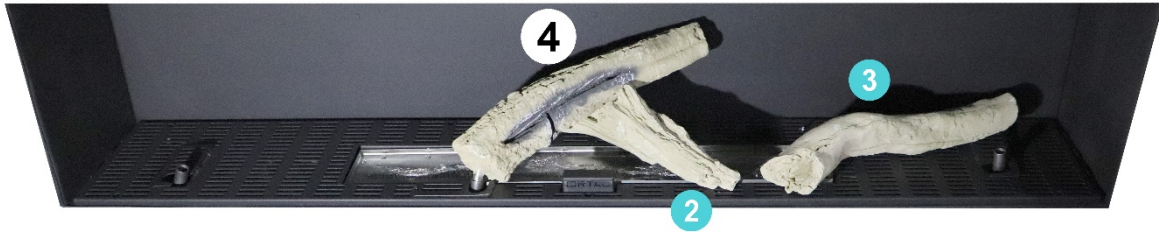


## STEP 3



## STEP 4

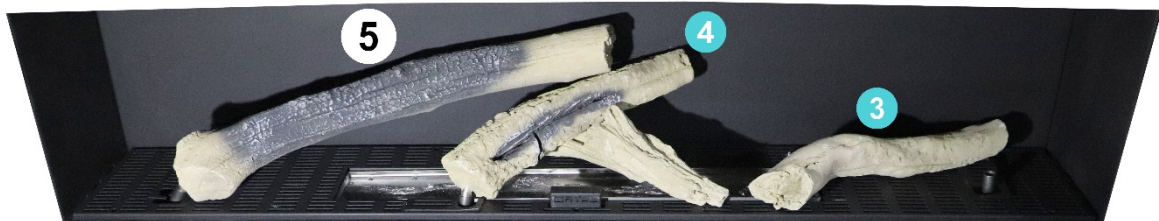
---



The base of log #4 can be adjusted to fit the position shown in pictures above (see “Log Base Position Adjustment” section for details).

## STEP 5

---



The base of log #5 can be adjusted to fit the position shown in pictures above (see “Log Base Position Adjustment” section for details).

## STEP 6

---



The base of log #6 can be adjusted to fit the position shown in the pictures above (see “Log Base Position Adjustment” section for details).

## STEP 7

---



## STEP 8

---



## Charcoal Placement

### STEP 9 (Optional)

Place the charcoals on the burner. Do not cover any burner holes. Maintain minimum 1-inch clearance around the pilot (behind pilot hood).

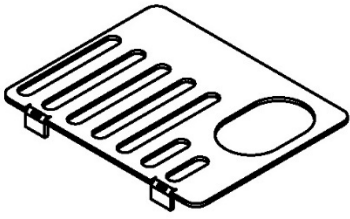


**⚠ WARNING:** For safety and optimal fireplace function, keep 1 inch around the pilot (behind pilot hood) completely clear of any media or debris.

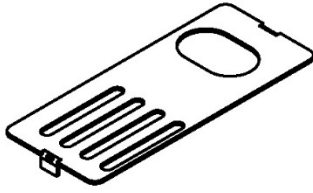


## Log Base Position Adjustment

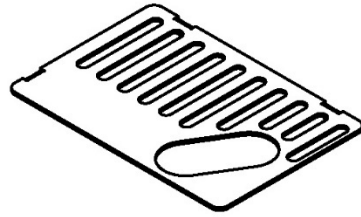
### Parts Included: Grill Covers



Left Grill Cover

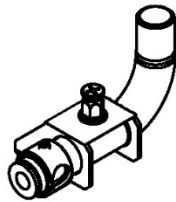


Center Grill Cover

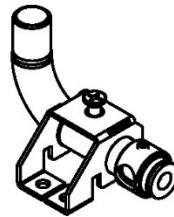


Right Grill Cover

### Parts Included: Log Bases

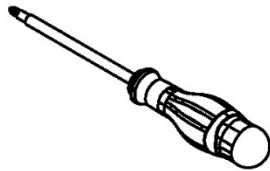


Left/Right Log Base

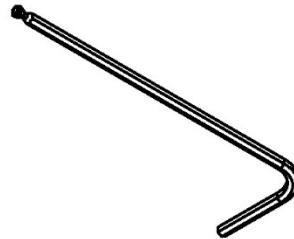


Middle Log Base

### Tools Needed



Phillips Head Screwdriver



2.5 Allen key



## Adjustment Instructions

**!** NOTE: Log base position instructions apply to Front, Corner (RS/LS), and Three Sided models. A Three Sided model is shown for illustrative purposes.

1. Remove the heat barrier and inner glass.
2. Pull the logs up and take them out, as shown in figure (1).

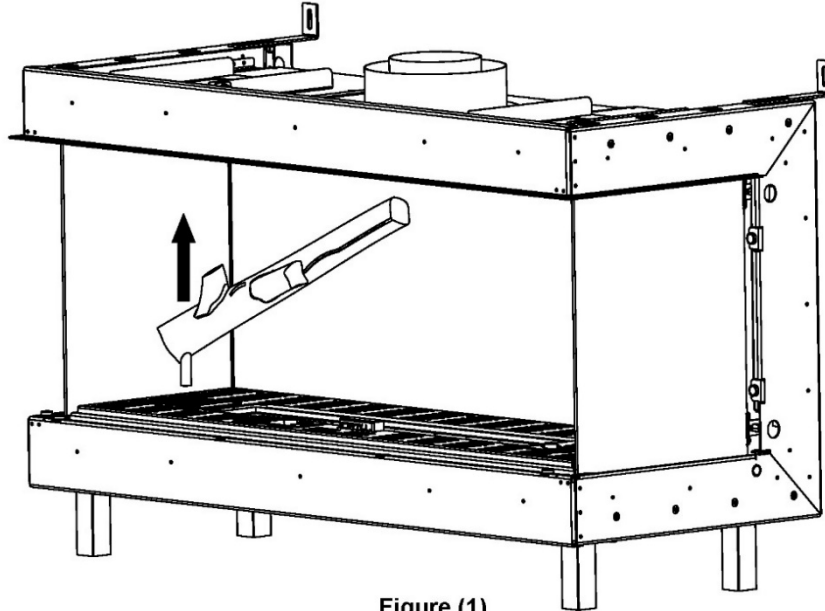


Figure (1)

3. Grab and pull the grill covers and remove as shown in figure (2).

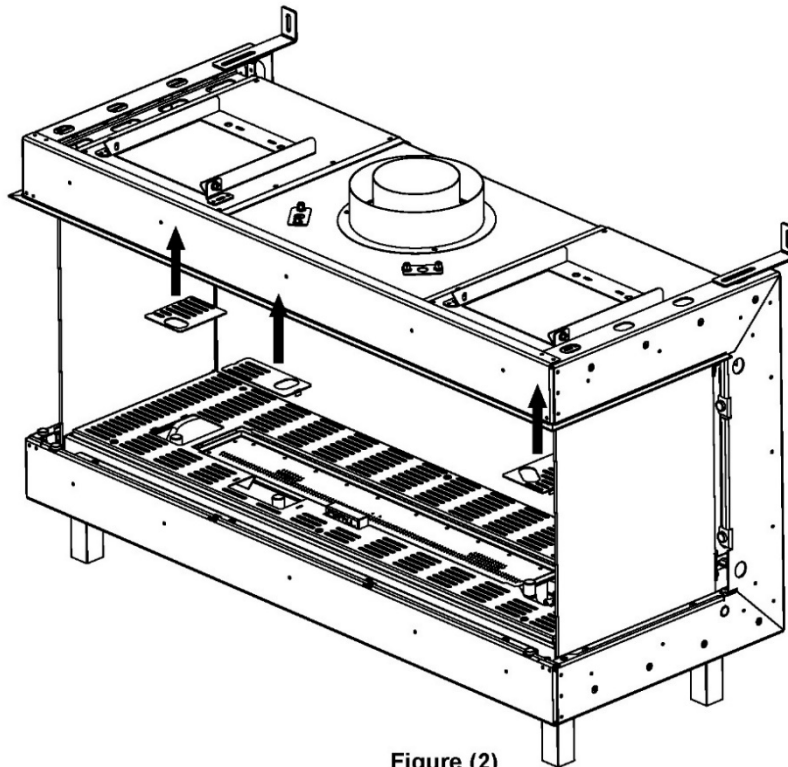


Figure (2)

**!** NOTE: To reassemble the system, perform the above steps in reverse.

4. Using a screwdriver, loosen the log tube screw as shown in figure (3).

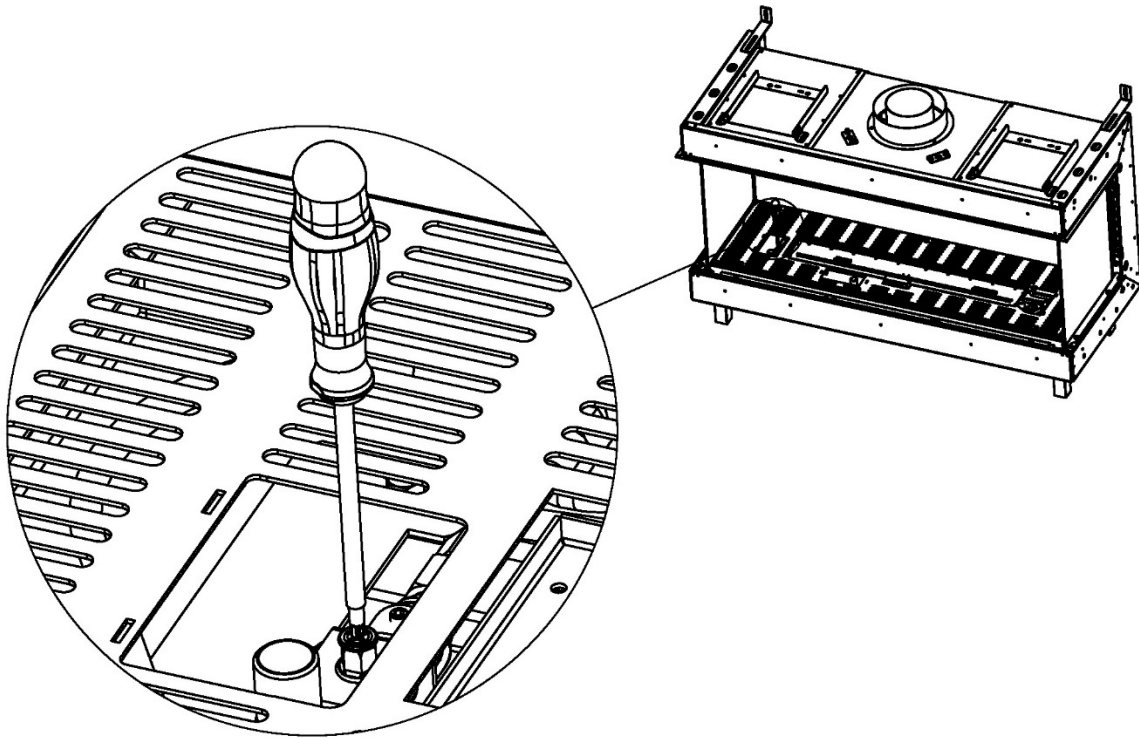


Figure (3)

5. Adjust the orientation as needed, as shown in figure (4), then tighten screw again.

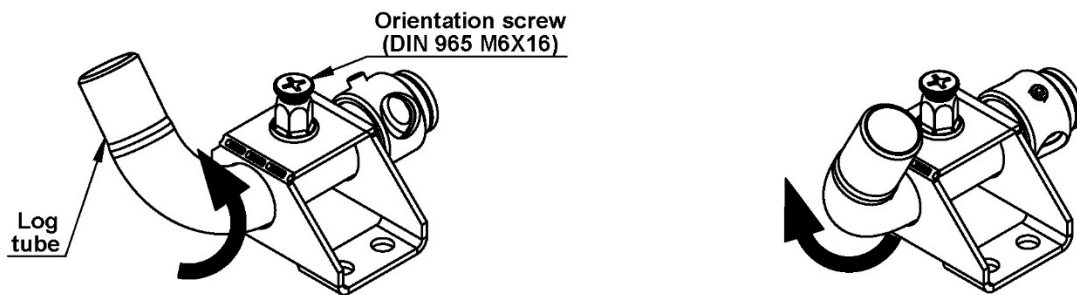


Figure (4)

## Adjusting Log Base Aeration

1. Using (2.5mm allen key) loosen the aeration screw to change its position as shown in figure (1).

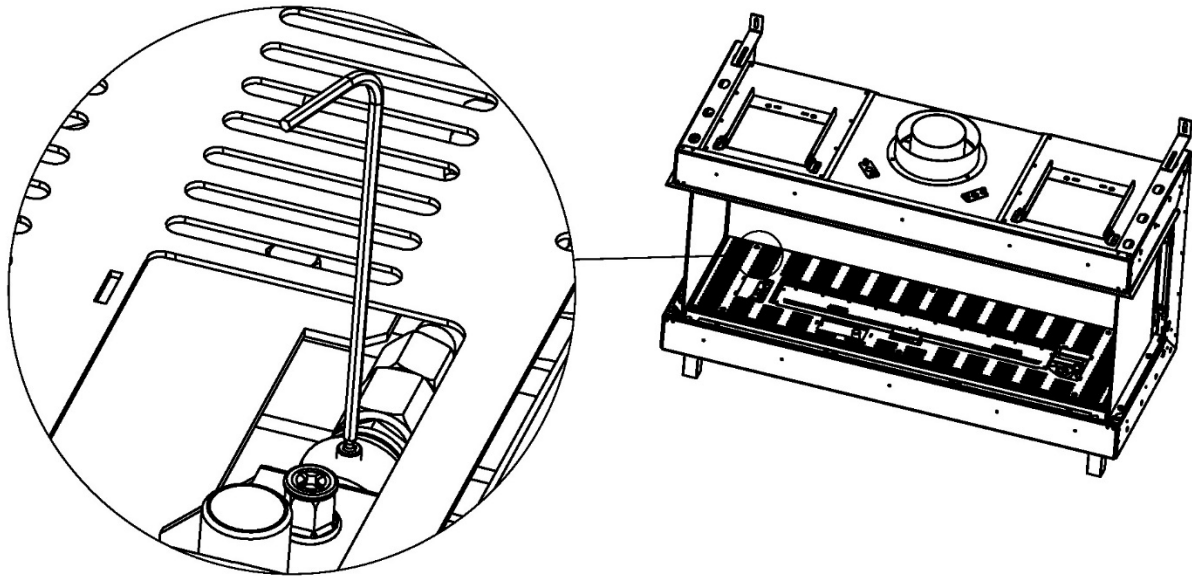


Figure (1)

2. Rotate the venturi to adjust the aeration as shown in figure (2), then tighten the screw again.

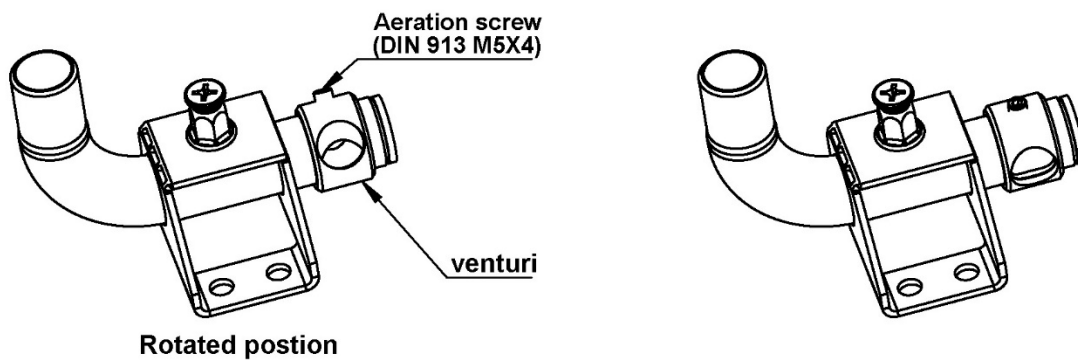


Figure (2)

© Ortal 2021  
Version 1, April 2021  
SKU: KPLOGWIL51FR

Ortal USA  
8421 Canoga Ave Canoga Park, CA 91304  
T: (818) 238-7000 | F: (818) 678-0541  
info@ortalheat.com | www.ortalheat.com