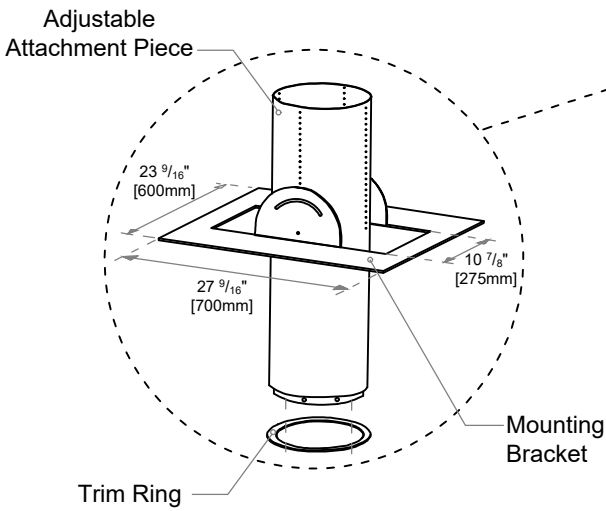




Stand Alone 75x65 Curve Tunnel with Decorative Hood

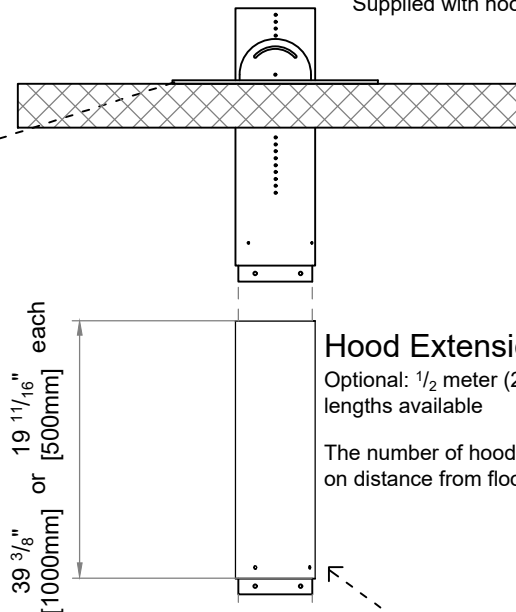
Hanging from a Flat Ceiling

Hanging Bracket Set Components



Hanging Bracket Set

Total Weight: 67 lbs
Supplied with hood

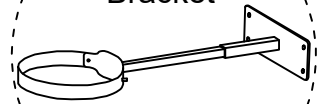


Hood Extension

Optional: 1/2 meter (28 lbs) & 1 meter (56 lbs) lengths available

The number of hood extension pieces depends on distance from floor to ceiling (H).

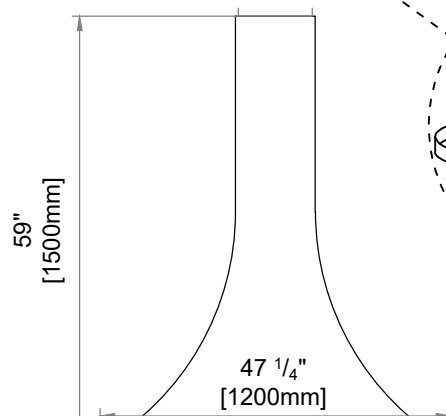
Stabilization Bracket*



*OPTIONAL ITEM
(recommended for ceiling height > 16 feet.)

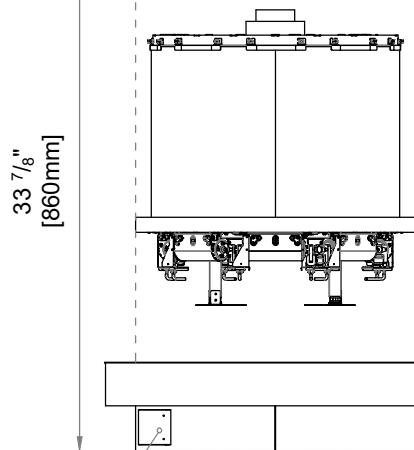
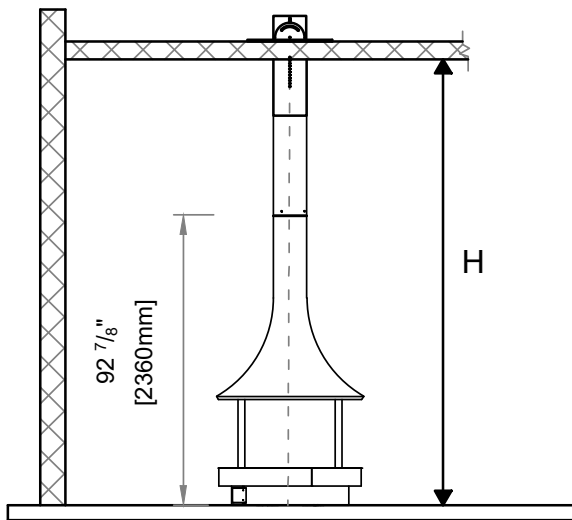
Decorative Hood

Weight: 310 lbs



Stand Alone 75x65 Curve Tunnel Fireplace

Base



Access Panel
Built into base

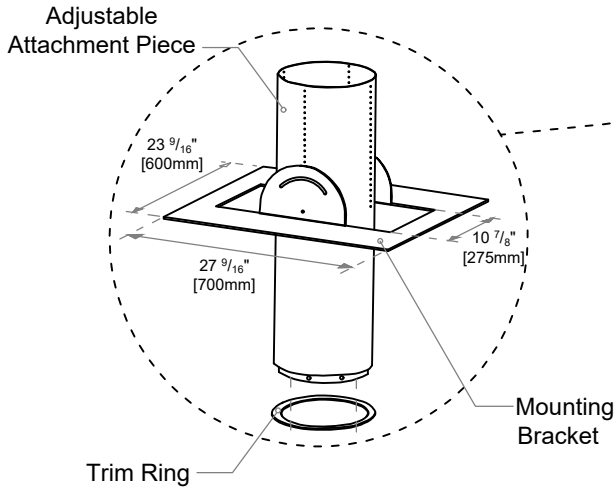
NOTE: Only the hood and extension pieces hang from the ceiling. The fireplace and base mount to the floor. The fireplace must not bear any weight.



Stand Alone 75x65 Curve Tunnel with Decorative Hood

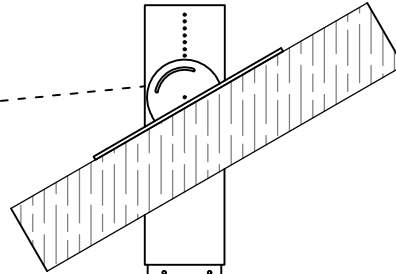
Hanging from a Sloped Ceiling

Hanging Bracket Set Components



Hanging Bracket Set

Total Weight: 67 lbs
Supplied with hood



Hood Extension

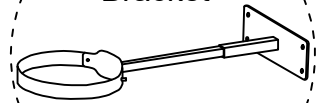
Optional: 1/2 meter (28 lbs) & 1 meter (56 lbs) lengths available

The number of hood extension pieces depends on distance from floor to ceiling (H).

19 ¹¹/₁₆" each [500mm]

39 ³/₈" [1000mm]

Stabilization Bracket*

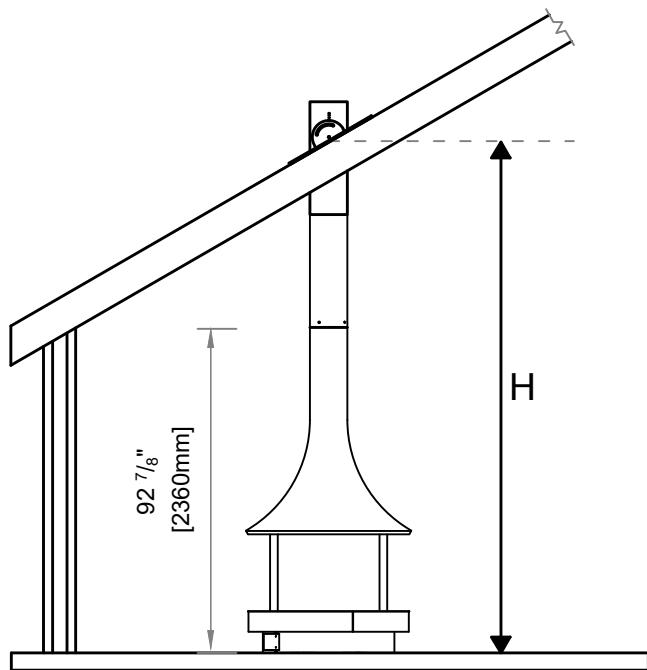


*CUSTOM OPTIONAL ITEM
(recommended for ceiling height > 16 feet.)

59" [1500mm]

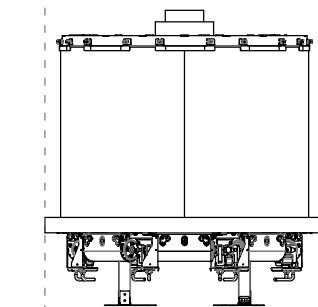
47 ¹/₄" [1200mm]

Decorative Hood
Weight: 310 lbs

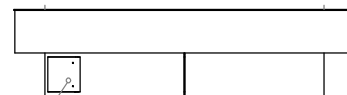


33 ⁷/₈" [860mm]

Stand Alone
75x65 Curve
Tunnel Fireplace



Base



Access Panel
Built into base

NOTE: Only the hood and extension pieces hang from the ceiling. The fireplace and base mount to the floor. The fireplace must not bear any weight.