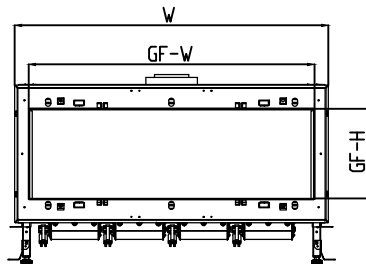


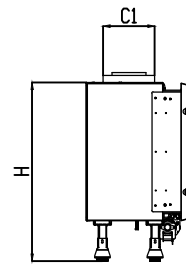


Manufacturer Update - Fireplace Legs Modification
 Manufacturer Effective Date: March 20th 2018
 Serial Number Forward #15275

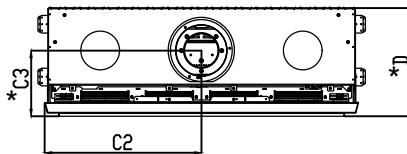
110-200 Front Framing Information



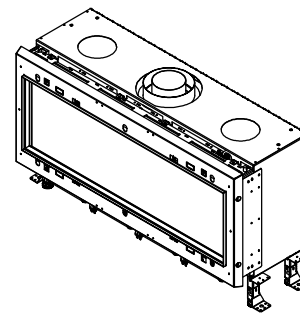
Front View



Side View



Top View

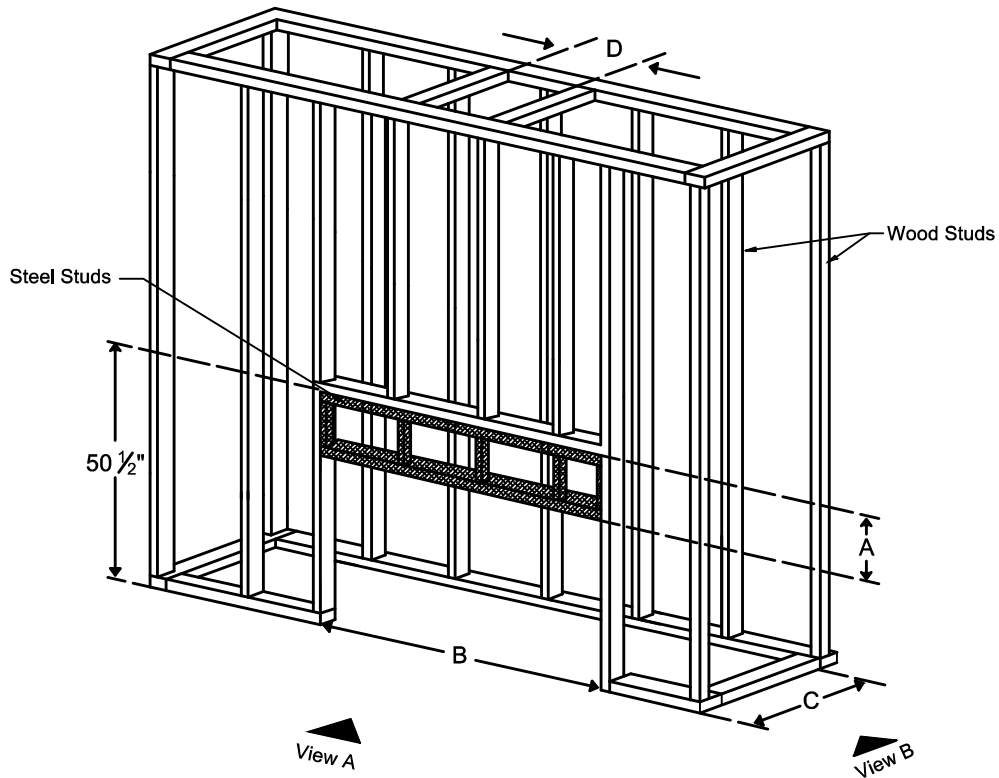


Model	(H) Height	(W) Width	(D) Depth	C1	C2	C3	Glass Opening	
							(GF) Front	(GS) Side
110	27 ¼"	47 ⅞"	16 ⅞"	7 ⅞"	23 15/16"	10"	43 5/8" W X 13 ¾" H	—
130	27 ¼"	54 ⅞"	16 ⅞"	7 ⅞"	27 5/16"	10"	50 5/16" W X 13 ¾" H	—
150	27 ¼"	64 7/16"	16 ⅞"	7 ⅞"	32 3/16"	10"	60 3/16" W X 13 ¾" H	—
170	27 ¼"	72 5/16"	16 ⅞"	7 ⅞"	36 1/8"	10"	68 1/16" W X 13 ¾" H	—
200	27 ¼"	81 ¾"	16 ⅞"	7 ⅞"	40 7/8"	10"	77 ½" W X 13 ¾" H	—

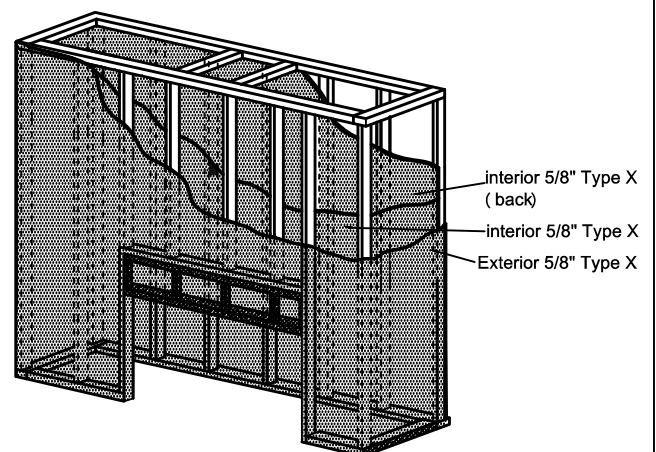
* Dimensions includes ½" lip (for drywall)

- Note :
1. Drawings are not to Scale
 2. All dimensions in inches
 3. The dimensions are both for Double Glass and Protective Screen

110-200 Front Framing Information



Model	A	B	C	D
110	22 3/8"	53 1/8"	18 1/16"	10"
130	22 3/8"	59 13/16"	18 1/16"	10"
150	22 3/8"	69 1/16"	18 1/16"	10"
170	22 3/8"	77 9/16"	18 1/16"	10"
200	22 3/8"	87"	18 1/16"	10"



Note : 1. Drawings are not to Scale
2. All dimensions in inches
3. The dimensions are both for Double Glass and Protective Screen

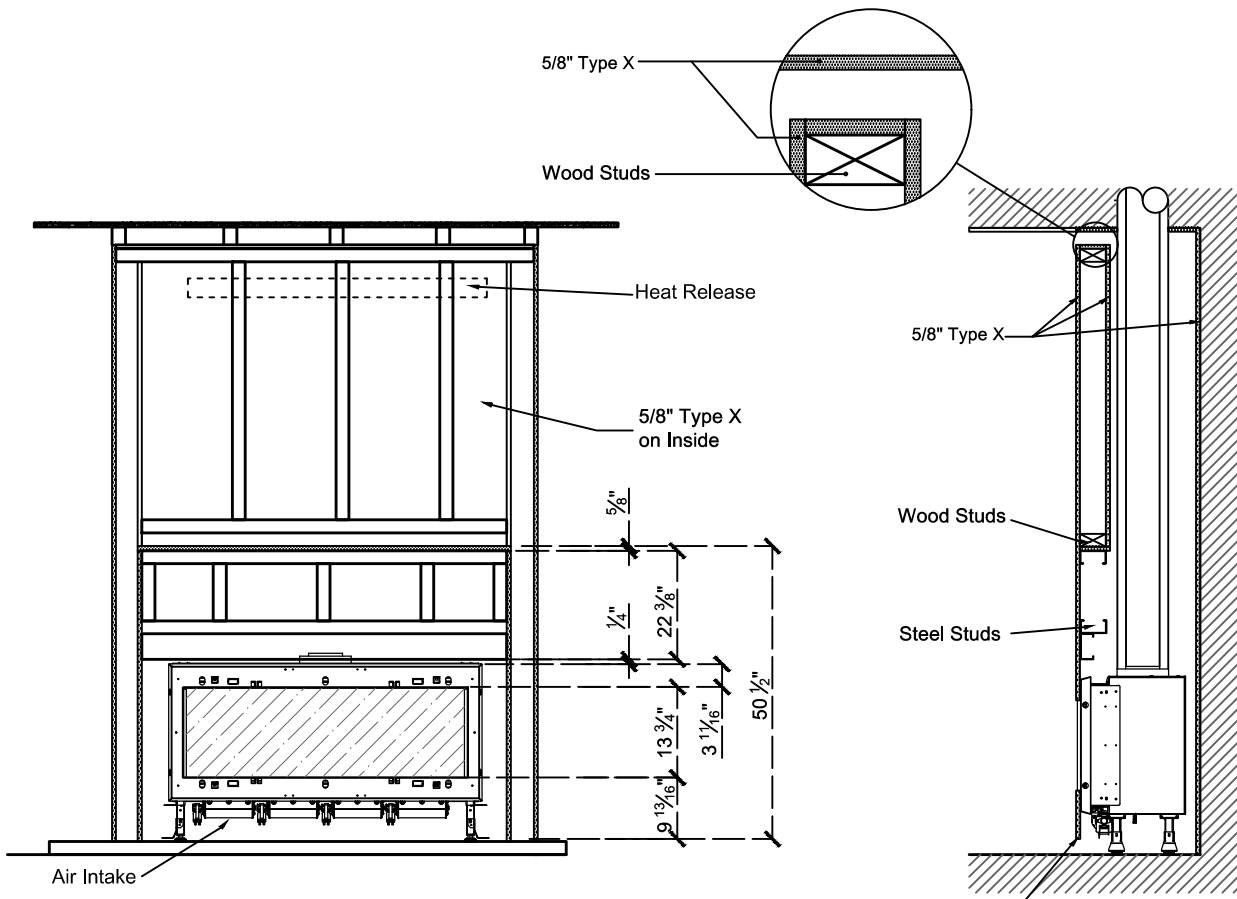
LEGEND

- 5/8" Type X
- Steel
- Wood
- Glass
- Wood Studs
- Steel Studs



Manufacturer Update - Fireplace Legs Modification
 Manufacturer Effective Date: March 20th 2018
 Serial Number Forward #15275

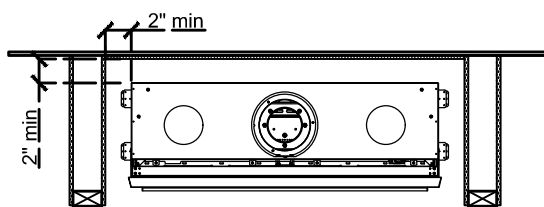
110-200 Front Framing Information



View A

View B

Add Drywall nailer as needed maintain 2" clearance to any part of Fireplace



Top View

Clearance 2" from each side to non combustible material

The valve can be moved 36" - 40" from the center of the fireplace in any direction

- Note :**
1. Drawings are not to Scale
 2. All dimensions in inches
 3. The dimensions are both for Double Glass and Protective Screen