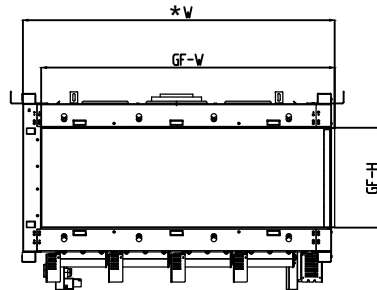
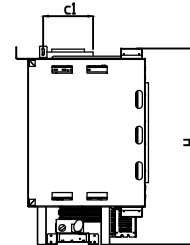


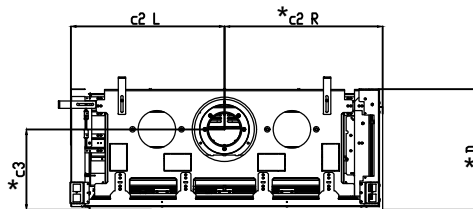
## 110-250 Right side /Left side Double Glass/Protective Screen - Flush



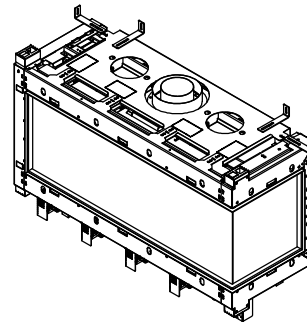
Front View



Side View



Top View



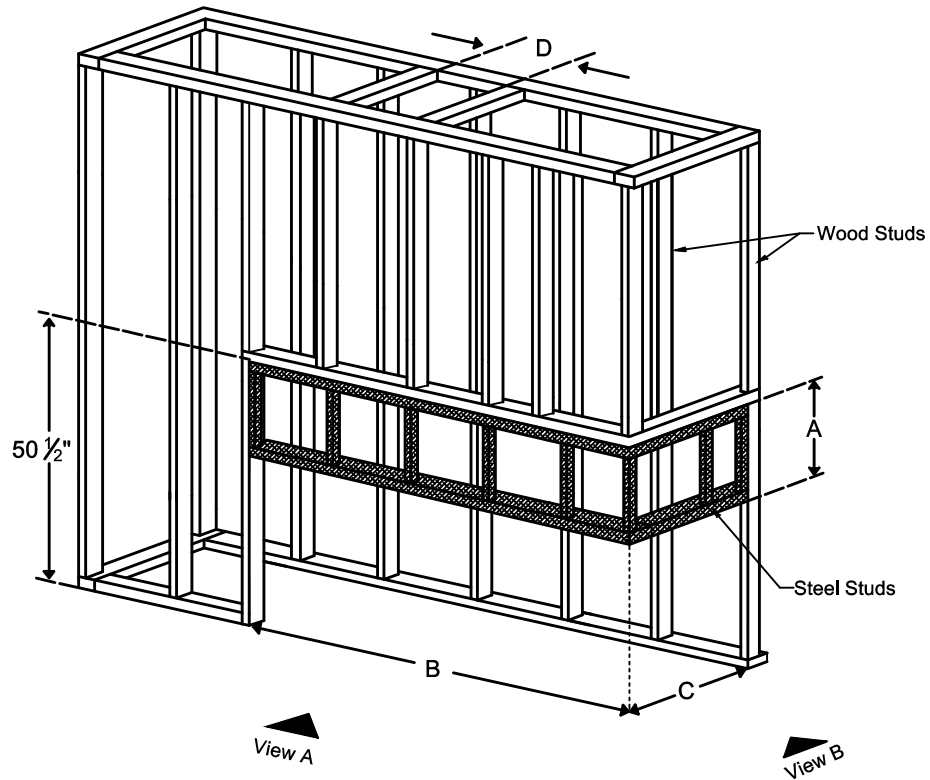
- Note :** 1. on RS/LS Units C2 dimension is measured from glass side to the center of flue  
2. This drawing shows RS units. for LS units swap between C2 L and C2 R dimension

Model	(H) Height	(W) Width	(D) Depth	C1	C2 L	C2 R	C3	Glass Opening	
								(GF) Front	(GS) Side
110	30 <sup>7</sup> / <sub>8</sub> "	49 <sup>1</sup> / <sub>4</sub> "	19 <sup>1</sup> / <sub>16</sub> "	7 <sup>7</sup> / <sub>8</sub> "	24 <sup>5</sup> / <sub>16</sub> "	24 <sup>15</sup> / <sub>16</sub> "	12 <sup>1</sup> / <sub>16</sub> "	46 <sup>5</sup> / <sub>16</sub> " W X 15 <sup>3</sup> / <sub>4</sub> " H	16 <sup>1</sup> / <sub>4</sub> " W X 15 <sup>3</sup> / <sub>4</sub> " H
130	30 <sup>7</sup> / <sub>8</sub> "	55 <sup>7</sup> / <sub>8</sub> "	19 <sup>1</sup> / <sub>16</sub> "	7 <sup>7</sup> / <sub>8</sub> "	27 <sup>9</sup> / <sub>16</sub> "	28 <sup>5</sup> / <sub>16</sub> "	12 <sup>1</sup> / <sub>16</sub> "	53" W X 15 <sup>3</sup> / <sub>4</sub> " H	16 <sup>1</sup> / <sub>4</sub> " W X 15 <sup>3</sup> / <sub>4</sub> " H
150	30 <sup>7</sup> / <sub>8</sub> "	65 <sup>3</sup> / <sub>4</sub> "	19 <sup>1</sup> / <sub>16</sub> "	7 <sup>7</sup> / <sub>8</sub> "	32 <sup>1</sup> / <sub>2</sub> "	33 <sup>1</sup> / <sub>4</sub> "	12 <sup>1</sup> / <sub>16</sub> "	62 <sup>13</sup> / <sub>16</sub> " W X 15 <sup>3</sup> / <sub>4</sub> " H	16 <sup>1</sup> / <sub>4</sub> " W X 15 <sup>3</sup> / <sub>4</sub> " H
170	30 <sup>7</sup> / <sub>8</sub> "	73 <sup>5</sup> / <sub>8</sub> "	19 <sup>1</sup> / <sub>16</sub> "	7 <sup>7</sup> / <sub>8</sub> "	36 <sup>7</sup> / <sub>16</sub> "	37 <sup>3</sup> / <sub>16</sub> "	12 <sup>1</sup> / <sub>16</sub> "	70 <sup>1</sup> / <sub>16</sub> " W X 15 <sup>3</sup> / <sub>4</sub> " H	16 <sup>1</sup> / <sub>4</sub> " W X 15 <sup>3</sup> / <sub>4</sub> " H
200	30 <sup>7</sup> / <sub>8</sub> "	83 <sup>1</sup> / <sub>16</sub> "	19 <sup>1</sup> / <sub>16</sub> "	7 <sup>7</sup> / <sub>8</sub> "	41 <sup>3</sup> / <sub>16</sub> "	41 <sup>7</sup> / <sub>8</sub> "	12 <sup>1</sup> / <sub>16</sub> "	80 <sup>3</sup> / <sub>16</sub> " W X 15 <sup>3</sup> / <sub>4</sub> " H	16 <sup>1</sup> / <sub>4</sub> " W X 15 <sup>3</sup> / <sub>4</sub> " H
250	30 <sup>7</sup> / <sub>8</sub> "	102 <sup>3</sup> / <sub>4</sub> "	19 <sup>1</sup> / <sub>16</sub> "	7 <sup>7</sup> / <sub>8</sub> "	51"	51 <sup>3</sup> / <sub>4</sub> "	12 <sup>1</sup> / <sub>16</sub> "	99 <sup>3</sup> / <sub>16</sub> " W X 15 <sup>3</sup> / <sub>4</sub> " H	16 <sup>1</sup> / <sub>4</sub> " W X 15 <sup>3</sup> / <sub>4</sub> " H

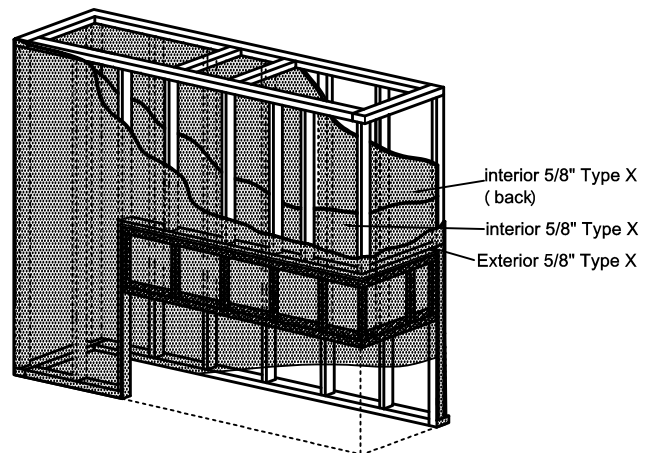
\* Dimensions includes <sup>1</sup>/<sub>2</sub>" lip ( for drywall)

- Note :** 1. Drawings are not to Scale  
2. All dimensions in inches  
3. The dimensions are both for Double Glass and Protective Screen

**110-250 Right side /Left side Double Glass/Protective Screen - Flush**



Model	A	B	C	D
110	18 3/4"	51 3/8"	21 3/16"	10"
130	18 3/4"	58"	21 3/16"	10"
150	18 3/4"	67 7/8"	21 3/16"	10"
170	18 3/4"	75 3/4"	21 3/16"	10"
200	18 3/4"	85 3/16"	21 3/16"	10"
250	18 3/4"	104 7/8"	21 3/16"	10"

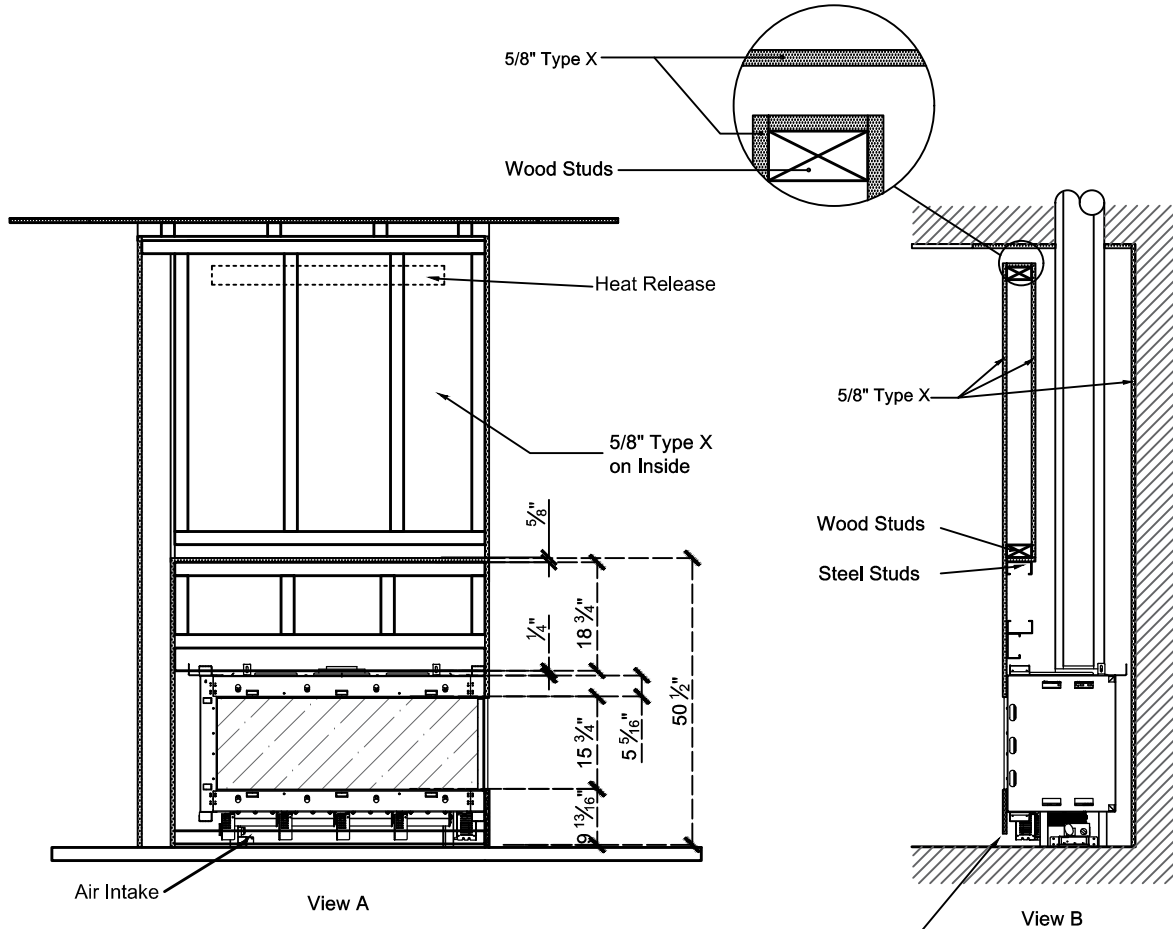


**Note :** 1. Drawings are not to Scale  
2. All dimensions in inches  
3. The dimensions are both for Double Glass and Protective Screen

**LEGEND**

-  5/8" Type X
-  Steel
-  Wood
-  Glass
-  Wood Studs
-  Steel Studs

**110-250 Right side /Left side Double Glass/Protective Screen - Flush**



Add Drywall nailer as needed maintain 2" clearance to any part of Fireplace

Clearance 2" from each side to non combustible material

The valve can be moved 36" - 40" from the center of the fireplace in any direction

- Note :**
1. Drawings are not to Scale
  2. All dimensions in inches
  3. The dimensions are both for Double Glass and Protective Screen