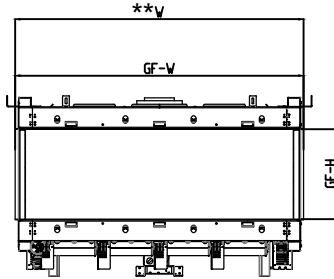
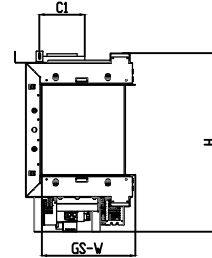


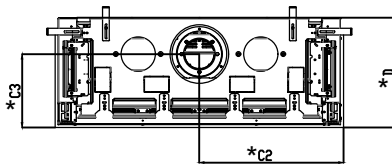
110-250 Three side Double Glass/Protective Screen - Flush



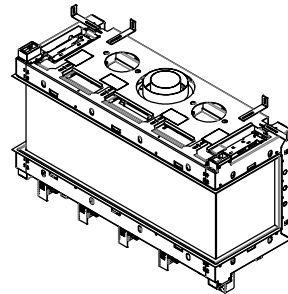
Front View



Side View



Top View



Model	(H) Height	(W) Width	(D) Depth	C1	C2	C3	Glass Opening	
							(GF) Front	(GS) Side
110	30 ⁷ / ₈ "	49 ¹⁵ / ₁₆ "	19 ¹ / ₁₆ "	7 ⁷ / ₈ "	24 ¹⁵ / ₁₆ "	12 ¹ / ₁₆ "	49 ¹⁵ / ₁₆ " W X 15 ³ / ₄ " H	16 ¹ / ₄ " W X 15 ³ / ₄ " H
130	30 ⁷ / ₈ "	56 ⁵ / ₈ "	19 ¹ / ₁₆ "	7 ⁷ / ₈ "	28 ⁵ / ₁₅ "	12 ¹ / ₁₆ "	56 ⁵ / ₈ " W X 15 ³ / ₄ " H	16 ¹ / ₄ " W X 15 ³ / ₄ " H
150	30 ⁷ / ₈ "	66 ⁷ / ₁₆ "	19 ¹ / ₁₆ "	7 ⁷ / ₈ "	33 ¹ / ₄ "	12 ¹ / ₁₆ "	66 ⁷ / ₁₆ " W X 15 ³ / ₄ " H	16 ¹ / ₄ " W X 15 ³ / ₄ " H
170	30 ⁷ / ₈ "	74 ⁵ / ₁₆ "	19 ¹ / ₁₆ "	7 ⁷ / ₈ "	37 ³ / ₁₆ "	12 ¹ / ₁₆ "	74 ⁵ / ₁₆ " W X 15 ³ / ₄ " H	16 ¹ / ₄ " W X 15 ³ / ₄ " H
200	30 ⁷ / ₈ "	83 ³ / ₄ "	19 ¹ / ₁₆ "	7 ⁷ / ₈ "	41 ⁷ / ₈ "	12 ¹ / ₁₆ "	83 ³ / ₄ " W X 15 ³ / ₄ " H	16 ¹ / ₄ " W X 15 ³ / ₄ " H
250	30 ⁷ / ₈ "	103 ⁷ / ₁₆ "	19 ¹ / ₁₆ "	7 ⁷ / ₈ "	51 ³ / ₄ "	12 ¹ / ₁₆ "	103 ⁷ / ₁₆ " W X 15 ³ / ₄ " H	16 ¹ / ₄ " W X 15 ³ / ₄ " H

* Dimensions includes ¹/₂" lip (for drywall)

** Dimensions includes 2 X ¹/₂" lip (for drywall)

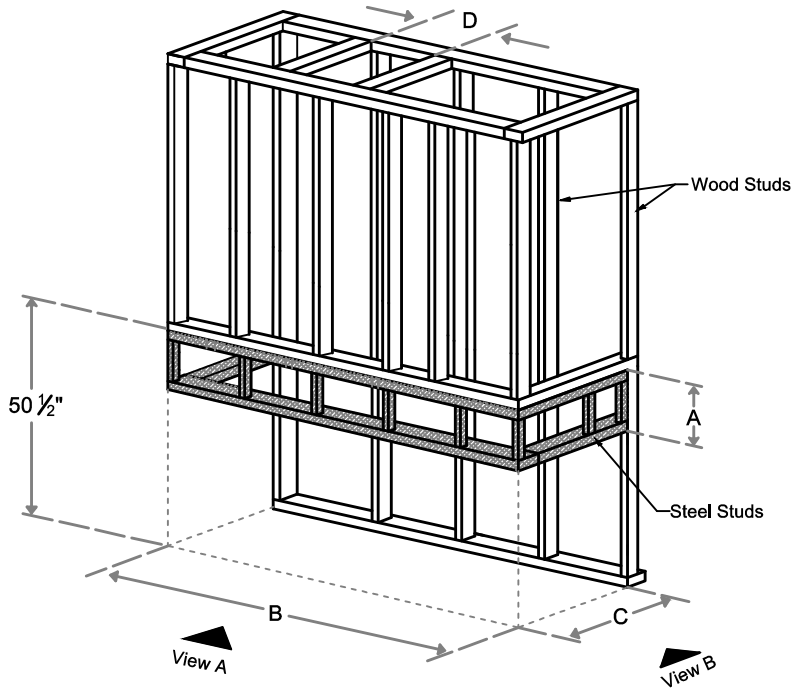
Note : 1. Drawings are not to Scale

2. All dimensions in inches

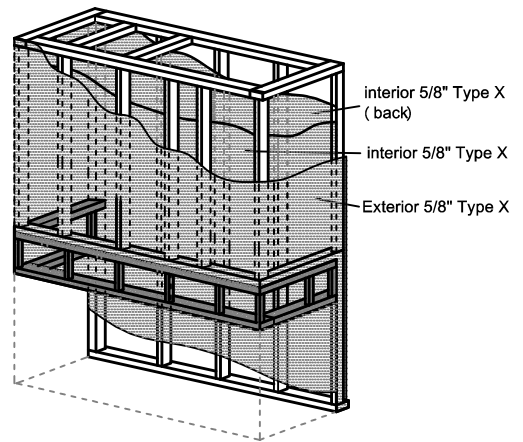
3. The dimensions are both for

Double Glass and Protective Screen

110-250 Three side Double Glass/Protective Screen - Flush



Model	A	B	C	D
110	18 3/4"	48 15/16"	21 3/16"	10"
130	18 3/4"	55 5/8"	21 3/16"	10"
150	18 3/4"	65 7/16"	21 3/16"	10"
170	18 3/4"	73 5/16"	21 3/16"	10"
200	18 3/4"	82 3/4"	21 3/16"	10"
250	18 3/4"	102 7/16"	21 3/16"	10"

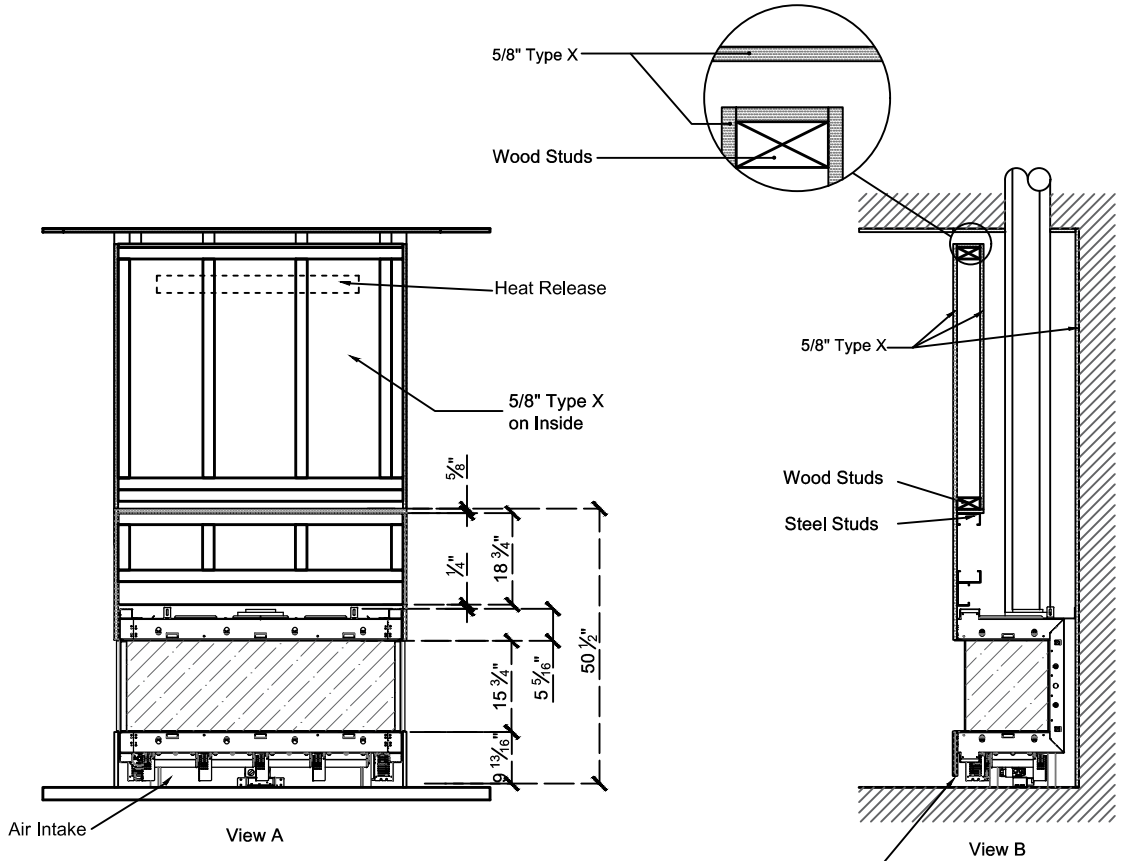


Note : 1. Drawings are not to Scale
2. All dimensions in inches
3. The dimensions are both for Double Glass and Protective Screen

LEGEND

	5/8" Type X		Steel		Wood
	Glass		Wood Studs		Steel Studs

110-250 Three side Double Glass/Protective Screen - Flush



Add Drywall nailer as needed maintain 2" clearance to any part of Fireplace

Clearance 2" from each side to non combustible material

The valve can be moved 36" - 40" from the center of the fireplace in any direction

- Note :
1. Drawings are not to Scale
 2. All dimensions in inches
 3. The dimensions are both for Double Glass and Protective Screen