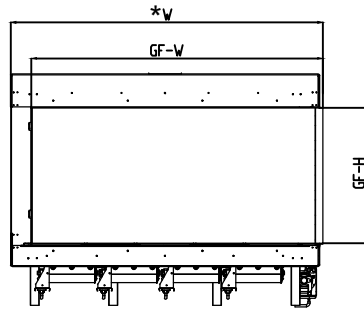


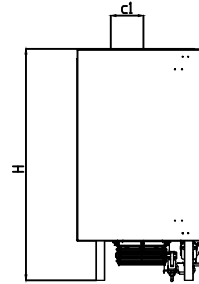


**Manufacturer Update - Fireplace Legs Modification**  
 Manufacturer Effective Date: March 20<sup>th</sup> 2018  
 Serial Number Forward #15275

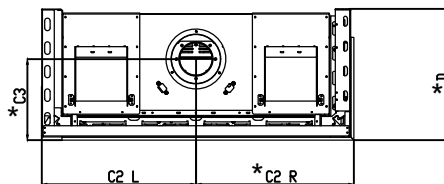
### 110H-250H Corner Framing Information



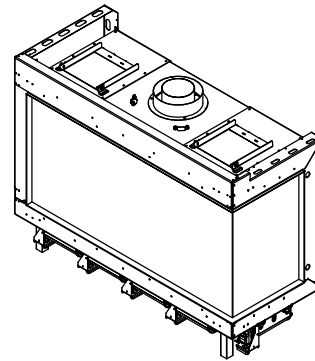
Front View



Side View



Top View



- Note : 1. on RS/LS Units C2 dimension is measured from glass side to the center of flue  
 2. This drawing shows RS units. for LS units swap between C2 L and C2 R dimension

Model	(H) Height	(W) Width	(D) Depth	C1	C2 L	C2 R	C3	Glass Opening	
								(GF) Front	(GS) Side
110 H	36 5/8"	49 7/16"	20 3/4"	7 7/8"	24 7/16"	25"	12 13/16"	46 3/16" W X 21 5/8" H	16 1/4" W X 21 5/8" H
130 H	36 5/8"	56 1/8"	20 3/4"	7 7/8"	27 13/16"	28 5/16"	12 13/16"	52 7/8" W X 21 5/8" H	16 1/4" W X 21 5/8" H
150 H	36 5/8"	65 15/16"	20 3/4"	7 7/8"	32 11/16"	33 1/4"	12 13/16"	62 3/4" W X 21 5/8" H	16 1/4" W X 21 5/8" H
170 H	36 5/8"	73 13/16"	20 3/4"	7 7/8"	36 5/8"	37 3/16"	12 13/16"	70 5/8" W X 21 5/8" H	16 1/4" W X 21 5/8" H
200 H	36 5/8"	83 5/16"	20 3/4"	7 7/8"	41 3/8"	41 15/16"	12 13/16"	80 1/16" W X 21 5/8" H	16 1/4" W X 21 5/8" H
250 H	36 5/8"	103"	20 3/4"	7 7/8"	51 1/4"	51 3/4"	12 13/16"	99 3/4" W X 21 5/8" H	16 1/4" W X 21 5/8" H

\* Dimensions includes 1/2" lip ( for drywall)

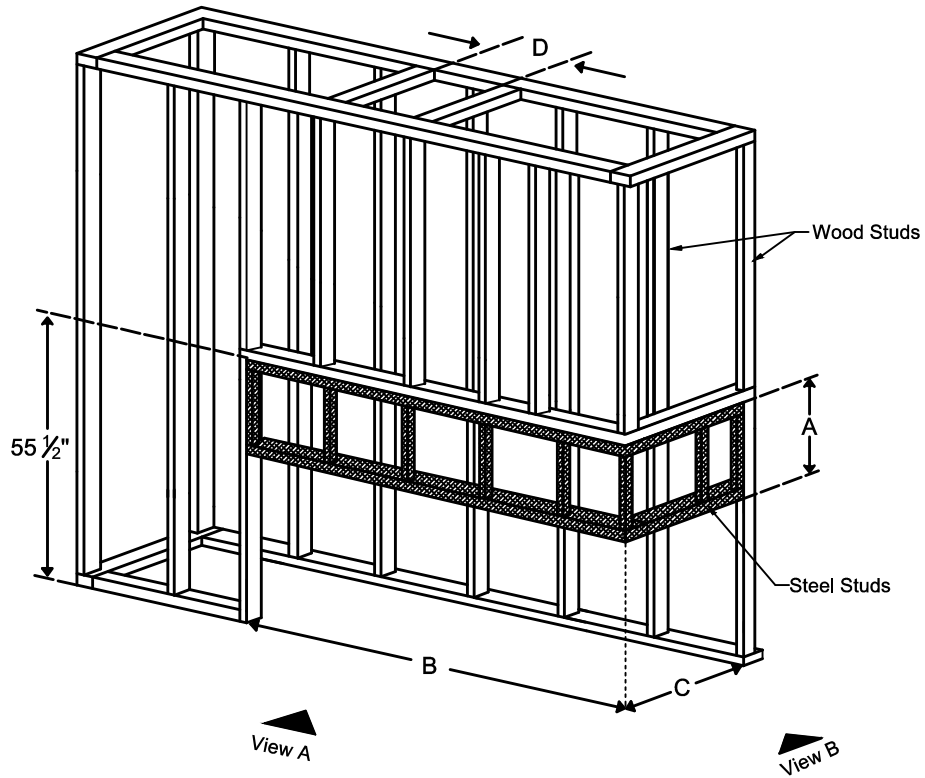
- Note : 1. Drawings are not to Scale  
 2. All dimensions in inches  
 3. The dimensions are both for Double Glass and Protective Screen

Note: Framing information applies to RS & LS models.  
 Diagram shows RS only. Mirror framing for LS model.

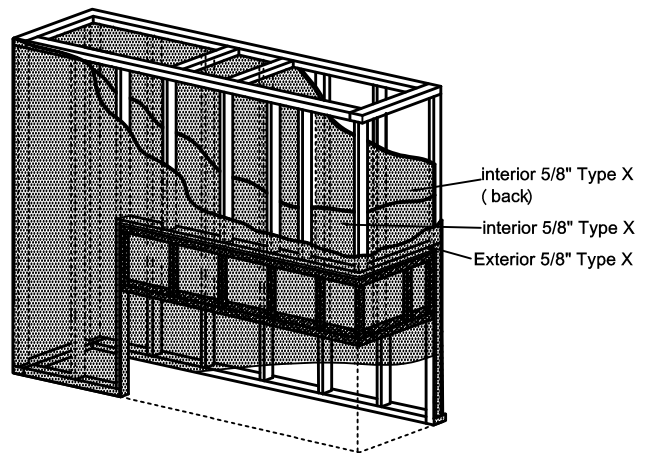


**Manufacturer Update - Fireplace Legs Modification**  
 Manufacturer Effective Date: March 20<sup>th</sup> 2018  
 Serial Number Forward #15275

### 110H-250H Corner Framing Information



Model	A	B	C	D
110 H	18"	51 <sup>9</sup> / <sub>16</sub> "	22 <sup>7</sup> / <sub>8</sub> "	10"
130 H	18"	58 <sup>1</sup> / <sub>4</sub> "	22 <sup>7</sup> / <sub>8</sub> "	10"
150 H	18"	68 <sup>1</sup> / <sub>16</sub> "	22 <sup>7</sup> / <sub>8</sub> "	10"
170 H	18"	75 <sup>15</sup> / <sub>16</sub> "	22 <sup>7</sup> / <sub>8</sub> "	10"
200 H	18"	85 <sup>7</sup> / <sub>16</sub> "	22 <sup>7</sup> / <sub>8</sub> "	10"
250 H	18"	105 <sup>3</sup> / <sub>16</sub> "	22 <sup>7</sup> / <sub>8</sub> "	10"



**Note :** 1. Drawings are not to Scale  
 2. All dimensions in inches  
 3. The dimensions are both for Double Glass and Protective Screen

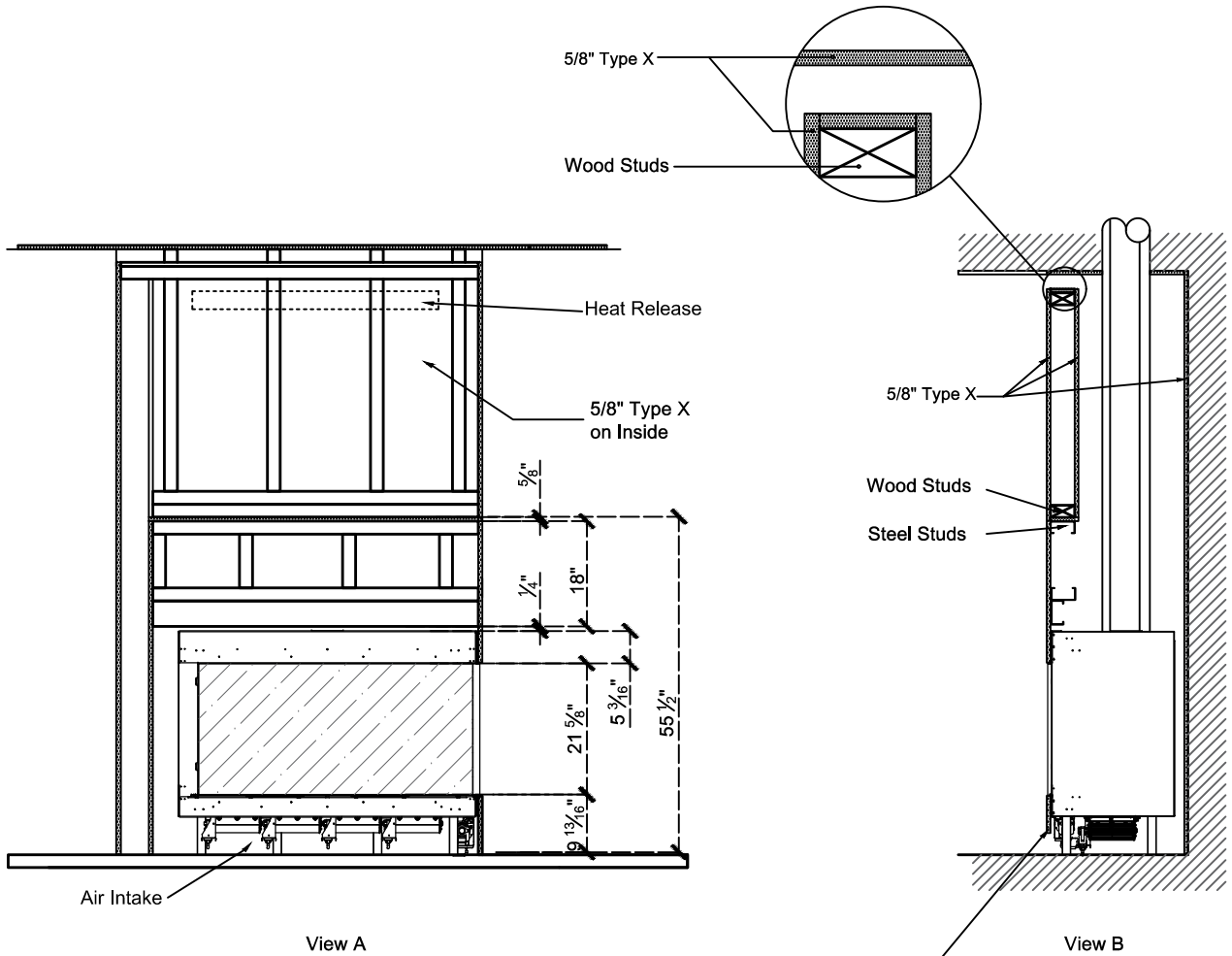
**LEGEND**

-  5/8" Type X
-  Steel
-  Wood
-  Glass
-  Wood Studs
-  Steel Studs

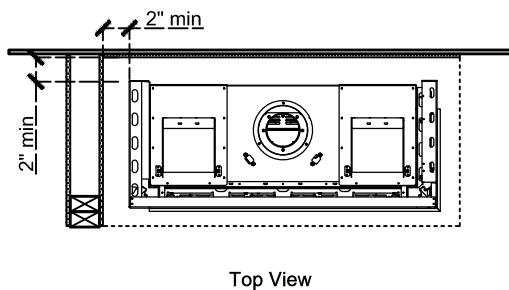


**Manufacturer Update - Fireplace Legs Modification**  
 Manufacturer Effective Date: March 20<sup>th</sup> 2018  
 Serial Number Forward #15275

### 110H-250H Corner Framing Information



Add Drywall nailer as needed maintain 2" clearance to any part of Fireplace



Clearance 2" from each side to non combustible material

The valve can be moved 36" - 40" from the center of the fireplace in any direction

- Note :**
1. Drawings are not to Scale
  2. All dimensions in inches
  3. The dimensions are both for Double Glass and Protective Screen