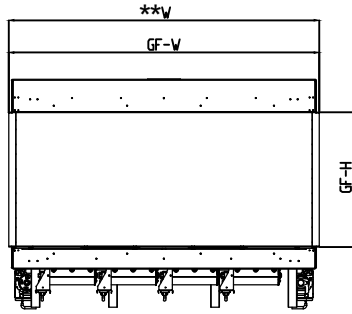
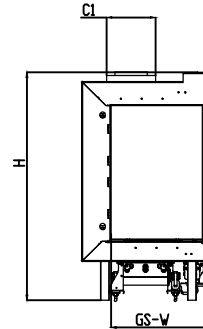


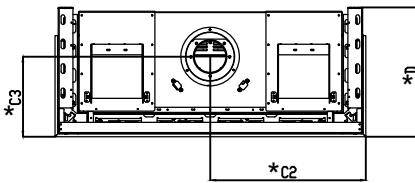
110H - 250H Three side Double Glass/Protective Screen - Flush



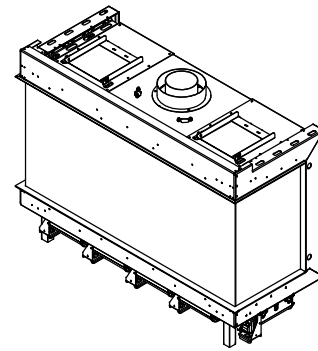
Front View



Side View



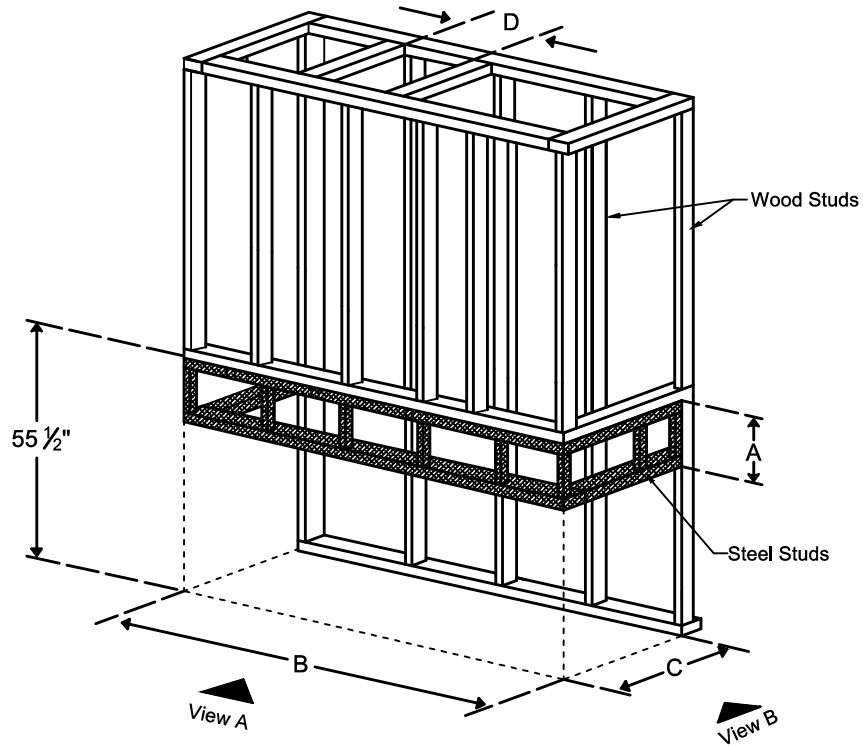
Top View



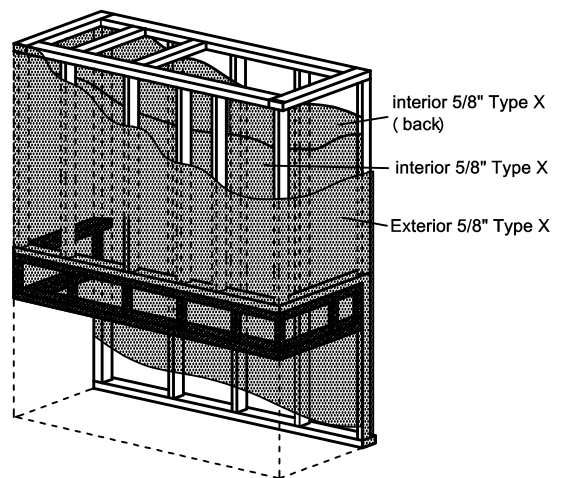
Model	(H) Height	(W) Width	(D) Depth	C1	C2	C3	Glass Opening	
							(GF) Front	(GS) Side
110 H	36 ⁹ / ₁₆ "	49 ¹⁵ / ₁₆ "	20 ³ / ₄ "	7 ⁷ / ₈ "	25"	12 ¹³ / ₁₆ "	49 ¹⁵ / ₁₆ " W X 21 ⁵ / ₈ " H	16 ¹ / ₄ " W X 21 ⁵ / ₈ " H
130 H	36 ⁹ / ₁₆ "	56 ⁵ / ₈ "	20 ³ / ₄ "	7 ⁷ / ₈ "	28 ⁵ / ₁₆ "	12 ¹³ / ₁₆ "	56 ⁵ / ₈ " W X 21 ⁵ / ₈ " H	16 ¹ / ₄ " W X 21 ⁵ / ₈ " H
150 H	36 ⁹ / ₁₆ "	66 ⁷ / ₁₆ "	20 ³ / ₄ "	7 ⁷ / ₈ "	33 ¹ / ₄ "	12 ¹³ / ₁₆ "	66 ⁷ / ₁₆ " W X 21 ⁵ / ₈ " H	16 ¹ / ₄ " W X 21 ⁵ / ₈ " H
170 H	36 ⁹ / ₁₆ "	74 ⁵ / ₁₆ "	20 ³ / ₄ "	7 ⁷ / ₈ "	37 ³ / ₁₆ "	12 ¹³ / ₁₆ "	74 ⁵ / ₁₆ " W X 21 ⁵ / ₈ " H	16 ¹ / ₄ " W X 21 ⁵ / ₈ " H
200 H	36 ⁹ / ₁₆ "	83 ³ / ₄ "	20 ³ / ₄ "	7 ⁷ / ₈ "	41 ¹⁵ / ₁₆ "	12 ¹³ / ₁₆ "	83 ³ / ₄ " W X 21 ⁵ / ₈ " H	16 ¹ / ₄ " W X 21 ⁵ / ₈ " H
250 H	36 ⁹ / ₁₆ "	103 ⁷ / ₁₆ "	20 ³ / ₄ "	7 ⁷ / ₈ "	51 ³ / ₄ "	12 ¹³ / ₁₆ "	103 ⁷ / ₁₆ " W X 21 ⁵ / ₈ " H	16 ¹ / ₄ " W X 21 ⁵ / ₈ " H

* Dimensions includes ¹/₂" lip (for drywall)
 ** Dimensions includes 2 X ¹/₂" lip (for drywall)
 Note : 1. Drawings are not to Scale
 2. All dimensions in inches
 3. The dimensions are both for
 Double Glass and Protective Screen

110H - 250H Three side Double Glass/Protective Screen - Flush



Model	A	B	C	D
110 H	18 $\frac{1}{16}$ "	48 $\frac{15}{16}$ "	22 $\frac{7}{8}$ "	10"
130 H	18 $\frac{1}{16}$ "	55 $\frac{5}{8}$ "	22 $\frac{7}{8}$ "	10"
150 H	18 $\frac{1}{16}$ "	65 $\frac{7}{16}$ "	22 $\frac{7}{8}$ "	10"
170 H	18 $\frac{1}{16}$ "	73 $\frac{5}{16}$ "	22 $\frac{7}{8}$ "	10"
200 H	18 $\frac{1}{16}$ "	82 $\frac{3}{4}$ "	22 $\frac{7}{8}$ "	10"
250 H	18 $\frac{1}{16}$ "	102 $\frac{7}{16}$ "	22 $\frac{7}{8}$ "	10"

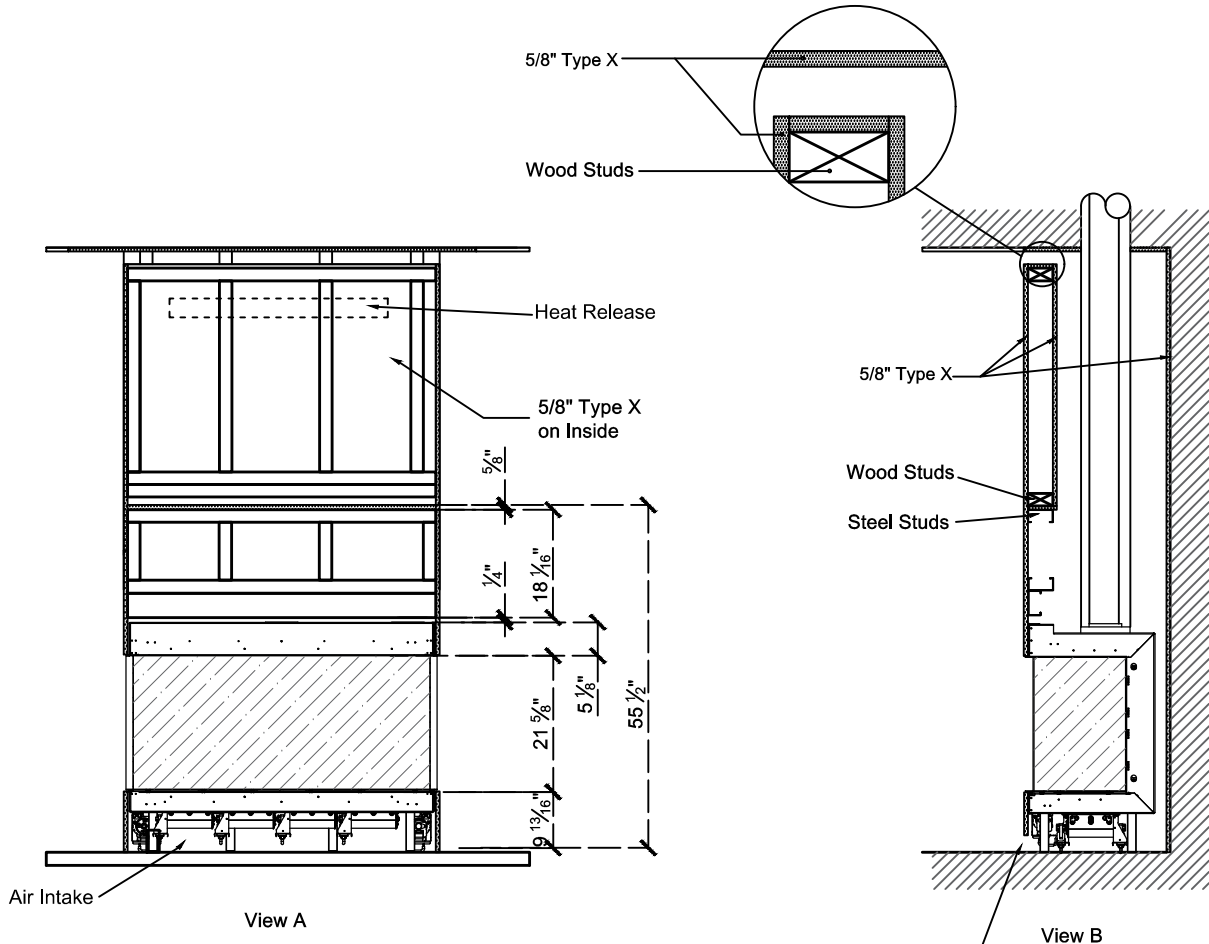


Note : 1. Drawings are not to Scale
2. All dimensions in inches
3. The dimensions are both for Double Glass and Protective Screen

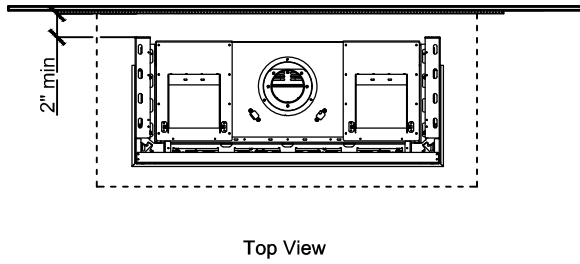
LEGEND

- 5/8" Type X
- Steel
- Wood
- Glass
- Wood Studs
- Steel Studs

110H - 250H Three side Double Glass/Protective Screen - Flush



Add Drywall nailer as needed maintain 2" clearance to any part of Fireplace



Clearance 2" from each side to non combustible material

The valve can be moved 36" - 40" from the center of the fireplace in any direction

- Note :**
1. Drawings are not to Scale
 2. All dimensions in inches
 3. The dimensions are both for Double Glass and Protective Screen