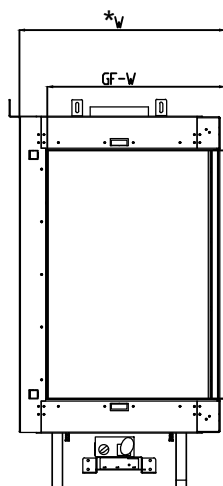


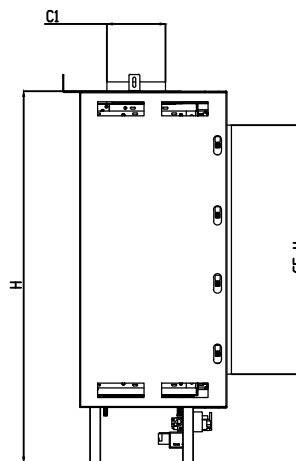


**Manufacturer Update - Fireplace Legs Modification**  
 Manufacturer Effective Date: March 20<sup>th</sup> 2018  
 Serial Number Forward #15275

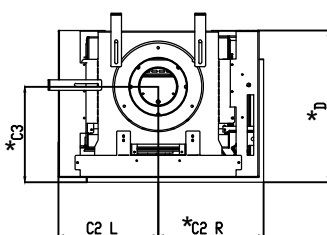
### 40H70 Corner Framing Information



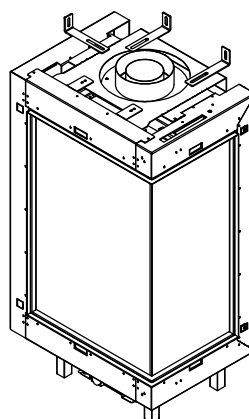
Front View



Side View



Top View



Note : 1. on RS/LS Units C2 dimension is measured from glass side to the center of flue

2. This drawing shows RS units. for LS units swap between C2 L and C2 R dimension

Model	(H) Height	(W) Width	(D) Depth	C1	C2 L	C2 R	C3	Glass Opening	
								(GF) Front	(GS) Side
40H70	41 1/16"	22 1/16"	16 13/16"	6 7/16"	11 1/16"	11 5/8"	10 9/16"	19 5/8" W X 27 9/16" H	13 5/8" W X 27 9/16" H

\* Dimensions includes 1/2" lip ( for drywall)

Note : 1. Drawings are not to Scale

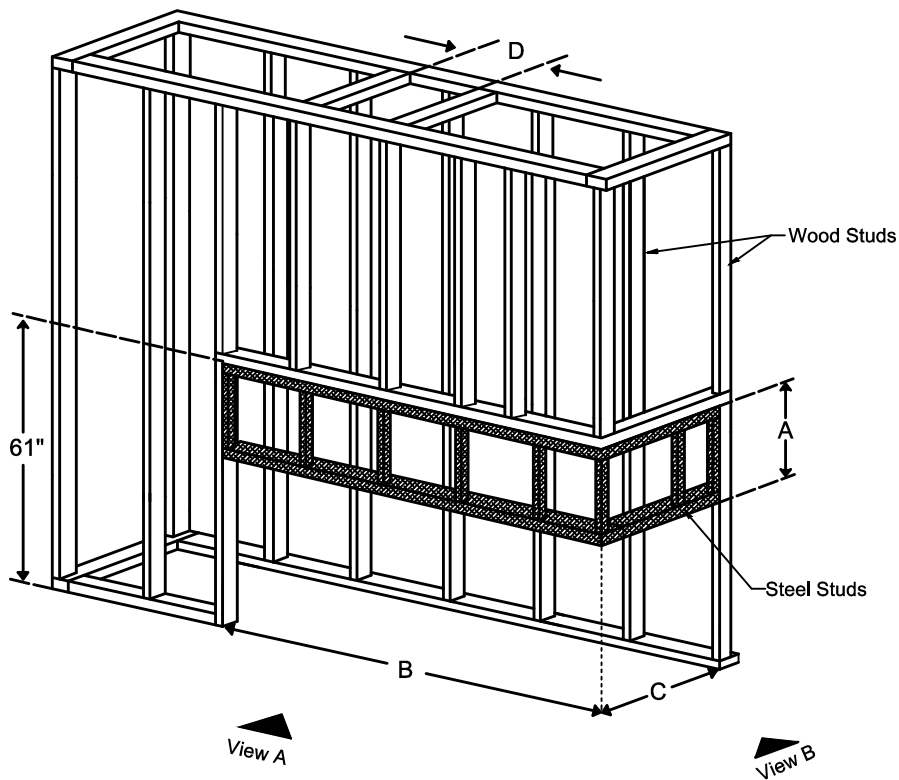
2. All dimensions in inches

Note: Framing information applies to RS & LS models. Diagram shows RS only. Mirror framing for LS model.

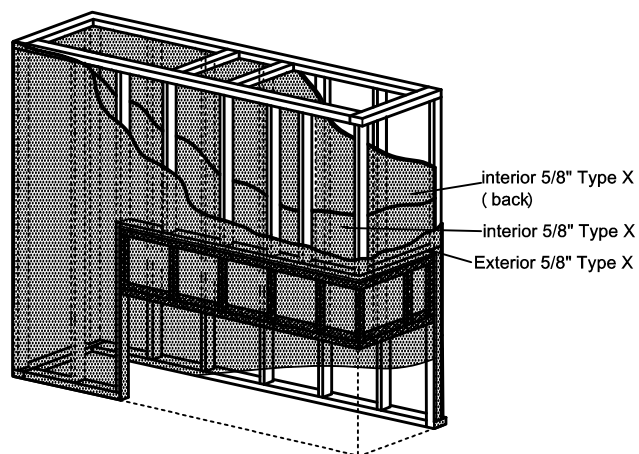


**Manufacturer Update - Fireplace Legs Modification**  
 Manufacturer Effective Date: March 20<sup>th</sup> 2018  
 Serial Number Forward #15275

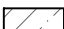

### 40H70 Corner Framing Information



Model	A	B	C	D
40H70	19 <sup>1</sup> / <sub>16</sub> "	24 <sup>3</sup> / <sub>16</sub> "	18 <sup>3</sup> / <sub>4</sub> "	8 <sup>3</sup> / <sub>4</sub> "



**LEGEND**

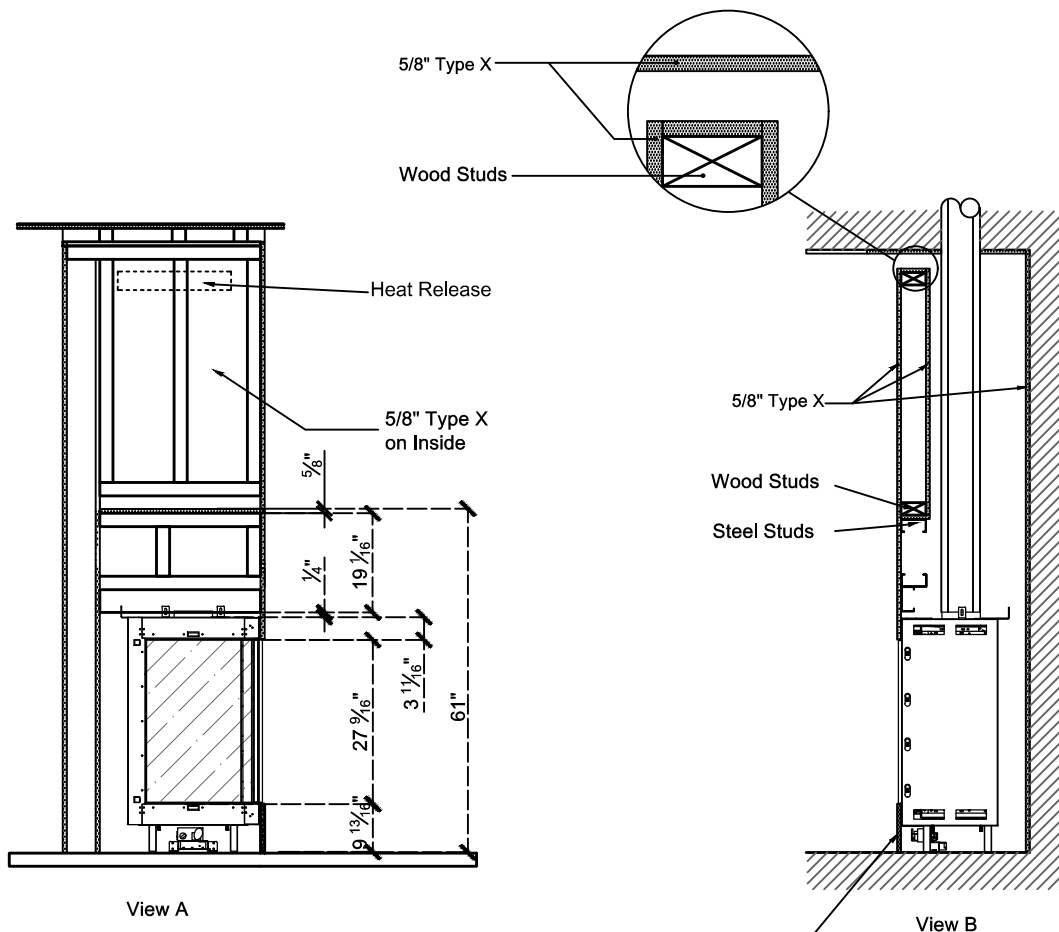
-  5/8" Type X
-  Steel
-  Wood
-  Glass
-  Wood Studs
-  Steel Studs

**Note :** 1. Drawings are not to Scale  
 2. All dimensions in inches

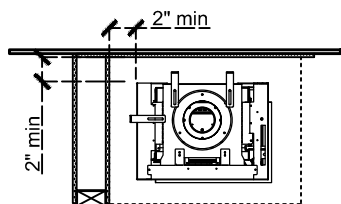


**Manufacturer Update - Fireplace Legs Modification**  
 Manufacturer Effective Date: March 20<sup>th</sup> 2018  
 Serial Number Forward #15275

### 40H70 Corner Framing Information



Add Drywall nailer as needed maintain 2" clearance to any part of Fireplace



Top View

Clearance 2" from each side to non combustible material

The valve can be moved 36" - 40" from the center of the fireplace in any direction

Note : 1. Drawings are not to Scale  
 2. All dimensions in inches