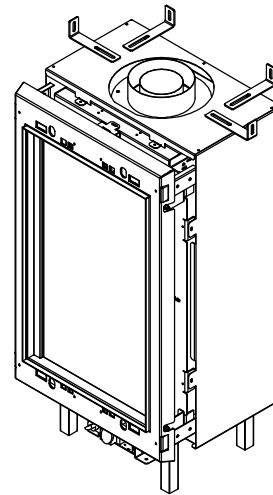
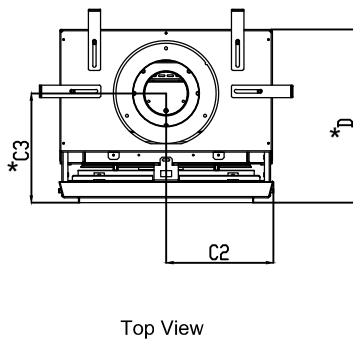
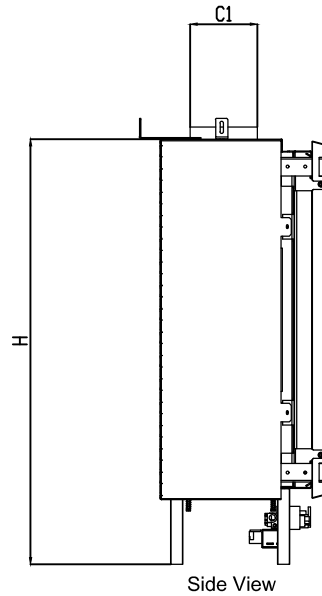
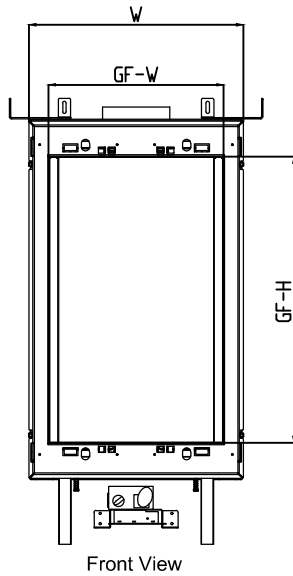




**Manufacturer Update - Fireplace Legs Modification**  
 Manufacturer Effective Date: March 20<sup>th</sup> 2018  
 Serial Number Forward #15275

### 40H70 Front Framing Information



Model	(H) Height	(W) Width	(D) Depth	C1	C2	C3	Glass Opening	
							(GF) Front	(GS) Side
40H70	40 <sup>15</sup> / <sub>16</sub> "	20 <sup>5</sup> / <sub>8</sub> "	16 <sup>5</sup> / <sub>8</sub> "	6 <sup>7</sup> / <sub>16</sub> "	10 <sup>5</sup> / <sub>16</sub> "	10 <sup>1</sup> / <sub>2</sub> "	16 <sup>7</sup> / <sub>8</sub> " W X 27 <sup>9</sup> / <sub>16</sub> " H	—

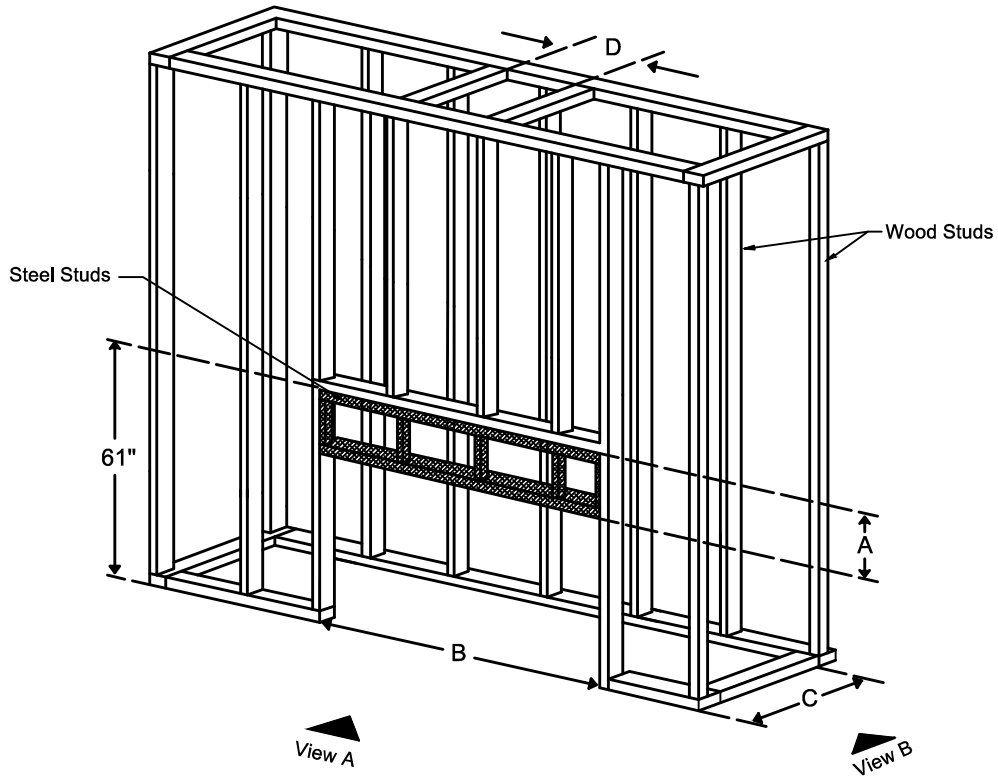
\* Dimensions includes 1/2" lip ( for drywall)

- Note : 1. Drawings are not to Scale  
 2. All dimensions in inches

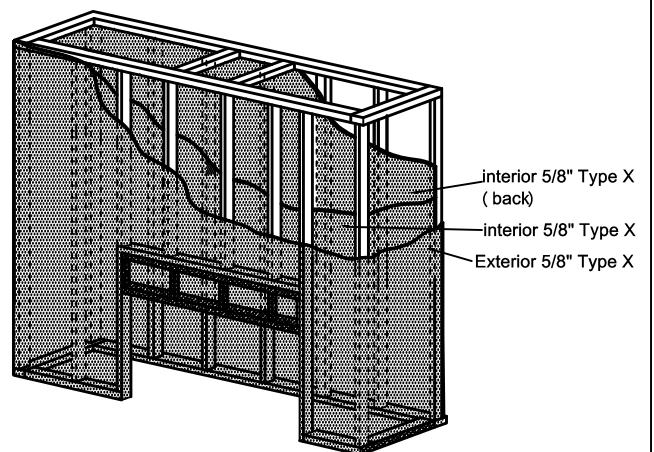


**Manufacturer Update - Fireplace Legs Modification**  
 Manufacturer Effective Date: March 20<sup>th</sup> 2018  
 Serial Number Forward #15275

### 40H70 Front Framing Information



Model	A	B	C	D
40H70	19 <sup>3</sup> / <sub>16</sub> "	25 <sup>7</sup> / <sub>8</sub> "	18 <sup>3</sup> / <sub>4</sub> "	8 <sup>3</sup> / <sub>4</sub> "



**Note :** 1. Drawings are not to Scale  
 2. All dimensions in inches

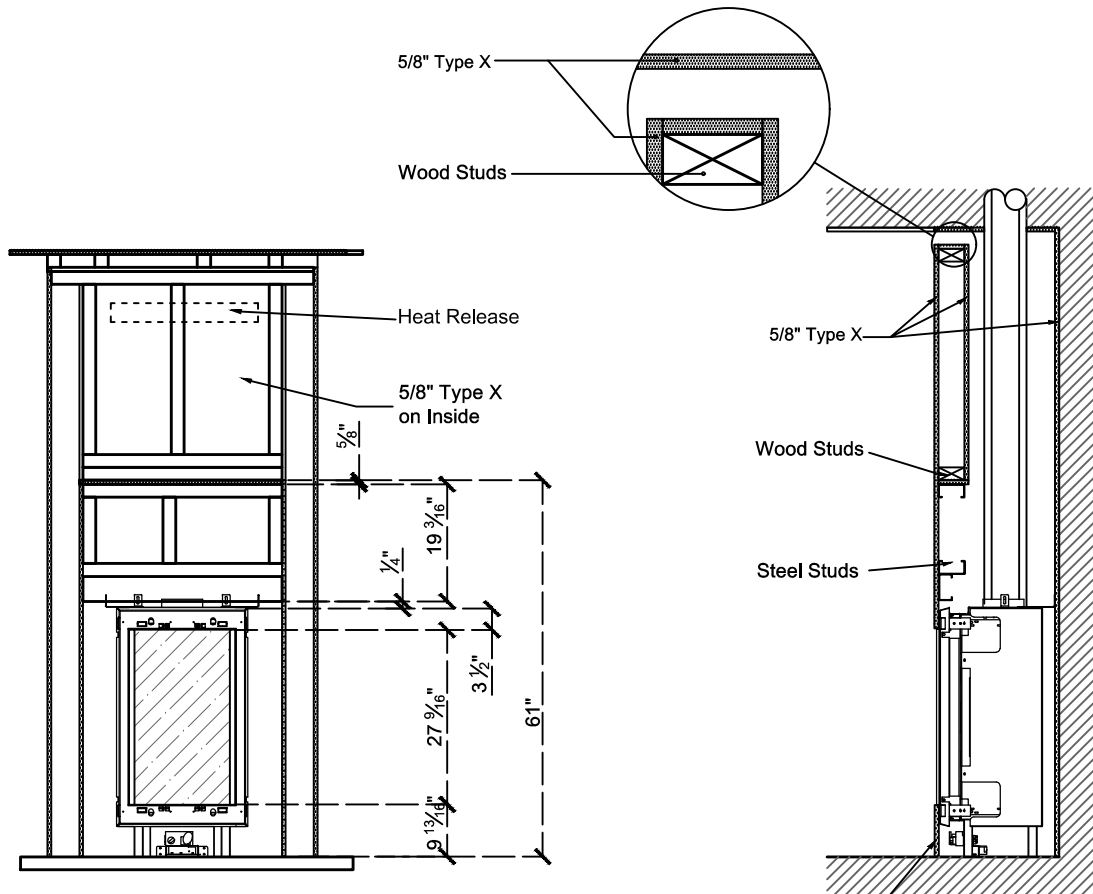
**LEGEND**

- 5/8" Type X
- Steel
- Wood
- Glass
- Wood Studs
- Steel Studs



**Manufacturer Update - Fireplace Legs Modification**  
 Manufacturer Effective Date: March 20<sup>th</sup> 2018  
 Serial Number Forward #15275

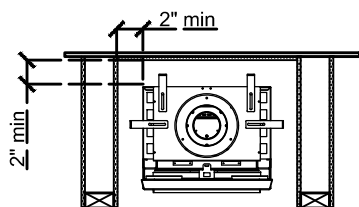
### 40H70 Front Framing Information



View A

View B

Add Drywall nailer as needed maintain 2" clearance to any part of Fireplace



Top View

Note : 1. Drawings are not to Scale  
 2. All dimensions in inches

Clearance 2" from each side to non combustible material

The valve can be moved 36" - 40" from the center of the fireplace in any direction