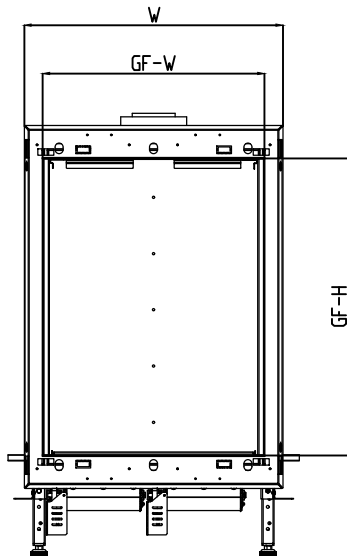


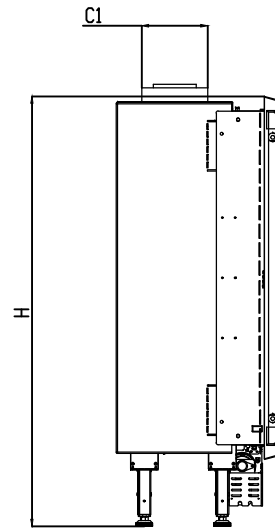


**Manufacturer Update - Fireplace Legs Modification**  
 Manufacturer Effective Date: March 20<sup>th</sup> 2018  
 Serial Number Forward #15275

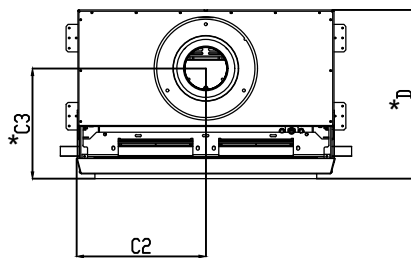
### 60x80 Front Framing Information



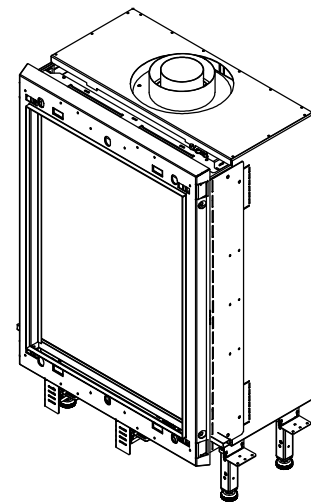
Front View



Side View



Top View



Model	(H) Height	(W) Width	(D) Depth	C1	C2	C3	Glass Opening	
							(GF) Front	(GS) Side
60X80	42 1/8"	25 3/8"	16 9/16"	6 7/16"	12 1/16"	10 13/16"	21 3/4" W X 29 1/8" H	—

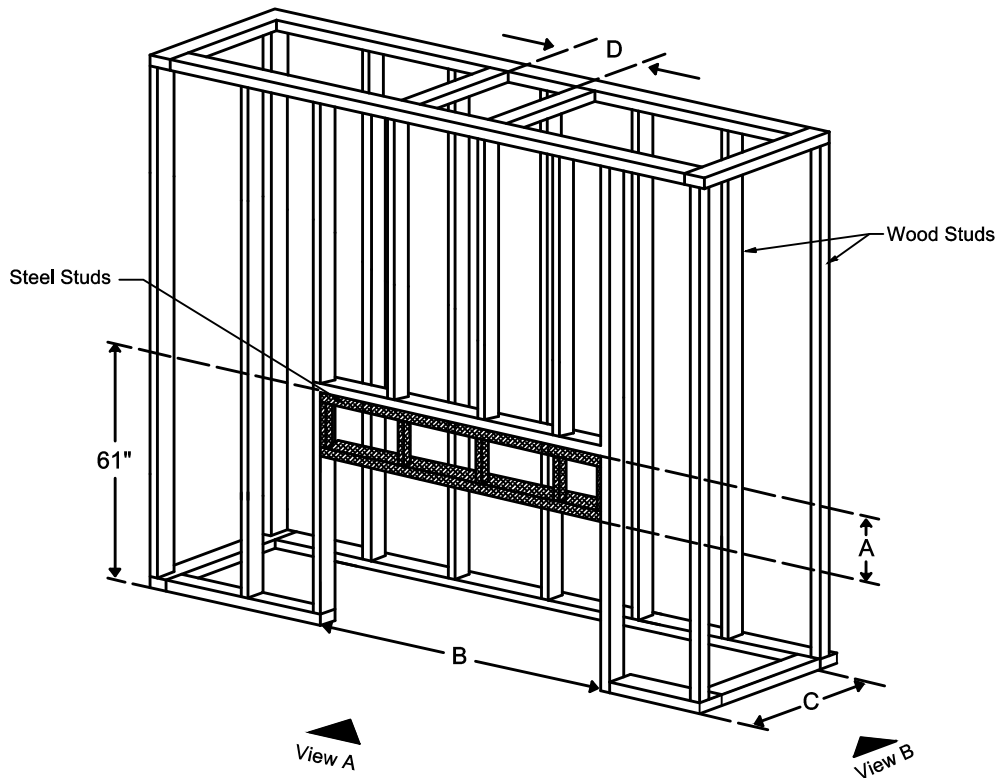
\* Dimensions includes 1/2" lip (for drywall)

- Note :
1. Drawings are not to Scale
  2. All dimensions in inches
  3. The dimensions are both for Double Glass and Protective Screen

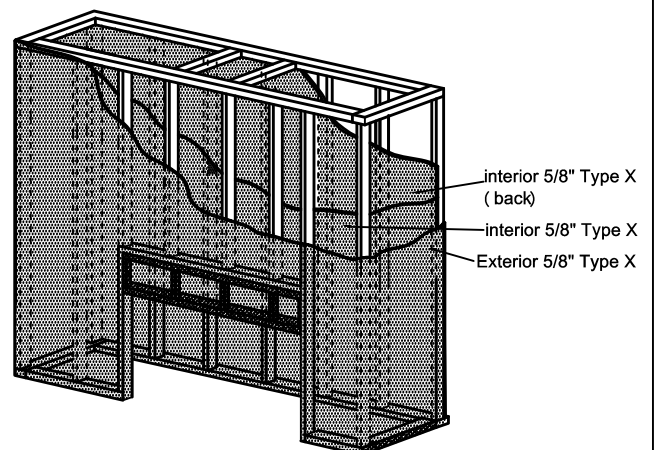


**Manufacturer Update - Fireplace Legs Modification**  
 Manufacturer Effective Date: March 20<sup>th</sup> 2018  
 Serial Number Forward #15275

### 60x80 Front Framing Information



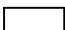

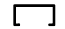


Model	A	B	C	D
60X80	18"	30 <sup>5</sup> / <sub>8</sub> "	18 <sup>1</sup> / <sub>16</sub> "	8 <sup>3</sup> / <sub>4</sub> "



- Note :**
1. Drawings are not to Scale
  2. All dimensions in inches
  3. The dimensions are both for Double Glass and Protective Screen

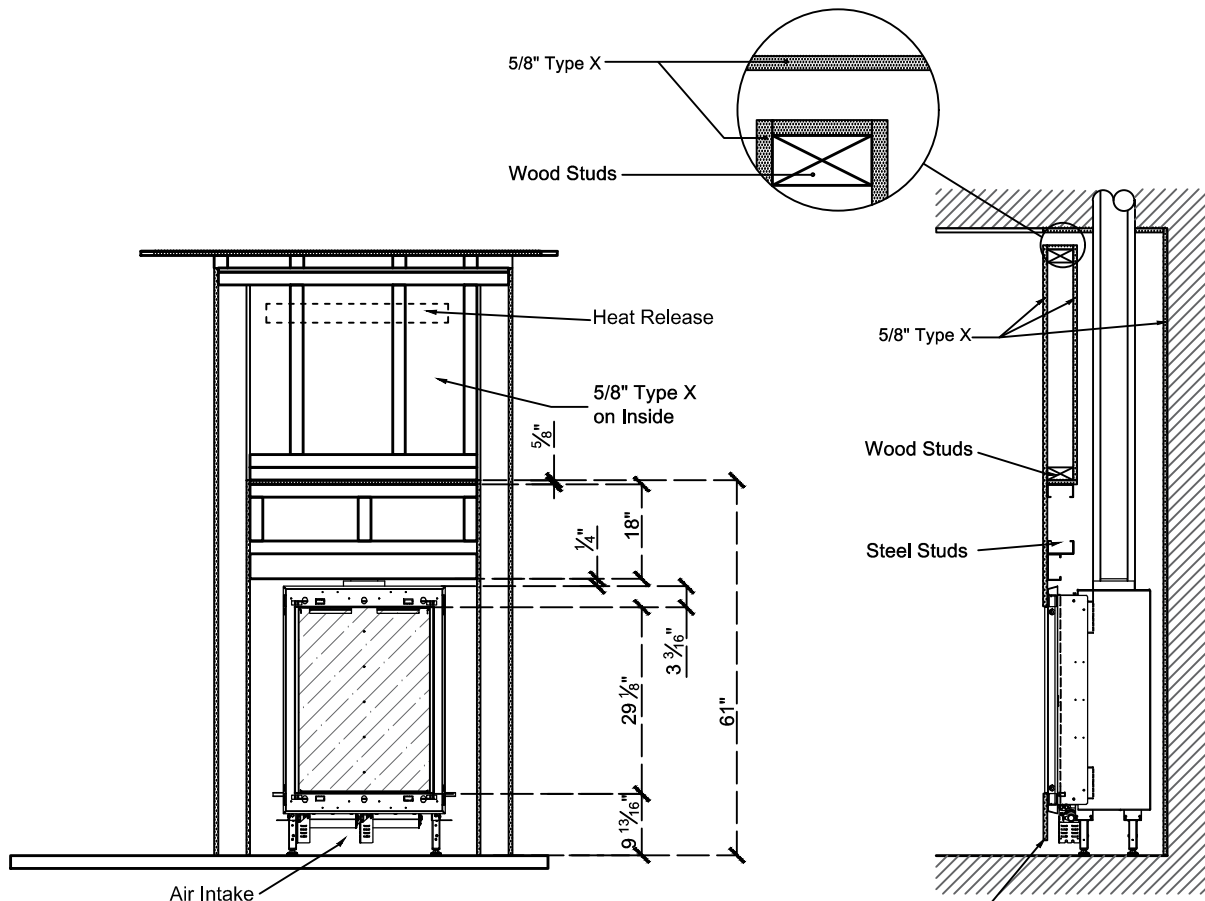
**LEGEND**

-  5/8" Type X
-  Steel
-  Wood
-  Glass
-  Wood Studs
-  Steel Studs



**Manufacturer Update - Fireplace Legs Modification**  
 Manufacturer Effective Date: March 20<sup>th</sup> 2018  
 Serial Number Forward #15275

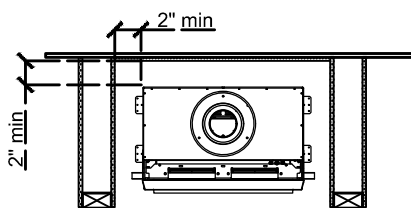
### 60x80 Front Framing Information



View A

View B

Add Drywall nailer as needed maintain 2" clearance to any part of Fireplace



Top View

Clearance 2" from each side to non combustible material

The valve can be moved 36" - 40" from the center of the fireplace in any direction

- Note :
1. Drawings are not to Scale
  2. All dimensions in inches
  3. The dimensions are both for Double Glass and Protective Screen