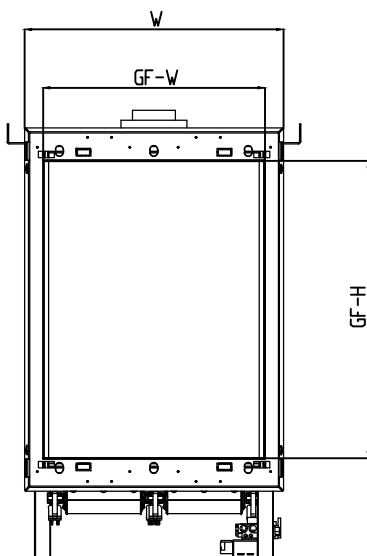


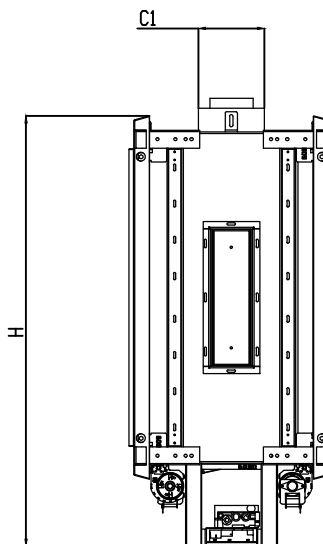


Manufacturer Update - Fireplace Legs Modification
 Manufacturer Effective Date: March 20th 2018
 Serial Number Forward #15275

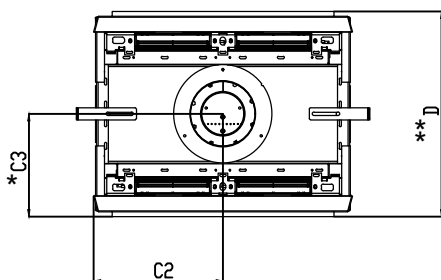
60x80 Tunnel Framing Information



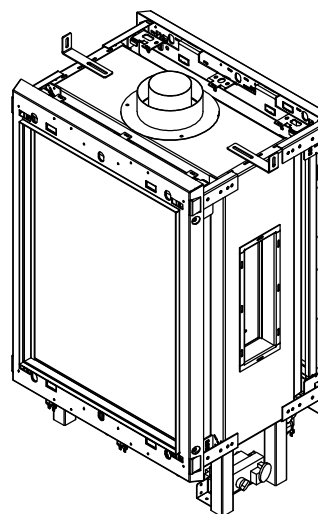
Front View



Side View



Top View



Model	(H) Height	(W) Width	(D) Depth	C1	C2	C3	Glass Opening	
							(GF) Front	(GS) Side
60X80	42 1/8"	25 3/8"	20 1/16"	6 7/16"	12 1 1/16"	10 1/16"	21 3/4" W X 29 1/8" H	—

* Dimensions includes 1/2" lip (for drywall)

Note : 1. Drawings are not to Scale

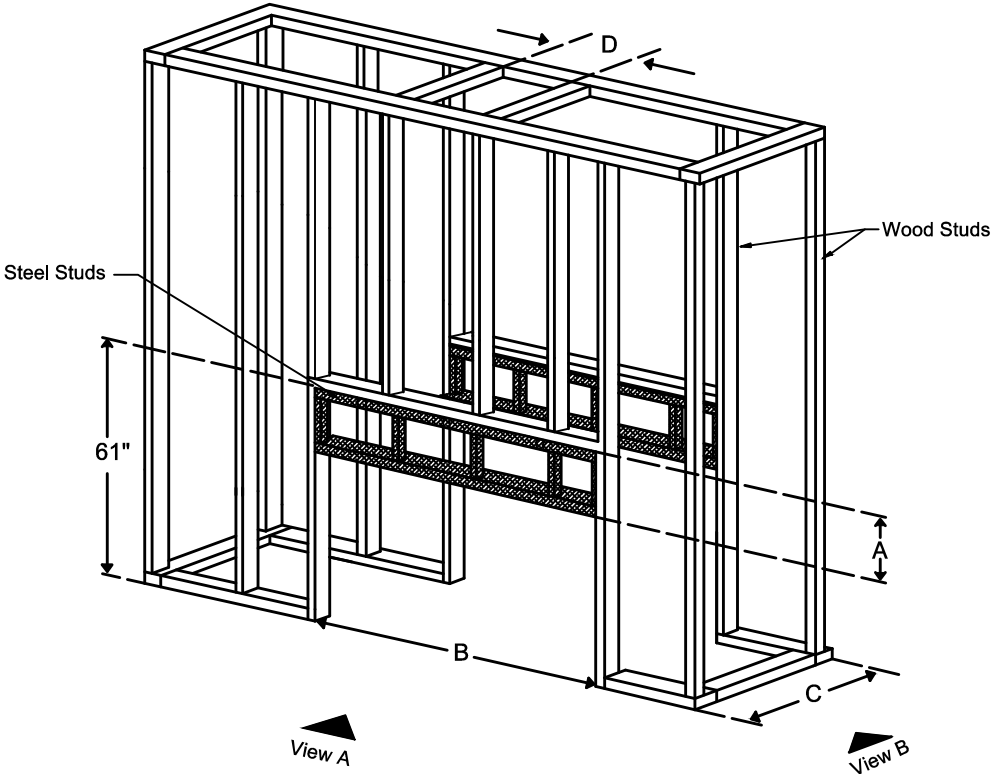
2. All dimensions in inches

3. The dimensions are both for
 Double Glass and Protective Screen

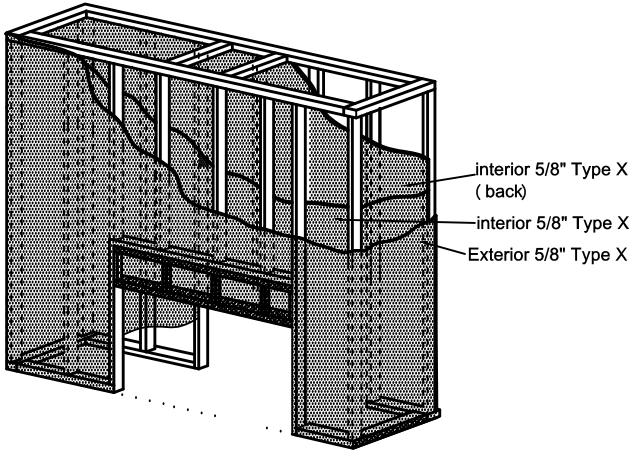


Manufacturer Update - Fireplace Legs Modification
 Manufacturer Effective Date: March 20th 2018
 Serial Number Forward #15275

60x80 Tunnel Framing Information



Model	A	B	C	D
60X80	18"	30 ⁵ / ₈ "	19 ¹ / ₁₆ "	8 ³ / ₄ "



Note : 1. Drawings are not to Scale
 2. All dimensions in inches
 3. The dimensions are both for Double Glass and Protective Screen

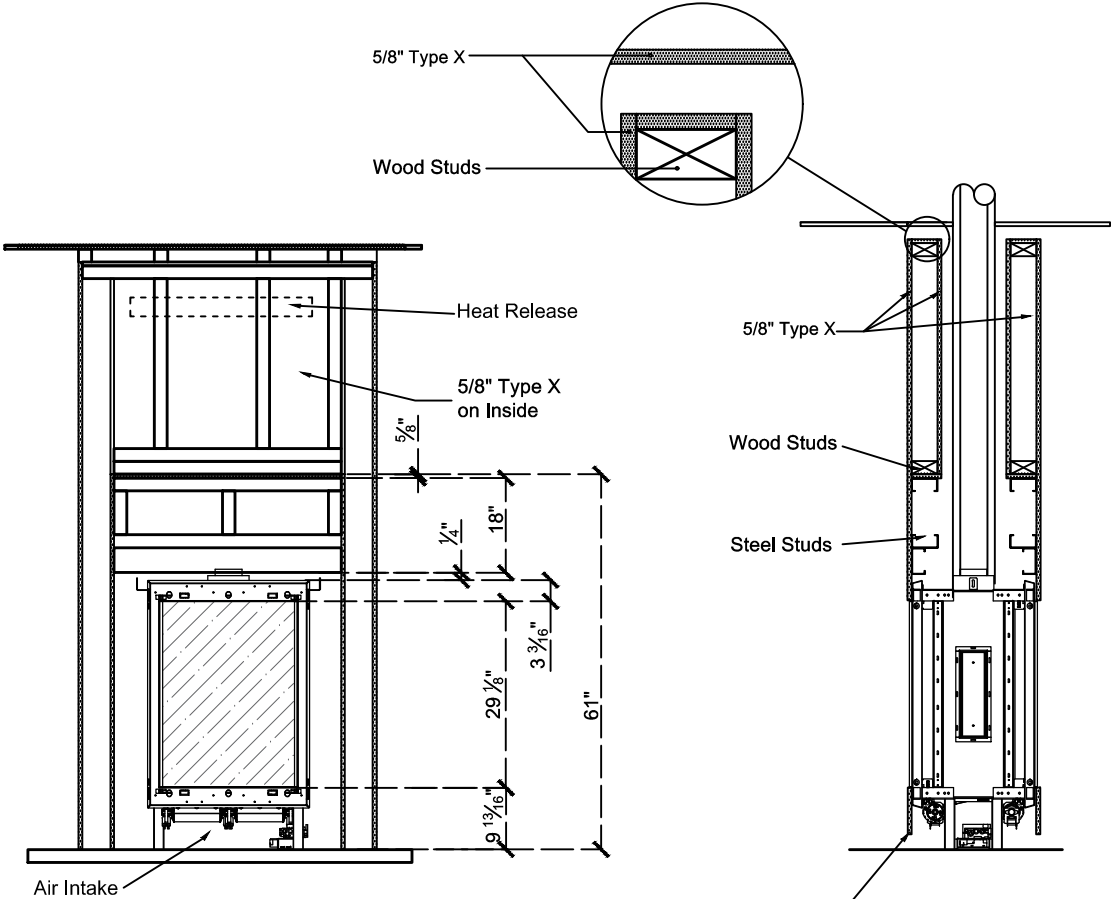
LEGEND

	5/8" Type X		Steel		Wood
	Glass		Wood Studs		Steel Studs



Manufacturer Update - Fireplace Legs Modification
 Manufacturer Effective Date: March 20th 2018
 Serial Number Forward #15275

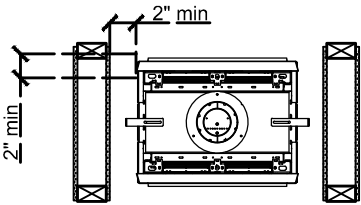
60x80 Tunnel Framing Information



View A

View B

Add Drywall nailer as needed maintain 2" clearance to any part of Fireplace



Top View

Clearance 2" from each side to non combustible material

The valve can be moved 36" - 40" from the center of the fireplace in any direction

- Note :
1. Drawings are not to Scale
 2. All dimensions in inches
 3. The dimensions are both for Double Glass and Protective Screen