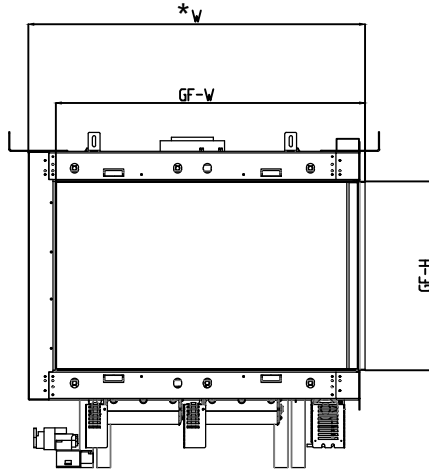
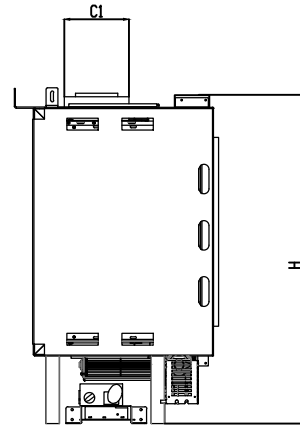


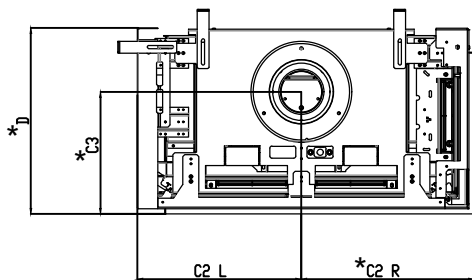
75 Right side /Left side Double Glass/Protective Screen - Flush



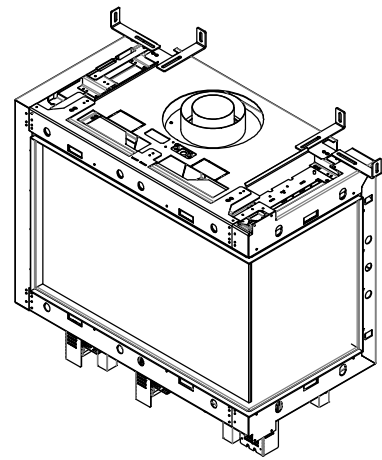
Front View



Side View



Top View



Note : 1. on RS/LS Units C2 dimension is measured from glass side to the center of flue

2. This drawing shows RS units. for LS units swap between C2 L and C2 R dimension

Model	(H) Height	(W) Width	(D) Depth	C1	C2 L	C2 R	C3	Glass Opening	
								(GF) Front	(GS) Side
75	33 1/4"	33 11/16"	18 5/8"	6 7/16"	16 3/8"	17 5/16"	12 3/16"	30 15/16" W X 18 7/8" H	16 3/16" W X 18 7/8" H

* Dimensions includes 1/2" lip (for drywall)

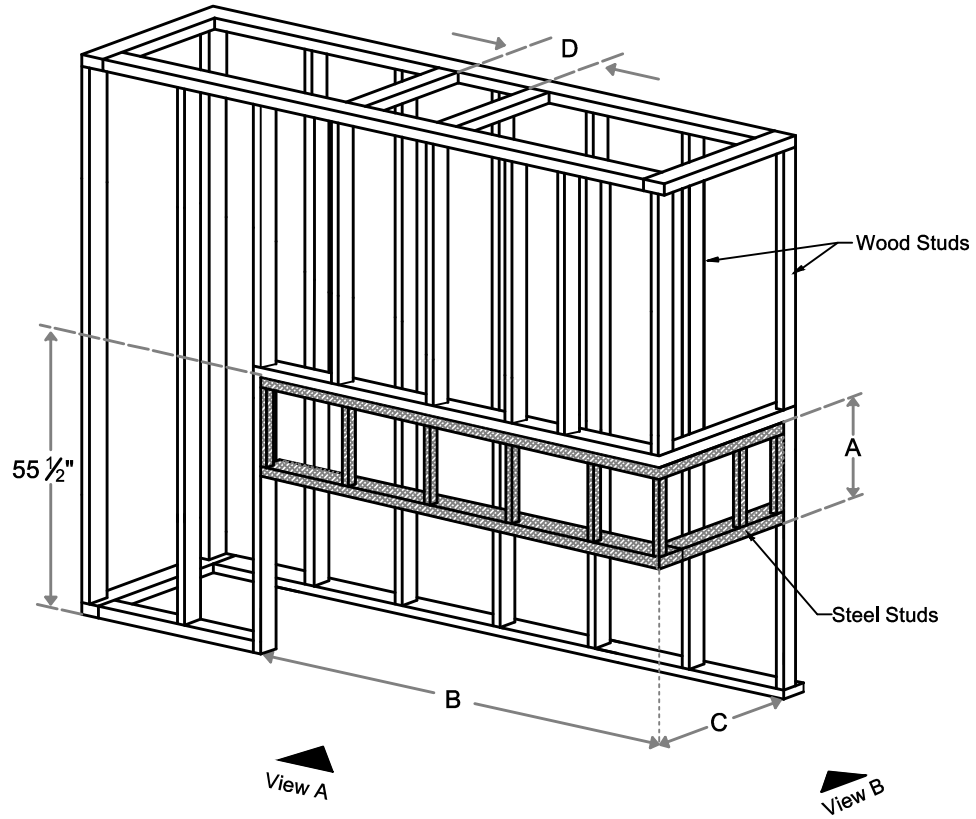
Note : 1. Drawings are not to Scale

2. All dimensions in inches

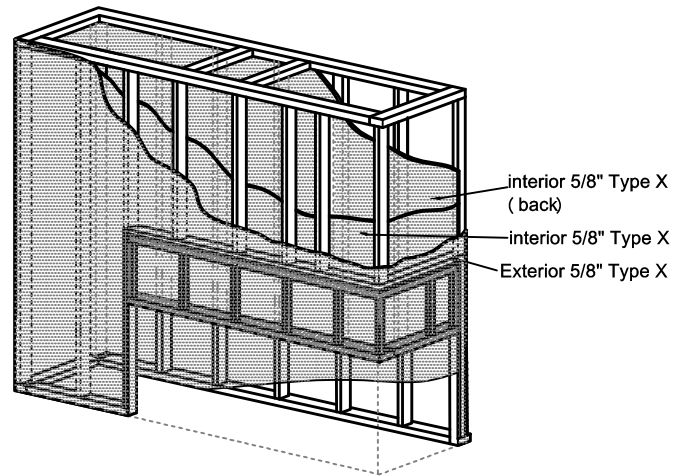
3. The dimensions are both for

Double Glass and Protective Screen

75 Right side /Left side Double Glass/Protective Screen - Flush



Model	A	B	C	D
75	21 3/8"	35 13/16"	20 3/4"	8 3/4"

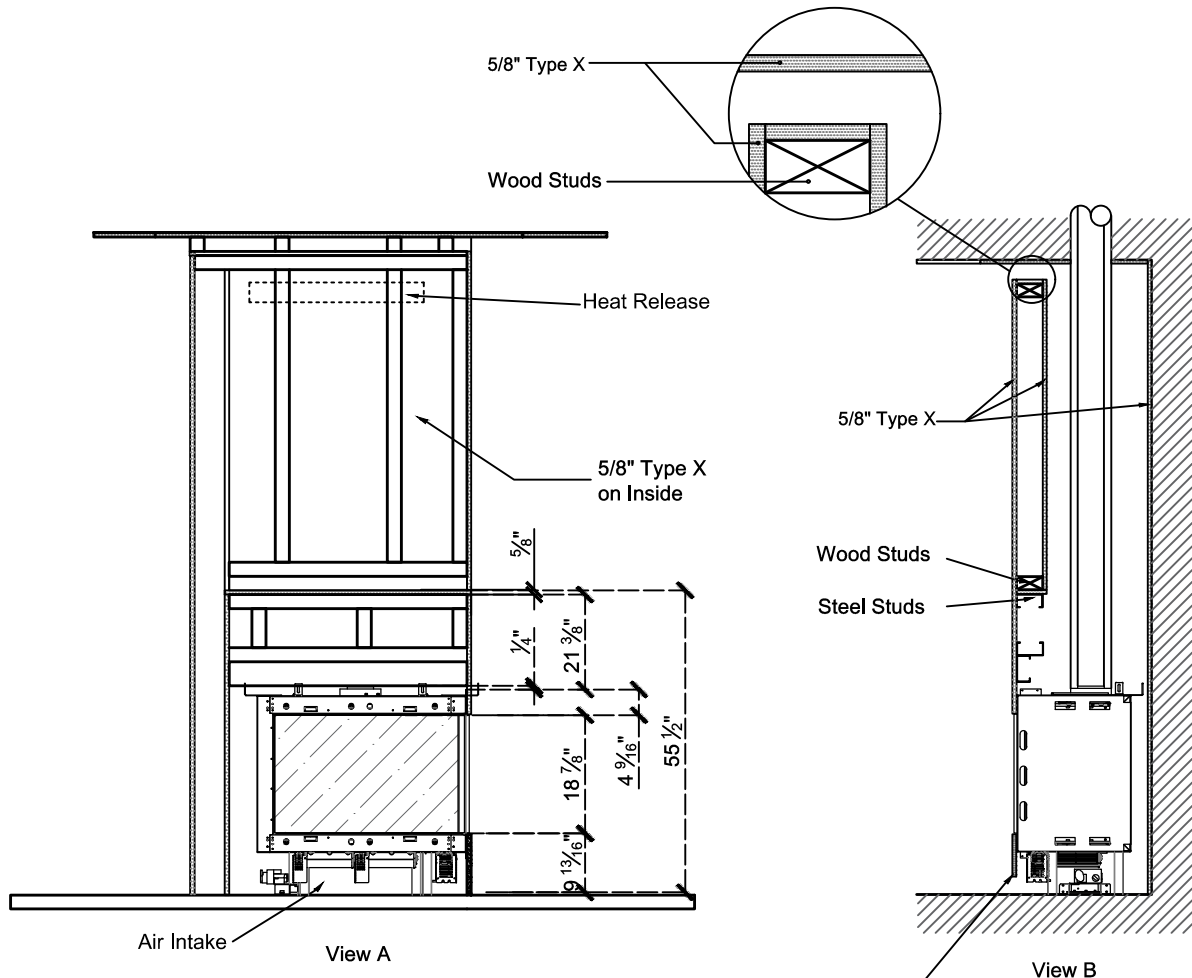


LEGEND

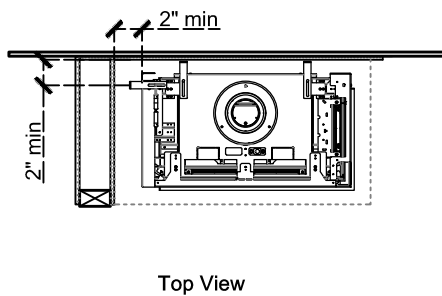
 5/8" Type X	 Steel	 Wood
 Glass	 Wood Studs	 Steel Studs

Note : 1. Drawings are not to Scale
2. All dimensions in inches
3. The dimensions are both for Double Glass and Protective Screen

75 Right side /Left side Double Glass/Protective Screen - Flush



Add Drywall nailer as needed maintain 2" clearance to any part of Fireplace



Clearance 2" from each side to non combustible material

The valve can be moved 36" - 40" from the center of the fireplace in any direction

- Note :
1. Drawings are not to Scale
 2. All dimensions in inches
 3. The dimensions are both for Double Glass and Protective Screen