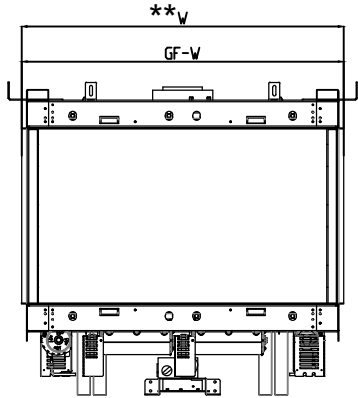
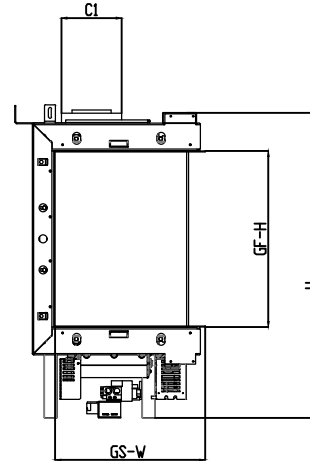


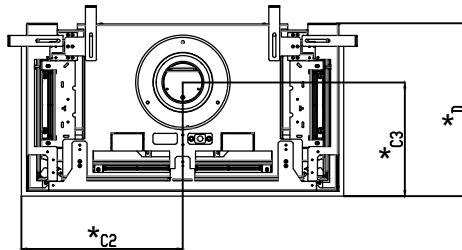
75 Three side Double Glass/Protective Screen - Flush



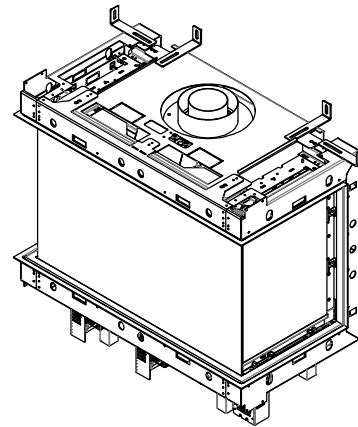
Front View



Side View



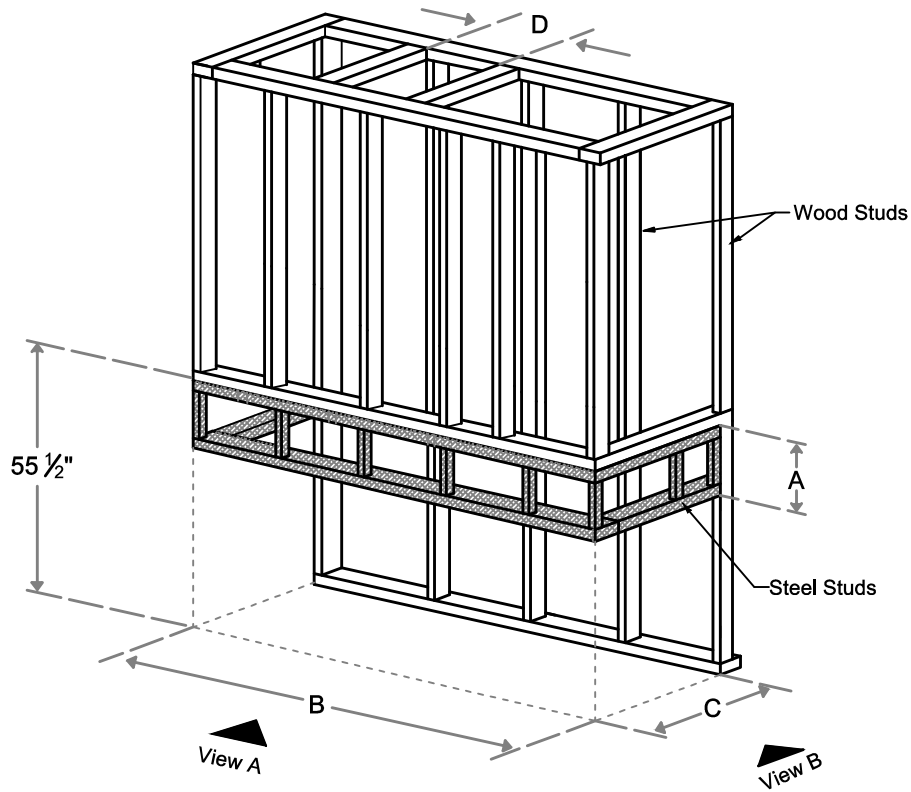
Top View



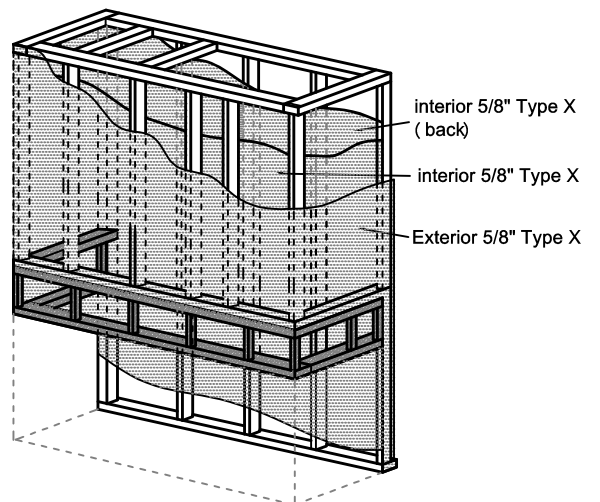
Model	(H) Height	(W) Width	(D) Depth	C1	C2	C3	Glass Opening	
							(GF) Front	(GS) Side
75	33 1/4"	34 9/16"	18 9/16"	6 7/16"	17 5/16"	12 3/16"	34 9/16" W X 18 7/8" H	16 3/16" W X 18 7/8" H

- * Dimensions includes 1/2" lip (for drywall)
- ** Dimensions includes 2 X 1/2" lip (for drywall)
- Note : 1. Drawings are not to Scale
- 2. All dimensions in inches
- 3. The dimensions are both for Double Glass and Protective Screen

75 Three side Double Glass/Protective Screen - Flush



Model	A	B	C	D
75	21 3/8"	33 9/16"	20 11/16"	8 3/4"

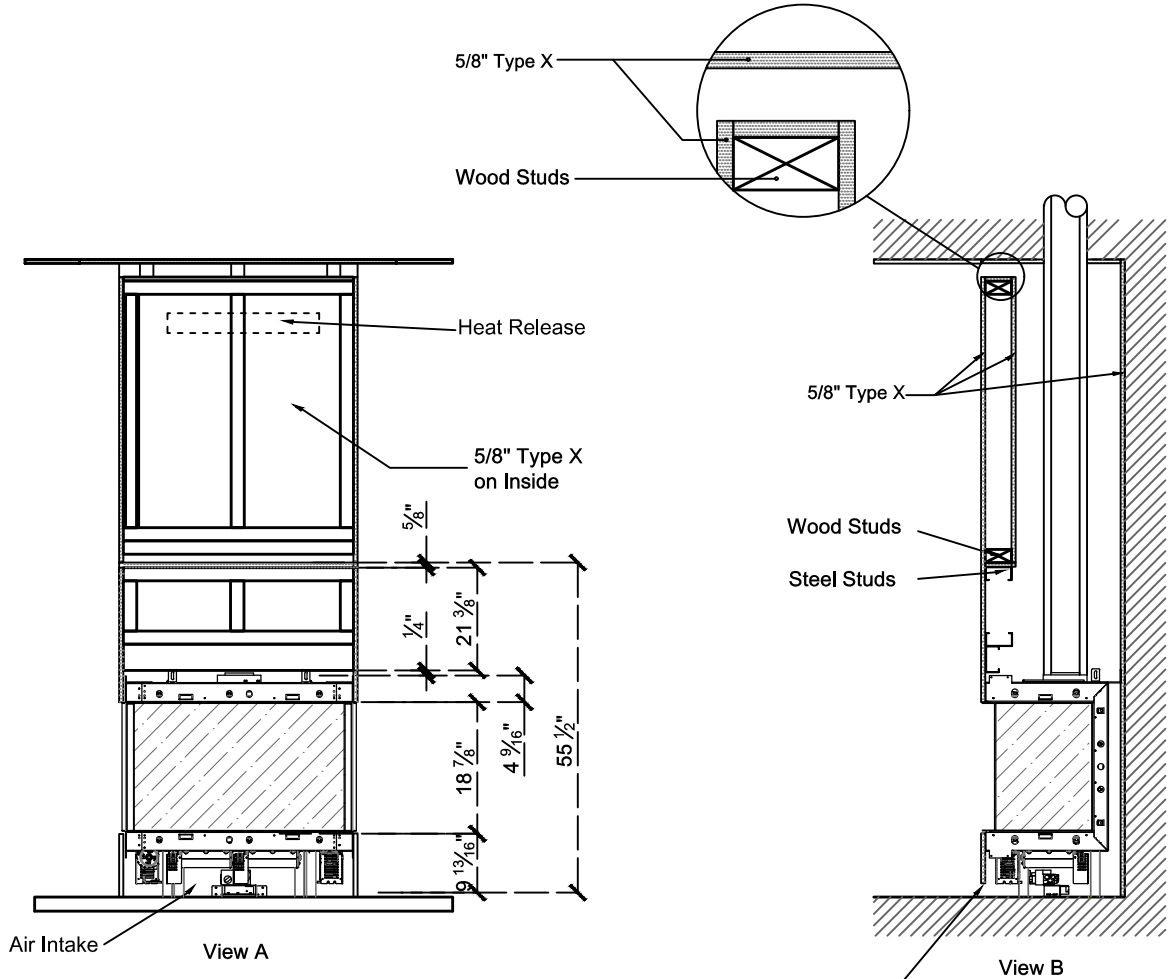


Note : 1. Drawings are not to Scale
2. All dimensions in inches
3. The dimensions are both for Double Glass and Protective Screen

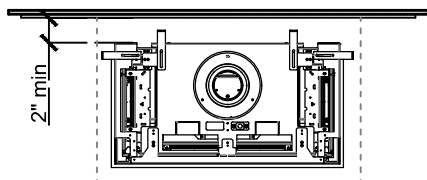
LEGEND

- 5/8" Type X
- Steel
- Wood
- Glass
- Wood Studs
- Steel Studs

75 Three side Double Glass/Protective Screen - Flush



Add Drywall nailer as needed maintain 2" clearance to any part of Fireplace



Top View

Clearance 2" from each side to non combustible material

The valve can be moved 36" - 40" from the center of the fireplace in any direction

- Note :**
1. Drawings are not to Scale
 2. All dimensions in inches
 3. The dimensions are both for Double Glass and Protective Screen