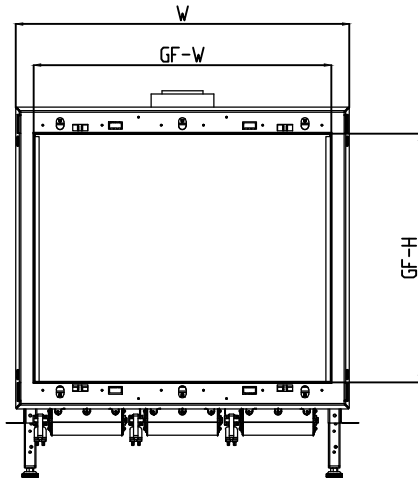


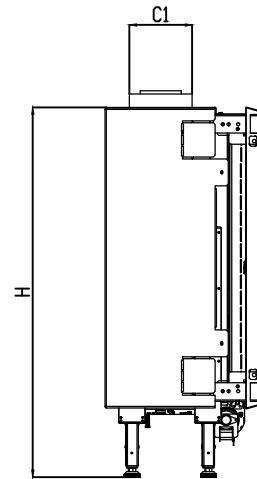


Manufacturer Update - Fireplace Legs Modification
 Manufacturer Effective Date: March 20th 2018
 Serial Number Forward #15275

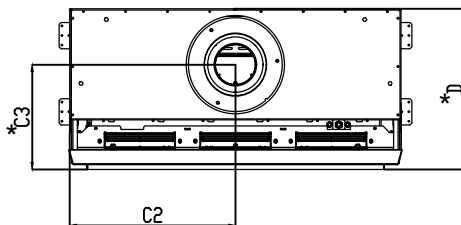
75x65 Front Framing Information



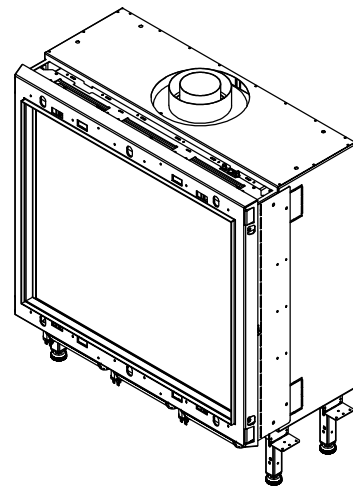
Front View



Side View



Top View



Model	(H) Height	(W) Width	(D) Depth	C1	C2	C3	Glass Opening	
							(GF) Front	(GS) Side
75X65	38 1/16"	34 5/16"	16 1/2"	6 7/16"	17 1/16"	10 3/4"	30 5/8" W X 25 9/16" H	—

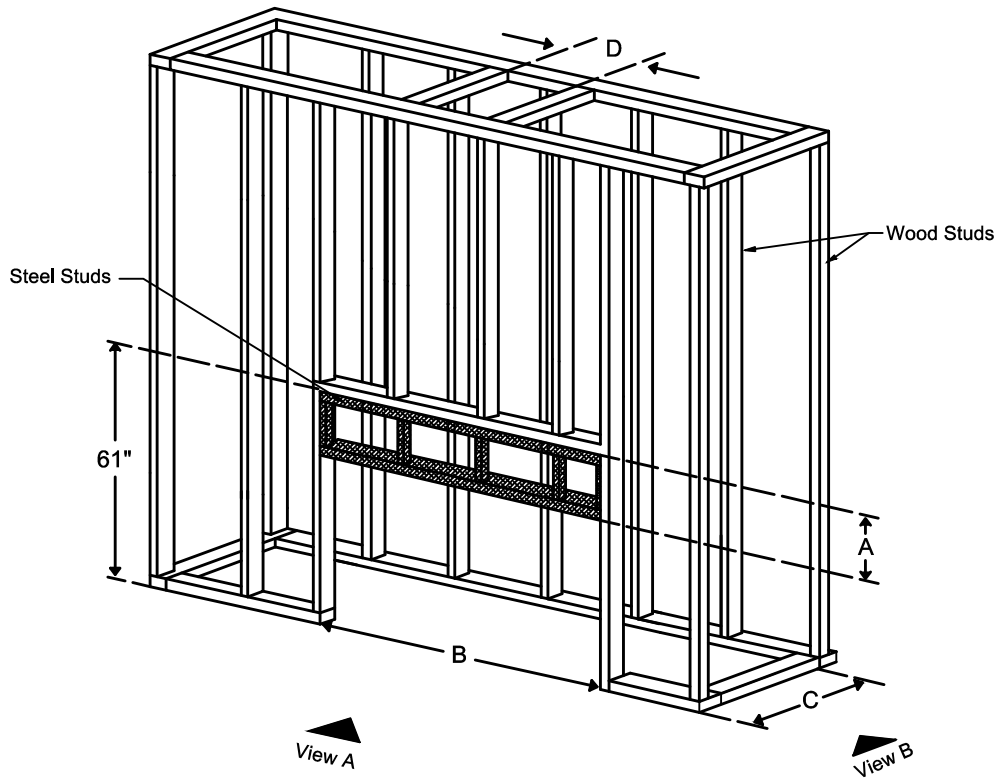
* Dimensions includes 1/2" lip (for drywall)

- Note :
1. Drawings are not to Scale
 2. All dimensions in inches
 3. The dimensions are both for Double Glass and Protective Screen

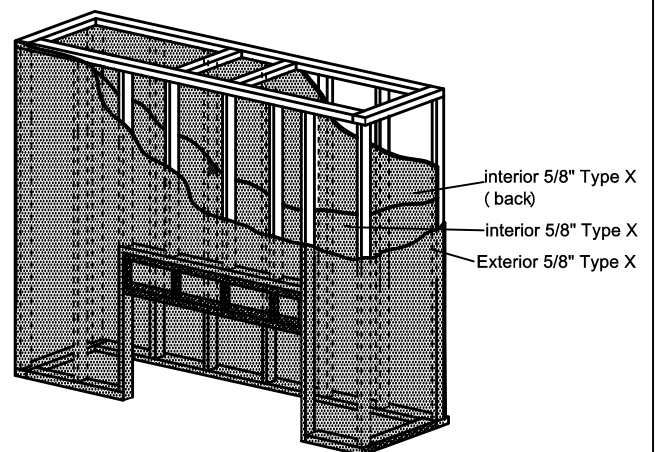


Manufacturer Update - Fireplace Legs Modification
 Manufacturer Effective Date: March 20th 2018
 Serial Number Forward #15275

75x65 Front Framing Information



Model	A	B	C	D
75X65	22 ¹ / ₁₆ "	39 ⁹ / ₁₆ "	18 ⁵ / ₈ "	8 ³ / ₄ "



- Note :**
1. Drawings are not to Scale
 2. All dimensions in inches
 3. The dimensions are both for Double Glass and Protective Screen

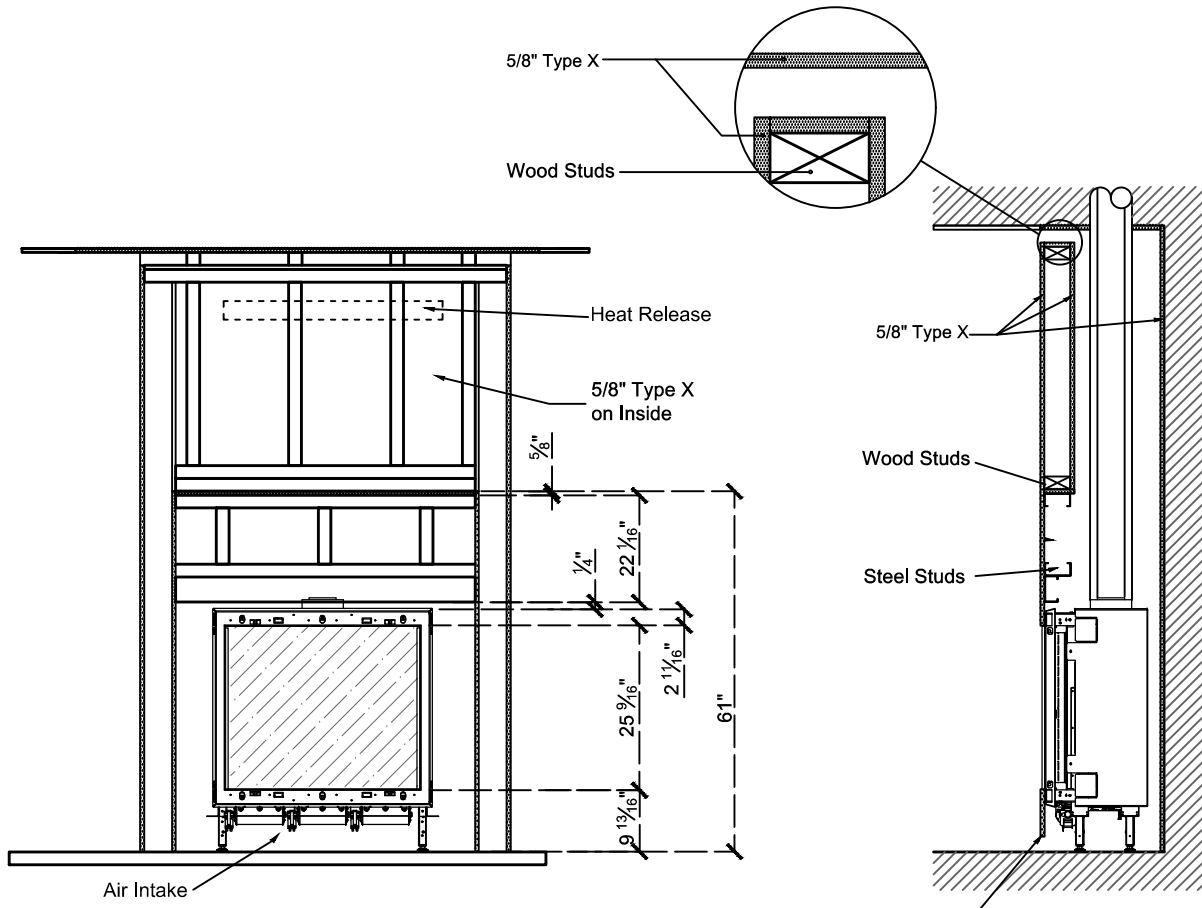
LEGEND

-
-
-
-
-
-

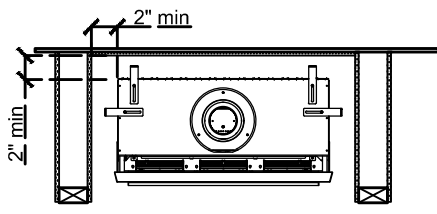


Manufacturer Update - Fireplace Legs Modification
 Manufacturer Effective Date: March 20th 2018
 Serial Number Forward #15275

75x65 Front Framing Information



Add Drywall nailer as needed maintain 2" clearance to any part of Fireplace



Top View

Clearance 2" from each side to non combustible material

The valve can be moved 36" - 40" from the center of the fireplace in any direction

- Note :
1. Drawings are not to Scale
 2. All dimensions in inches
 3. The dimensions are both for Double Glass and Protective Screen