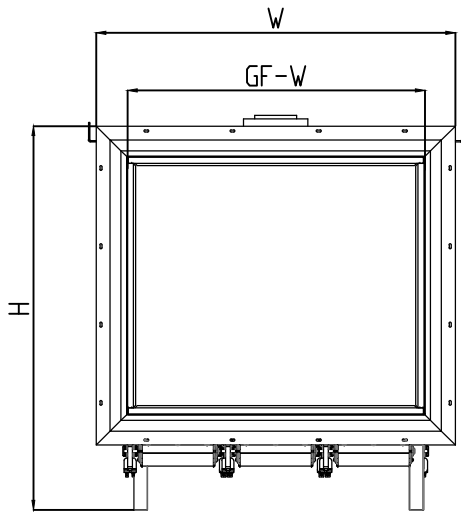
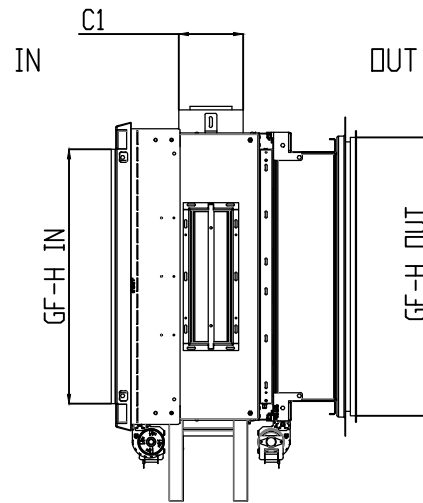


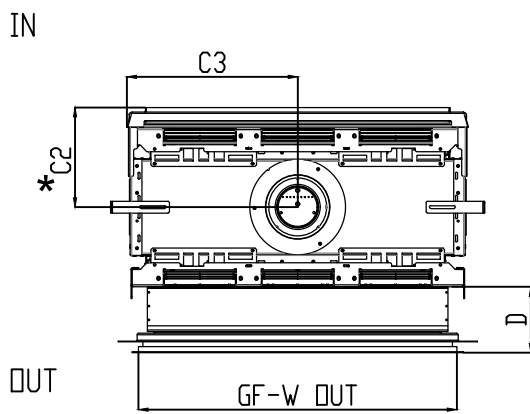
75X65 Indoor-Outdoor Double Glass - Flush



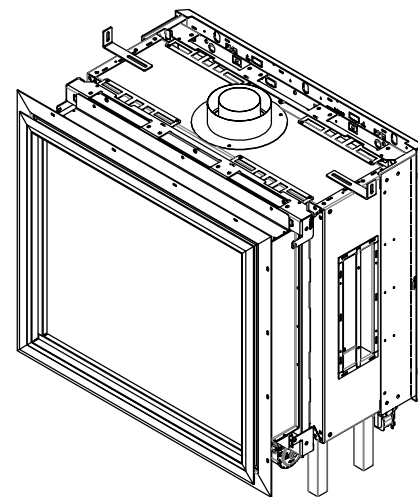
Outdoor Front View



Side View



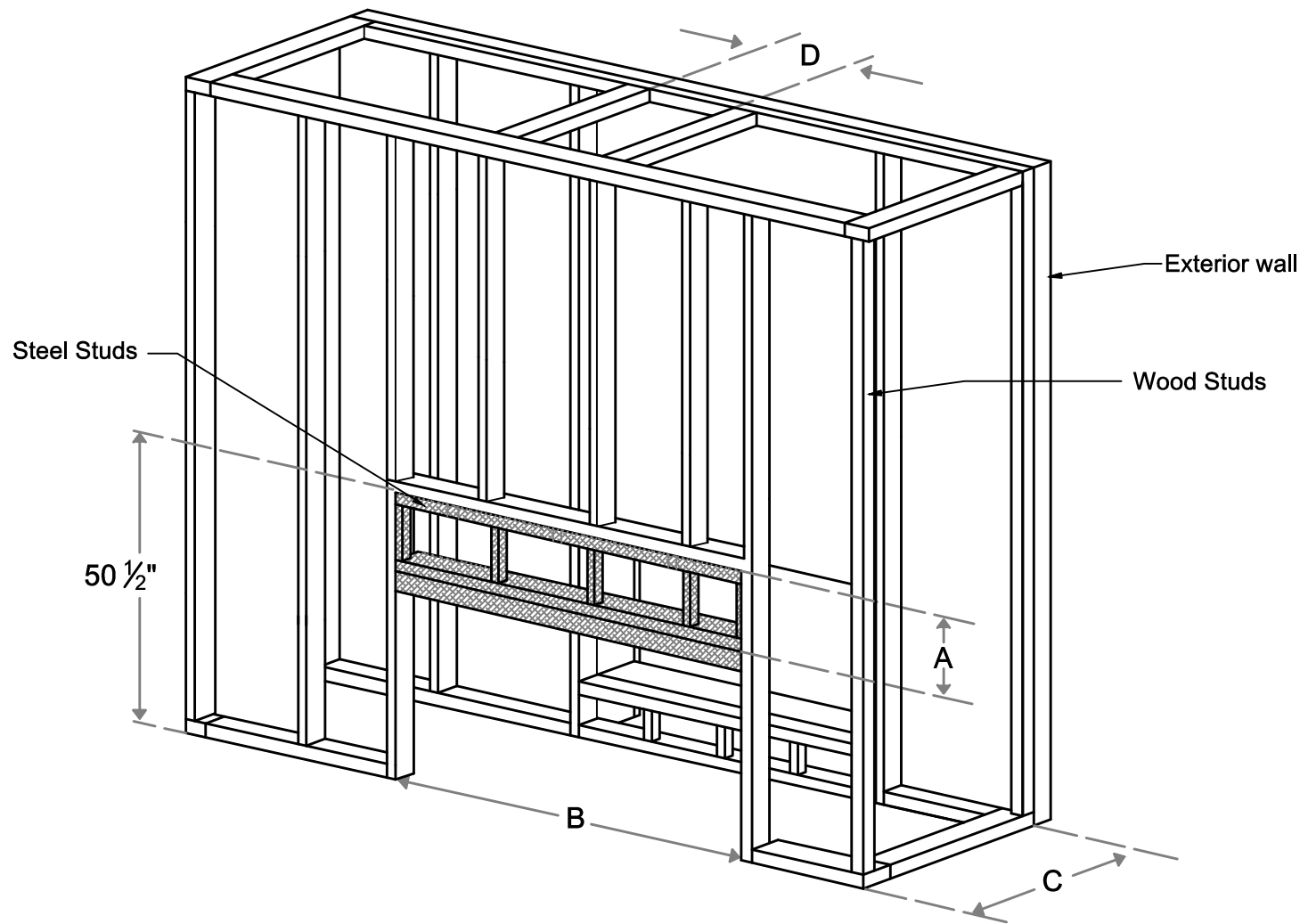
Top View



Model	(H) Height	(W) Width	(D) Depth		C1	C2	C3	Glass Opening	
			MAX	MIN				(GF) IN	(GF) OUT
75x65	38"	36 1/8"	8 1/2"	5 5/16"	6 7/16"	10 1/16"	18 1/16"	30 5/8" W X 25 9/16" H	32" W X 28" H

* Dimensions includes 1/2" lip (for drywall)
 ** Dimensions includes 2 X 1/2" lip (for drywall)
 Note : 1. Drawings are not to Scale
 2. All dimensions in inches

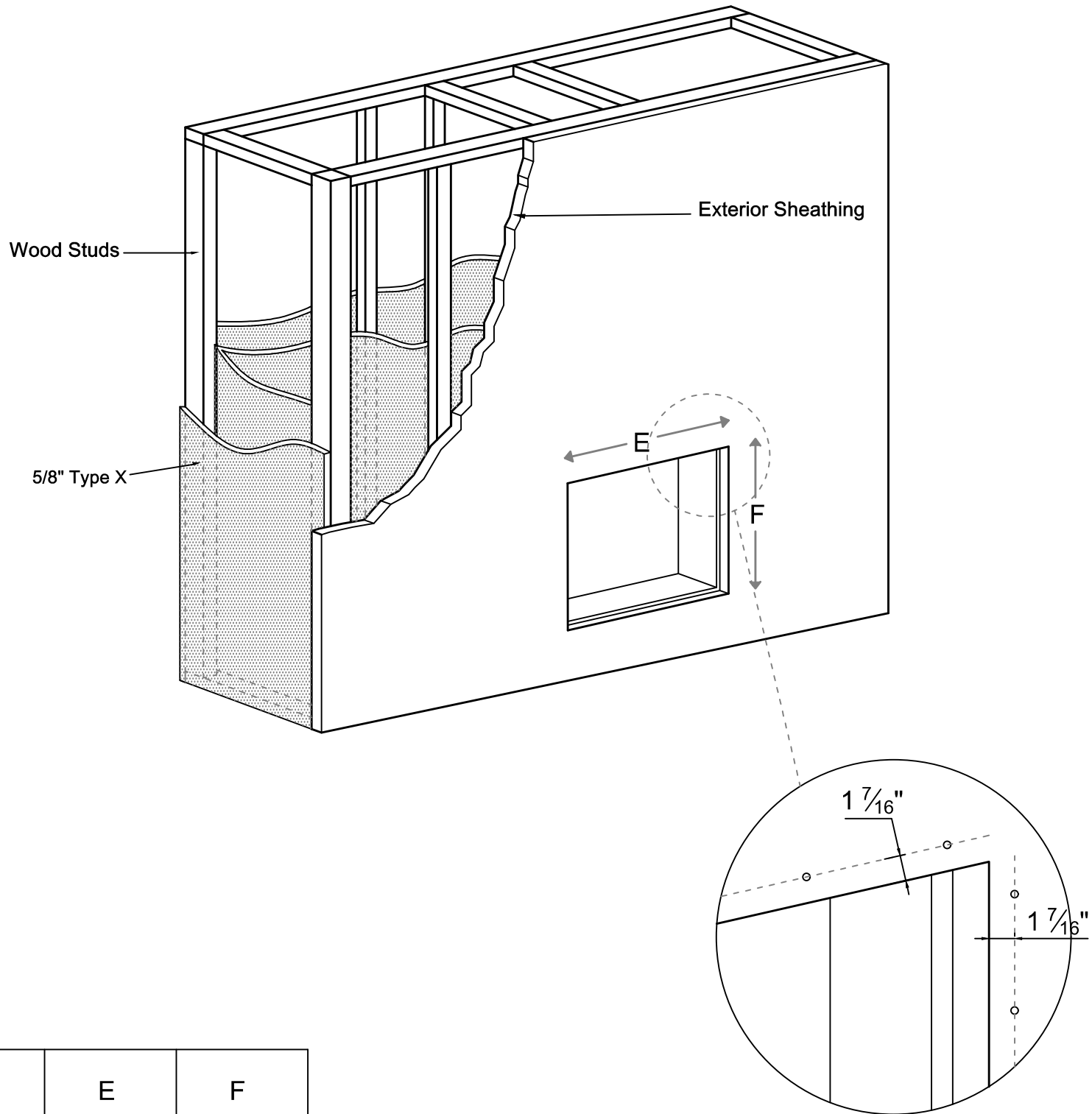
75X65 Indoor-Outdoor Double Glass - Flush



Model	A	B	C	D
110	18"	40 $\frac{1}{8}$ "	17 $\frac{11}{16}$ "	10"

Note : 1. Drawings are not to Scale
2. All dimensions in inches



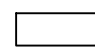
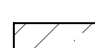

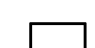
75X65 Indoor-Outdoor Double Glass - Flush



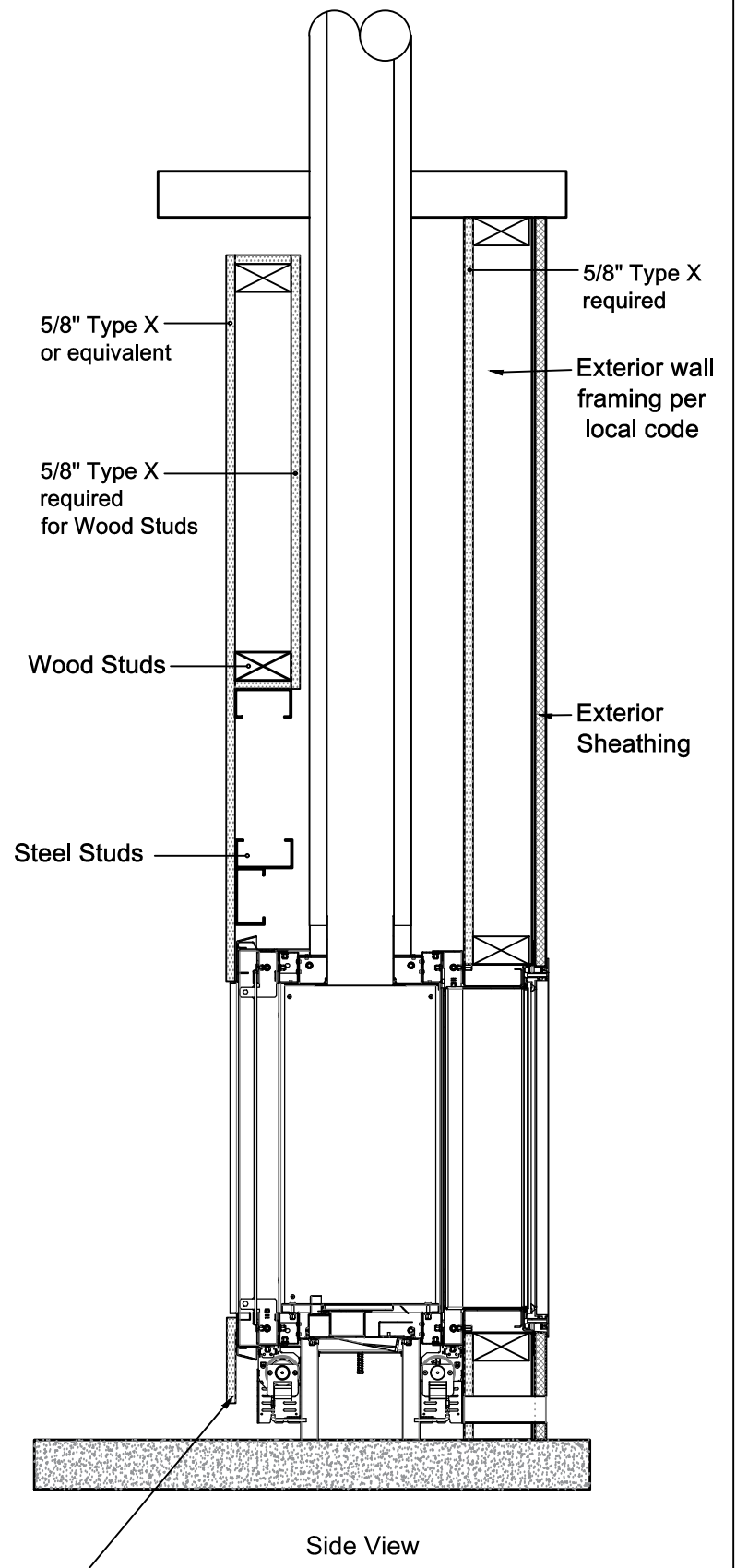
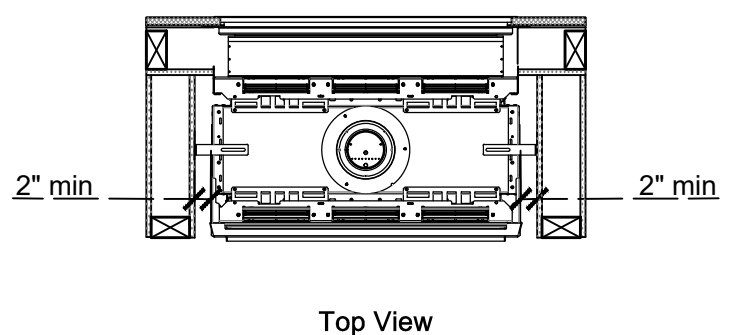
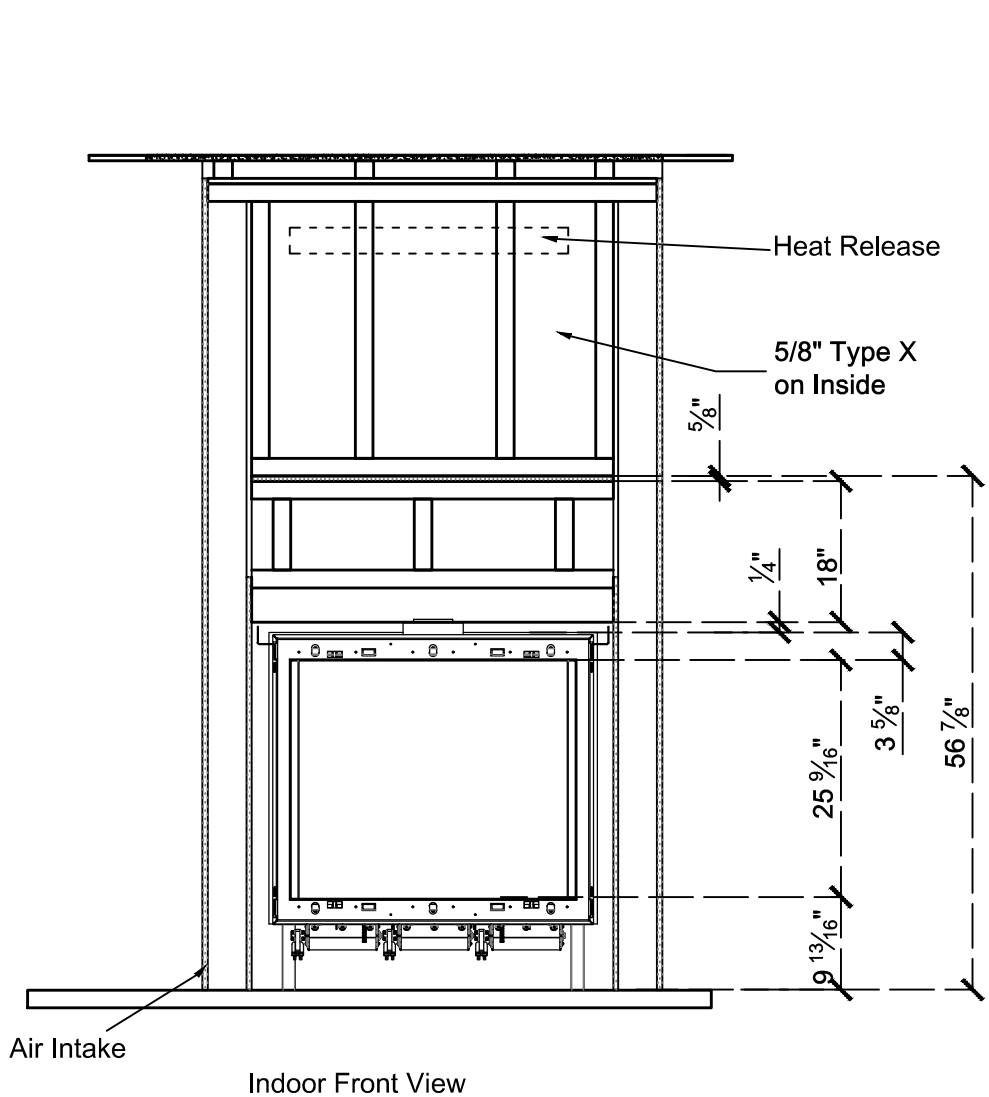
Model	E	F
110	32 1/4"	28 1/4"

Note : 1. Drawings are not to Scale
2. All dimensions in inches

LEGEND

 5/8" Type X	 Steel	 Wood
 Glass	 Wood Studs	 Steel Studs

75X65 Indoor-Outdoor Double Glass - Flush



Add Drywall nailer as needed maintain 2" clearance to any part of Fireplace

Clearance 2" from each side to non combustible material

The valve can be moved 36" - 40" from the center of the fireplace in any direction

Note : 1. Drawings are not to Scale
2. All dimensions in inches