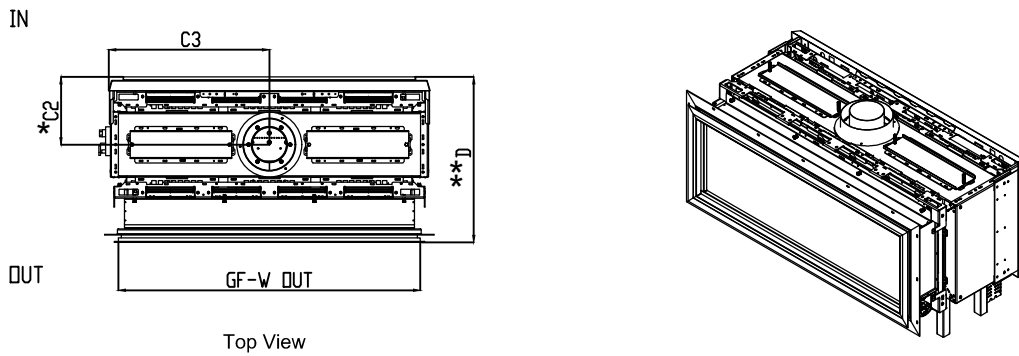
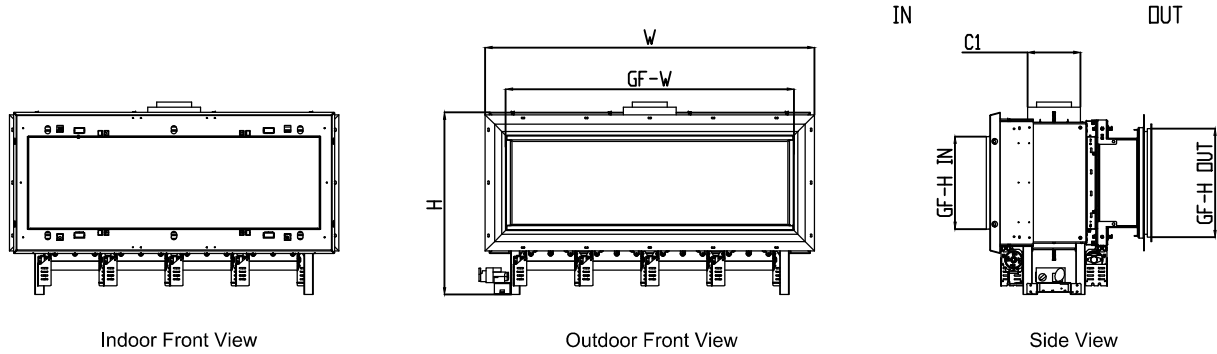


110-200 Indoor-Outdoor Double Glass - Flush

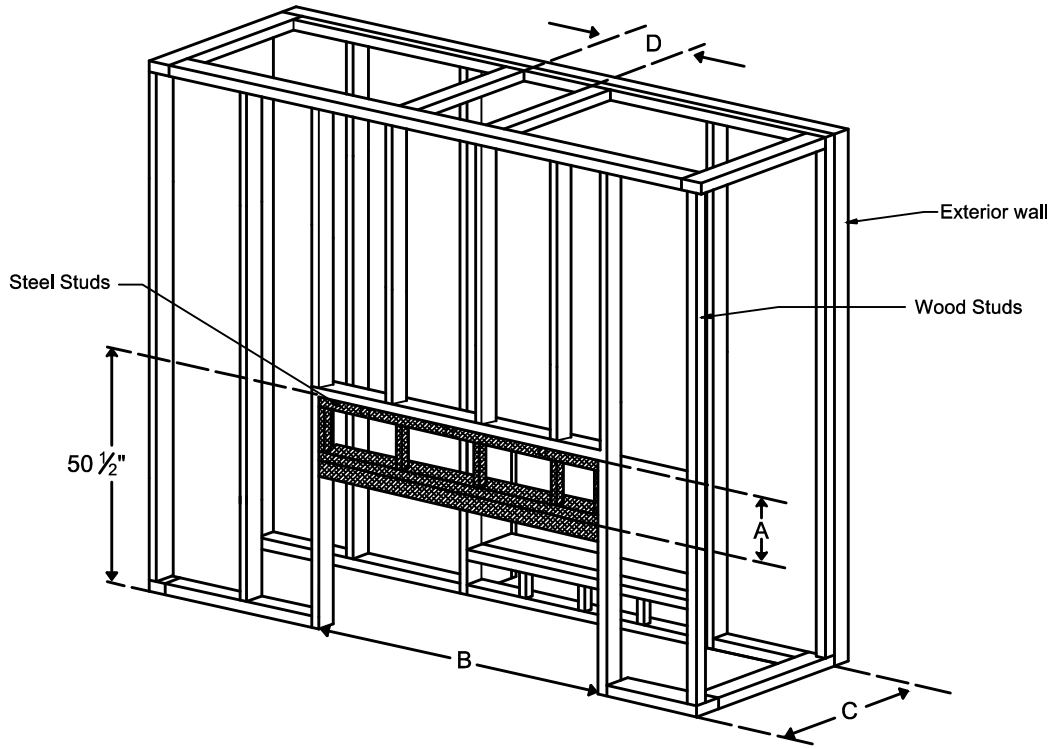


Model	(H) Height	(W) Width	(D) Depth		C1	C2	C3	Glass Opening	
			MAX	MIN				(GF) IN	(GF) OUT
110	27 ³ / ₁₆ "	49 ¹ / ₈ "	8 ¹ / ₂ "	5 ⁵ / ₁₆ "	7 ⁷ / ₈ "	10 ¹ / ₁₆ "	23 ¹⁵ / ₁₆ "	43 ⁵ / ₈ " W X 13 ³ / ₄ " H	45" W X 16 ³ / ₁₆ " H
130	27 ³ / ₁₆ "	55 ¹³ / ₁₆ "	8 ¹ / ₂ "	5 ⁵ / ₁₆ "	7 ⁷ / ₈ "	10 ¹ / ₁₆ "	27 ⁵ / ₁₆ "	50 ⁵ / ₁₆ " W X 13 ³ / ₄ " H	51 ¹¹ / ₁₆ " W X 16 ³ / ₁₆ " H
150	27 ³ / ₁₆ "	65 ⁵ / ₈ "	8 ¹ / ₂ "	5 ⁵ / ₁₆ "	7 ⁷ / ₈ "	10 ¹ / ₁₆ "	32 ³ / ₁₆ "	60 ³ / ₁₆ " W X 13 ³ / ₄ " H	61 ⁹ / ₁₆ " W X 16 ³ / ₁₆ " H
170	27 ³ / ₁₆ "	73 ¹ / ₂ "	8 ¹ / ₂ "	5 ⁵ / ₁₆ "	7 ⁷ / ₈ "	10 ¹ / ₁₆ "	36 ¹ / ₈ "	68 ¹ / ₁₆ " W X 13 ³ / ₄ " H	69 ⁷ / ₁₆ " W X 16 ³ / ₁₆ " H
200	27 ³ / ₁₆ "	82 ¹⁵ / ₁₆ "	8 ¹ / ₂ "	5 ⁵ / ₁₆ "	7 ⁷ / ₈ "	10 ¹ / ₁₆ "	40 ³ / ₄ "	77 ¹ / ₂ " W X 13 ³ / ₄ " H	78 ⁷ / ₈ " W X 16 ³ / ₁₆ " H

* Dimensions includes 1/2" lip (for drywall)
** Dimensions includes 2 X 1/2" lip (for drywall)

Note : 1. Drawings are not to Scale
2. All dimensions in inches

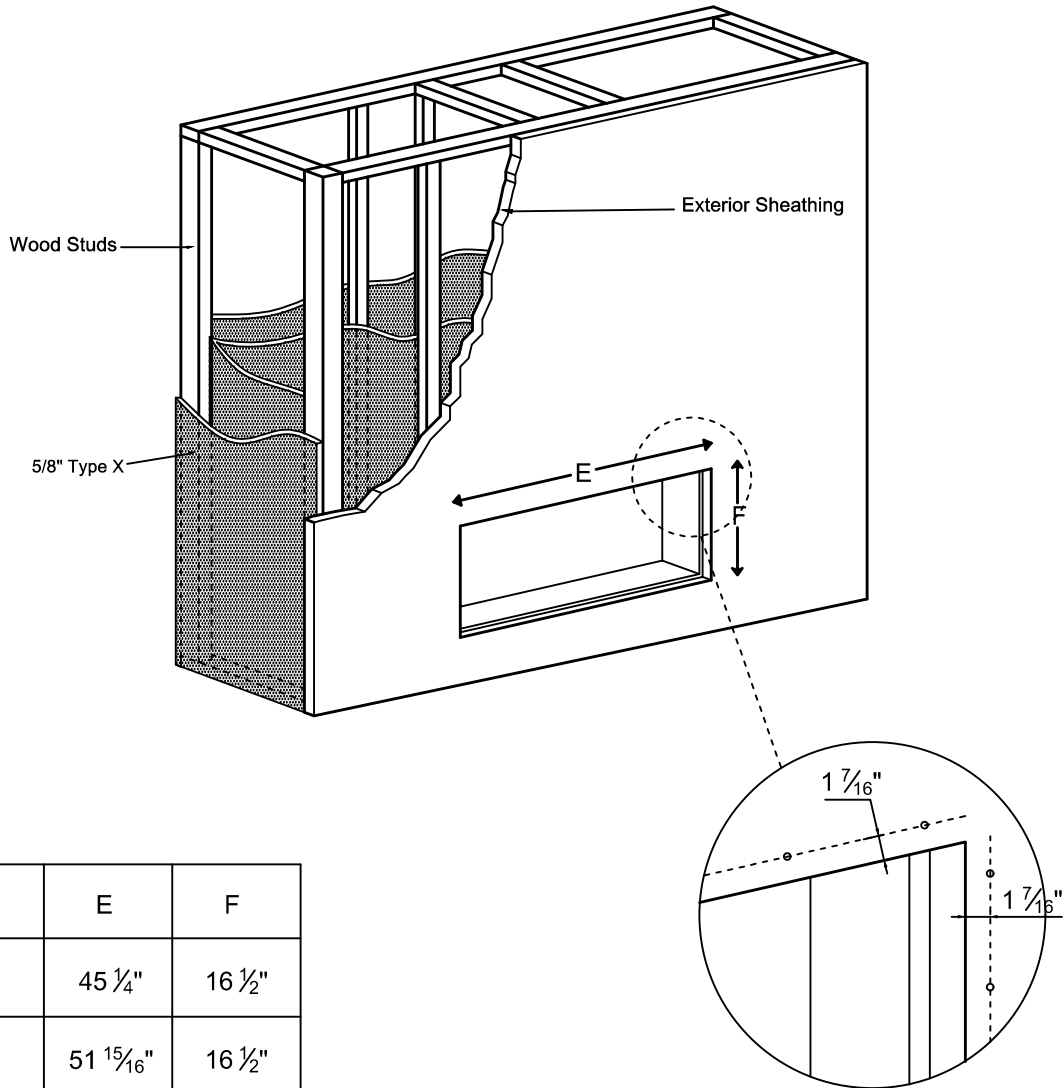
110-200 Indoor-Outdoor Double Glass - Flush



Model	A	B	C	D
110	22 $\frac{7}{16}$ "	53 $\frac{1}{8}$ "	17 $\frac{1}{16}$ "	10"
130	22 $\frac{7}{16}$ "	59 $\frac{13}{16}$ "	17 $\frac{1}{16}$ "	10"
150	22 $\frac{7}{16}$ "	69 $\frac{1}{16}$ "	17 $\frac{1}{16}$ "	10"
170	22 $\frac{7}{16}$ "	77 $\frac{9}{16}$ "	17 $\frac{1}{16}$ "	10"
200	22 $\frac{7}{16}$ "	87"	17 $\frac{1}{16}$ "	10"

Note : 1. Drawings are not to Scale
2. All dimensions in inches

110-200 Indoor-Outdoor Double Glass - Flush



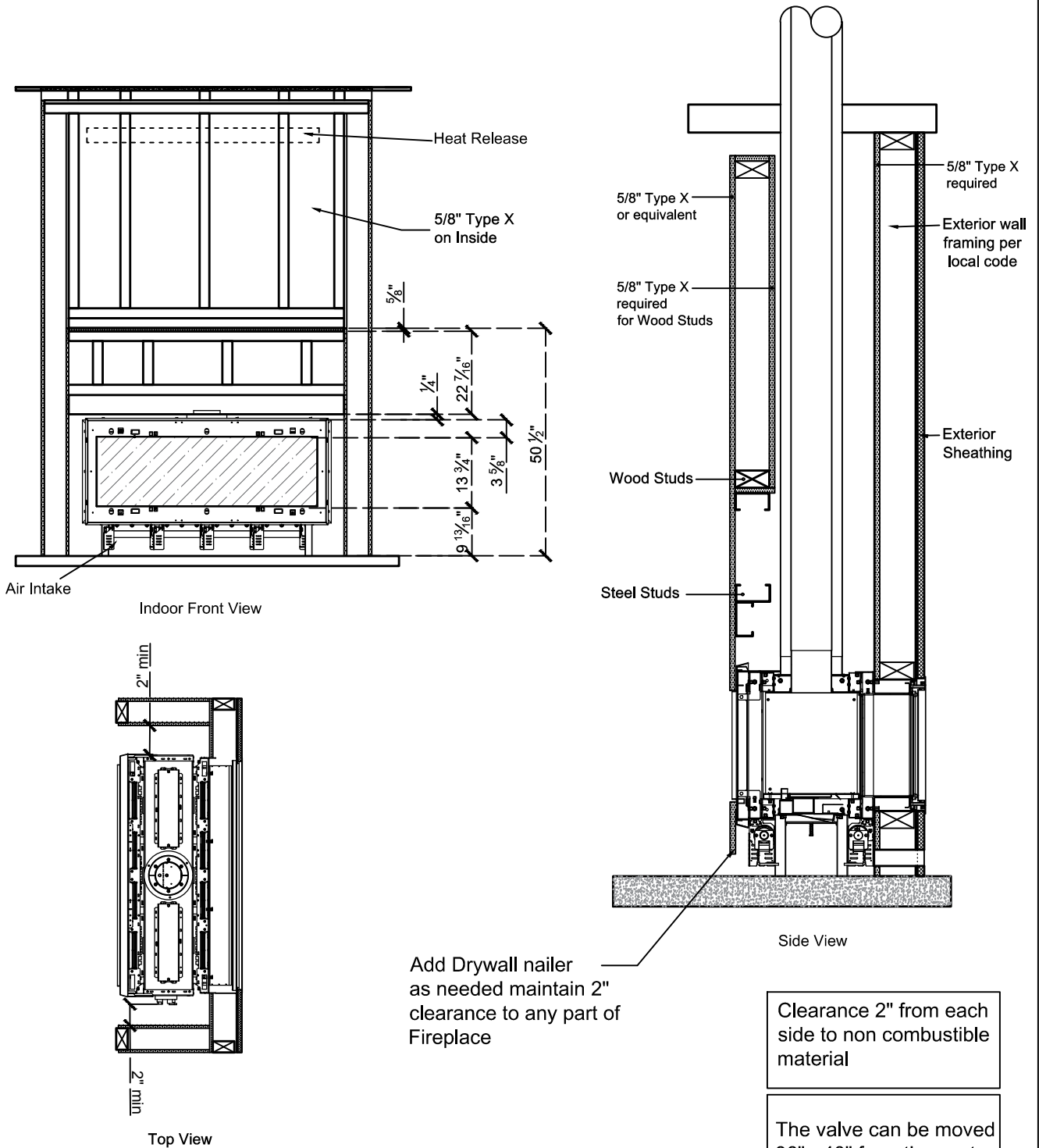
Model	E	F
110	45 1/4"	16 1/2"
130	51 15/16"	16 1/2"
150	61 13/16"	16 1/2"
170	69 13/16"	16 1/2"
200	79 1/8"	16 1/2"

Note : 1. Drawings are not to Scale
2. All dimensions in inches

LEGEND

- 5/8" Type X
- Steel
- Wood
- Glass
- Wood Studs
- Steel Studs

110-200 Indoor-Outdoor Double Glass - Flush



Add Drywall nailer as needed maintain 2" clearance to any part of Fireplace

Clearance 2" from each side to non combustible material

The valve can be moved 36" - 40" from the center of the fireplace in any direction

Note : 1. Drawings are not to Scale
2. All dimensions in inches