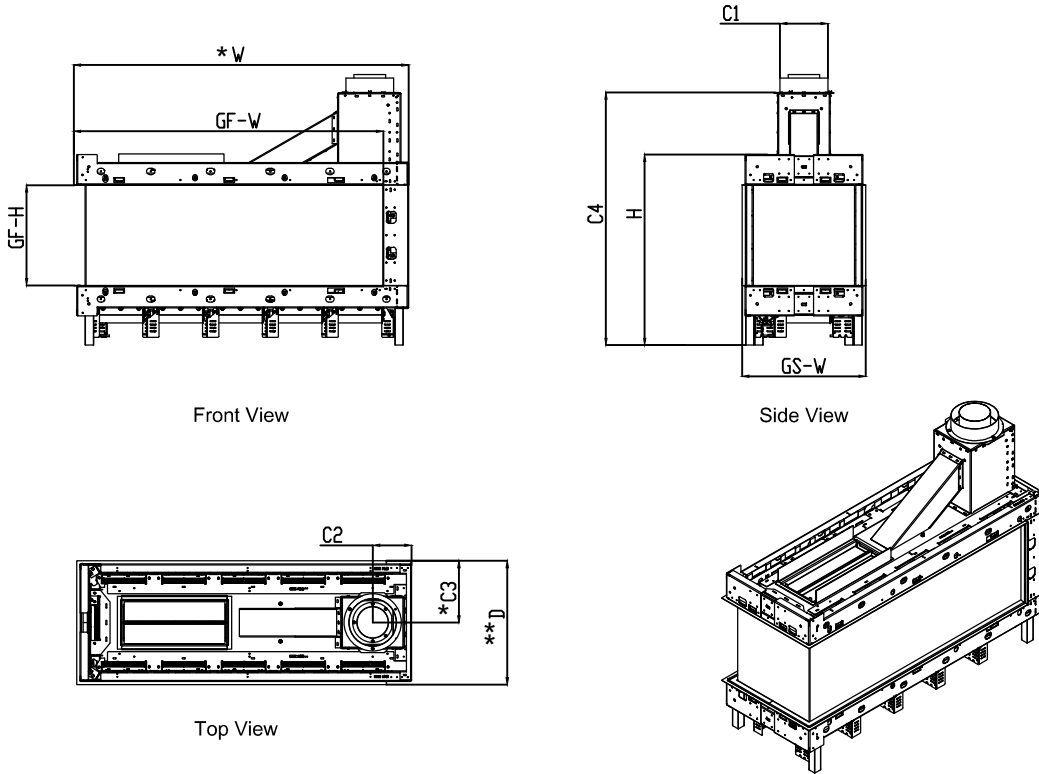


120/150/200 Space Creator Double Glass/Protective Screen - Flush



Model	(H) Height	(W) Width	(D) Depth	C1	C2	C3	C4	Glass Opening	
								(GF) Front	(GS) Side
120	31 3/8"	55 3/16"	20 3/8"	7 7/8"	6 3/8"	10 3/16"	41 5/8"	51" W X 16 1/16" H	20 3/8" W X 16 1/16" H
150	31 3/8"	67 1/16"	20 3/8"	7 7/8"	6 7/16"	10 3/16"	41 5/8"	62 7/8" W X 16 1/16" H	20 3/8" W X 16 1/16" H
200	31 3/8"	87 1/8"	20 3/8"	7 7/8"	9 5/16"	10 3/16"	41 3/4"	80 1/8" W X 16 1/16" H	20 3/8" W X 16 1/16" H

* Dimensions includes 1/2" lip (for drywall)

** Dimensions includes 2 X 1/2" lip (for drywall)

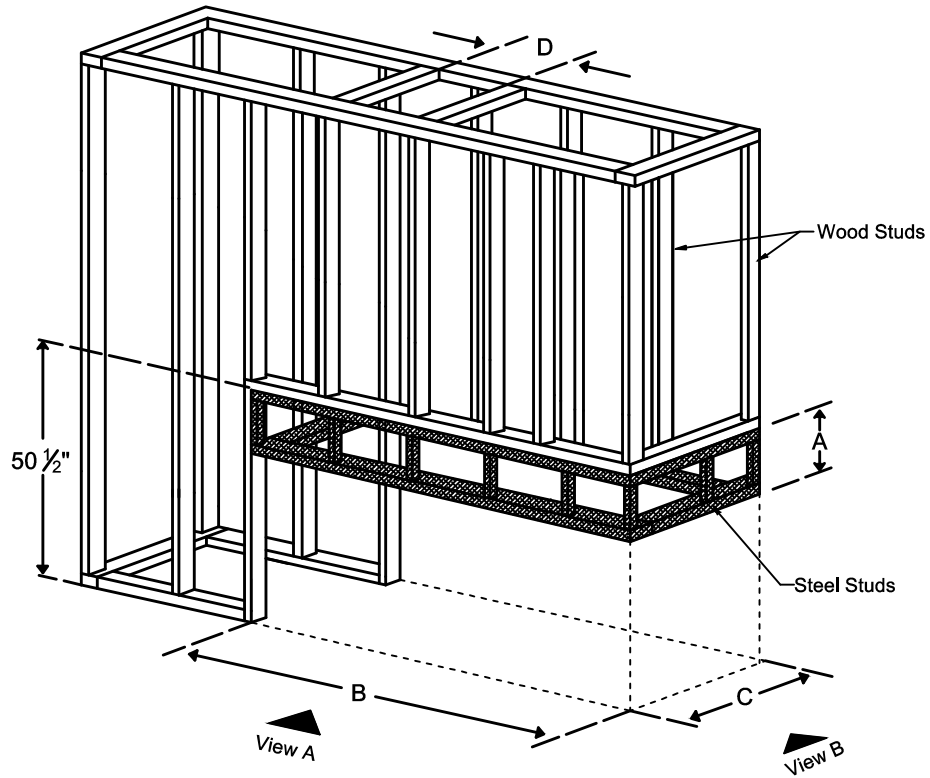
Note : 1. Drawings are not to Scale

2. All dimensions in inches

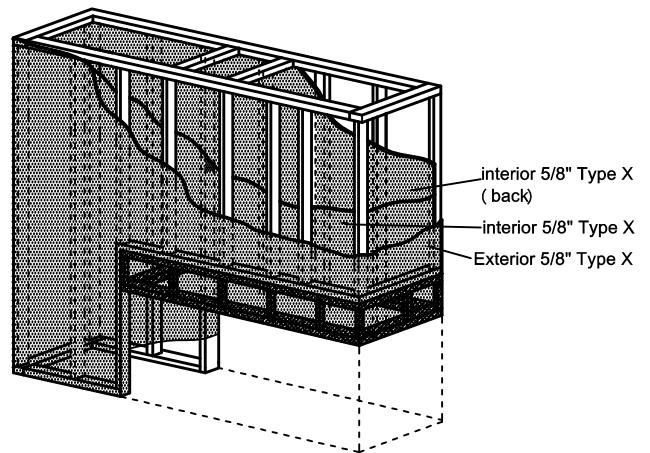
3. The dimensions are both for

Double Glass and Protective Screen

120/150/200 Space Creator Double Glass/Protective Screen - Flush



Model	A	B	C	D
120	18 1/4"	57 5/16"	19 3/8"	10"
150	18 1/4"	69 3/16"	19 3/8"	10"
200	18 1/4"	89 1/4"	19 3/8"	10"

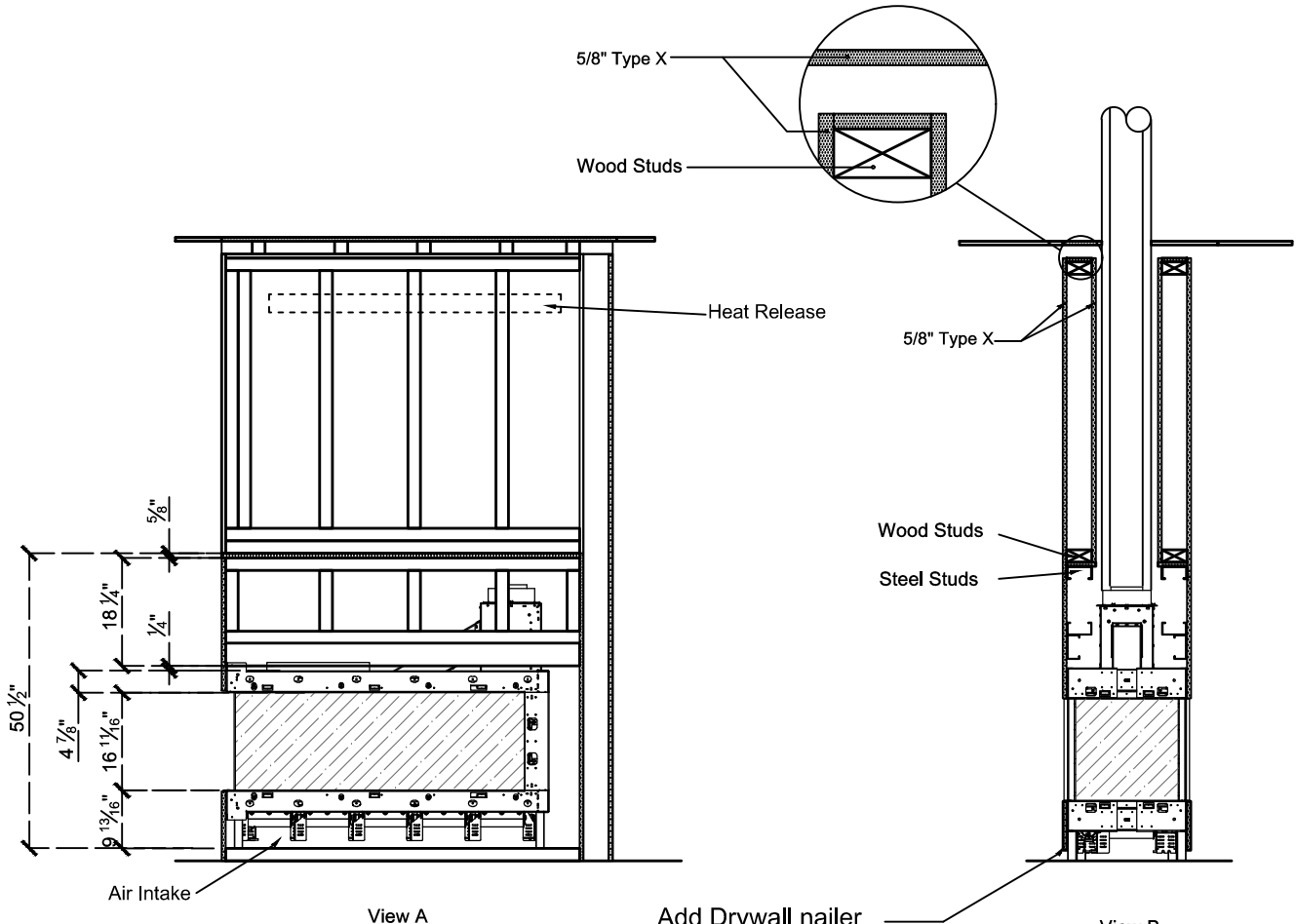


Note : 1. Drawings are not to Scale
2. All dimensions in inches
3. The dimensions are both for Double Glass and Protective Screen

LEGEND

- 5/8" Type X
- Steel
- Wood
- Glass
- Wood Studs
- Steel Studs

120/150/200 Space Creator Double Glass/Protective Screen - Flush



Add Drywall nailer as needed maintain 2" clearance to any part of Fireplace

Additional supports or cross bracing may be needed to support the framing. No weight can be transferred to the fireplace. **ALL FRAMING MUST BE SELF SUPPORTED.**

Clearance 2" from each side to non combustible material

The valve can be moved 36" - 40" from the center of the fireplace in any direction

- Note :
1. Drawings are not to Scale
 2. All dimensions in inches
 3. The dimensions are both for Double Glass and Protective Screen