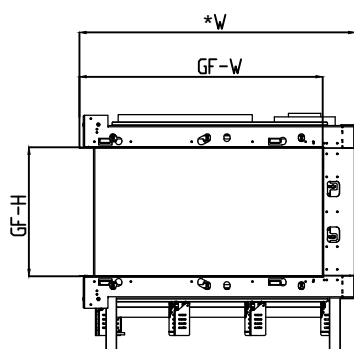


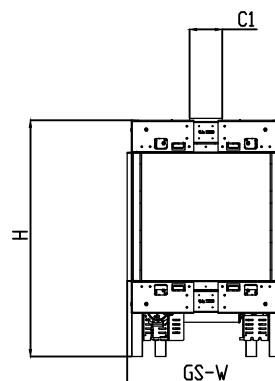


Manufacturer Update - Fireplace Legs Modification
 Manufacturer Effective Date: March 20th 2018
 Serial Number Forward #15275

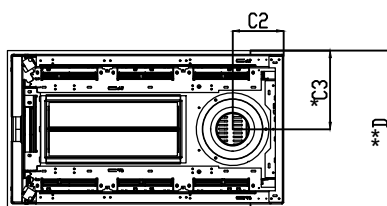
Space Creator 75 Framing Information



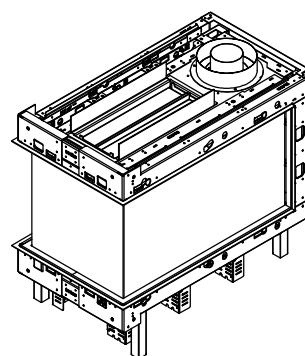
Front View



Side View



Top View



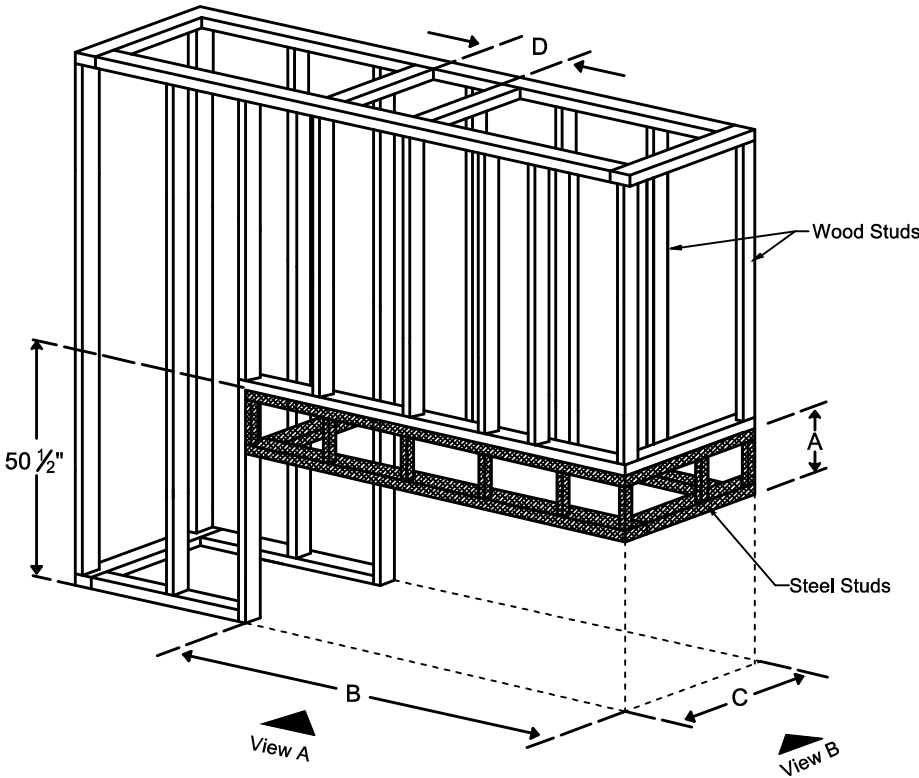
Model	(H) Height	(W) Width	(D) Depth	C1	C2	C3	Glass Opening	
							(GF) Front	(GS) Side
75	30 5/8"	35 13/16"	20 3/8"	7 7/8"	6 5/8"	10 3/16"	31 9/16" W X 16 11/16" H	20 3/8" W X 16 11/16" H

- * Dimensions includes 1/2" lip (for drywall)
- ** Dimensions includes 2 X 1/2" lip (for drywall)
- Note : 1. Drawings are not to Scale
- 2. All dimensions in inches
- 3. The dimensions are both for Double Glass and Protective Screen

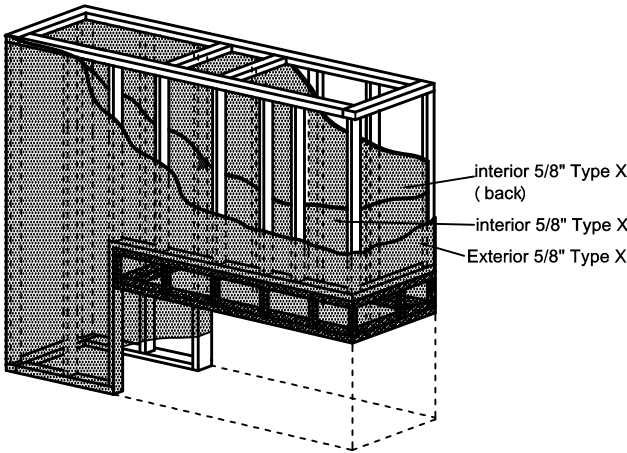


Manufacturer Update - Fireplace Legs Modification
 Manufacturer Effective Date: March 20th 2018
 Serial Number Forward #15275

Space Creator 75 Framing Information



Model	A	B	C	D
75	19"	37 ¹⁵ / ₁₆ "	19 ³ / ₈ "	10"



Note : 1. Drawings are not to Scale
 2. All dimensions in inches
 3. The dimensions are both for Double Glass and Protective Screen

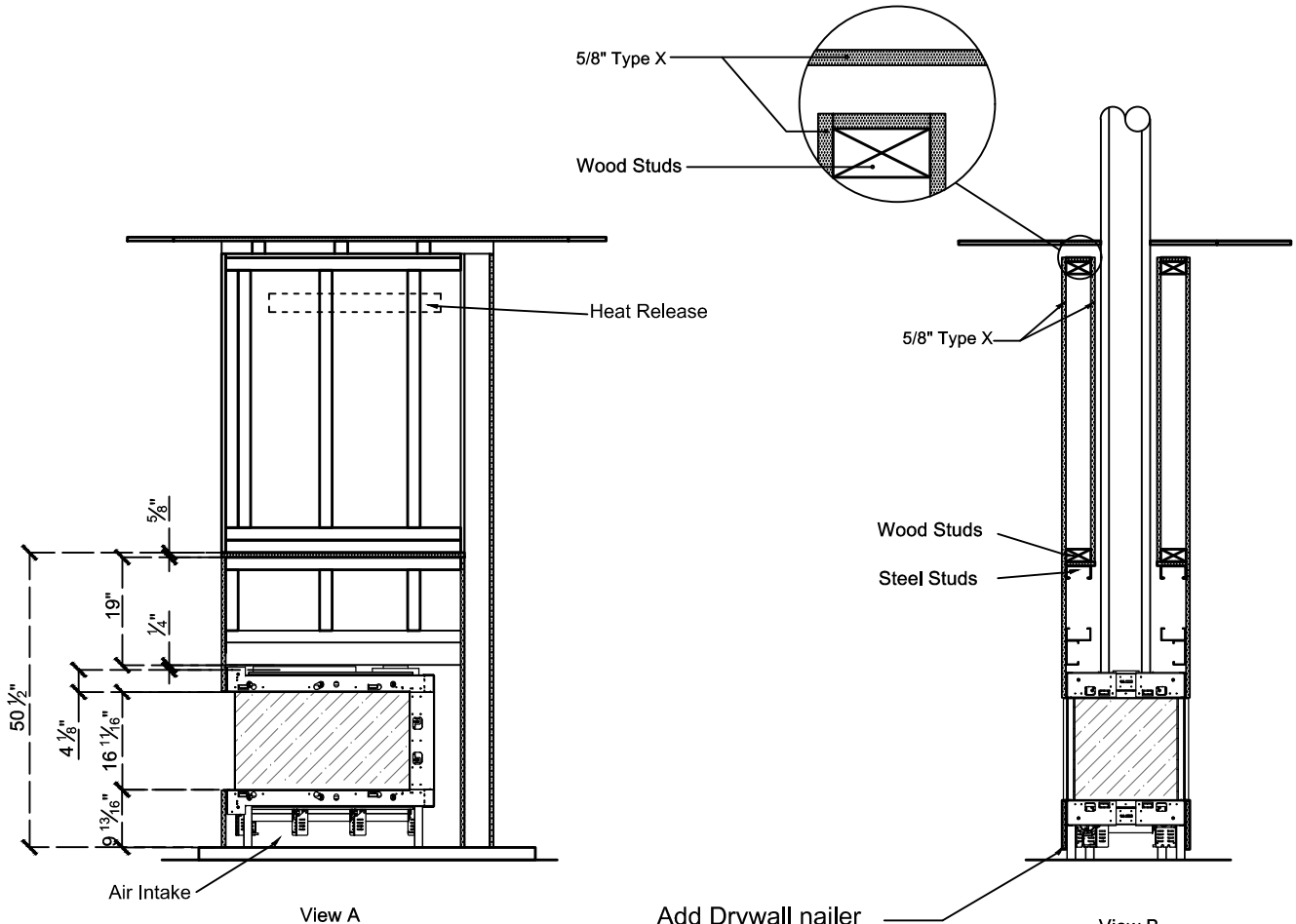
LEGEND

5/8" Type X	Steel	Wood
Glass	Wood Studs	Steel Studs



Manufacturer Update - Fireplace Legs Modification
 Manufacturer Effective Date: March 20th 2018
 Serial Number Forward #15275

Space Creator 75 Framing Information

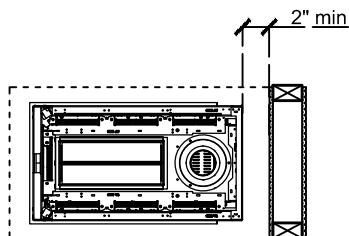


Add Drywall nailer as needed maintain 2" clearance to any part of Fireplace

Additional supports or cross bracing may be needed to support the framing. No weight can be transferred to the fireplace. **ALL FRAMING MUST BE SELF SUPPORTED.**

Clearance 2" from each side to non combustible material

The valve can be moved 36" - 40" from the center of the fireplace in any direction



Top View

- Note :**
1. Drawings are not to Scale
 2. All dimensions in inches
 3. The dimensions are both for Double Glass and Protective Screen