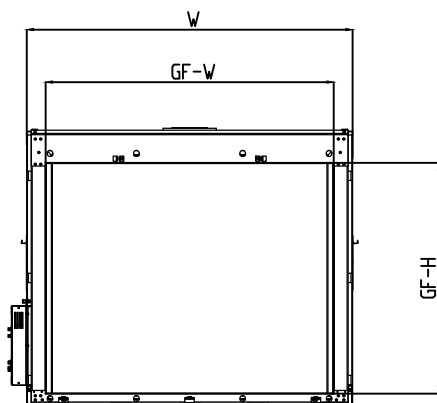
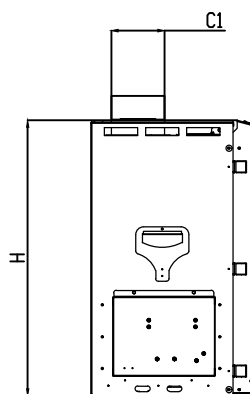




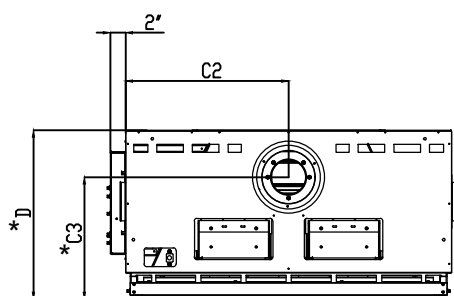
90-110 Traditional Framing Information



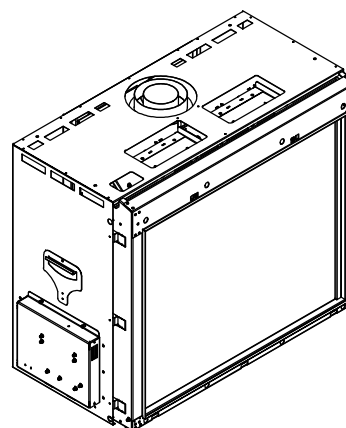
Front View



Left Side View



Top View



Model	(H) Height	(W) Width	(D) Depth	C1	C2	C3	Glass Opening	
							(GF) Front	(GS) Side
90	37 5/8"	40 13/16"	25 1/16"	7 7/8"	20 3/8"	18 1/16"	35 7/16" W X 31 5/8" H	—
110	40 13/16"	48 5/16"	25 1/16"	7 7/8"	24 1/8"	18 1/16"	42 1/16" W X 34 1/8" H	—

* Dimensions includes 1/2" lip (for drywall)

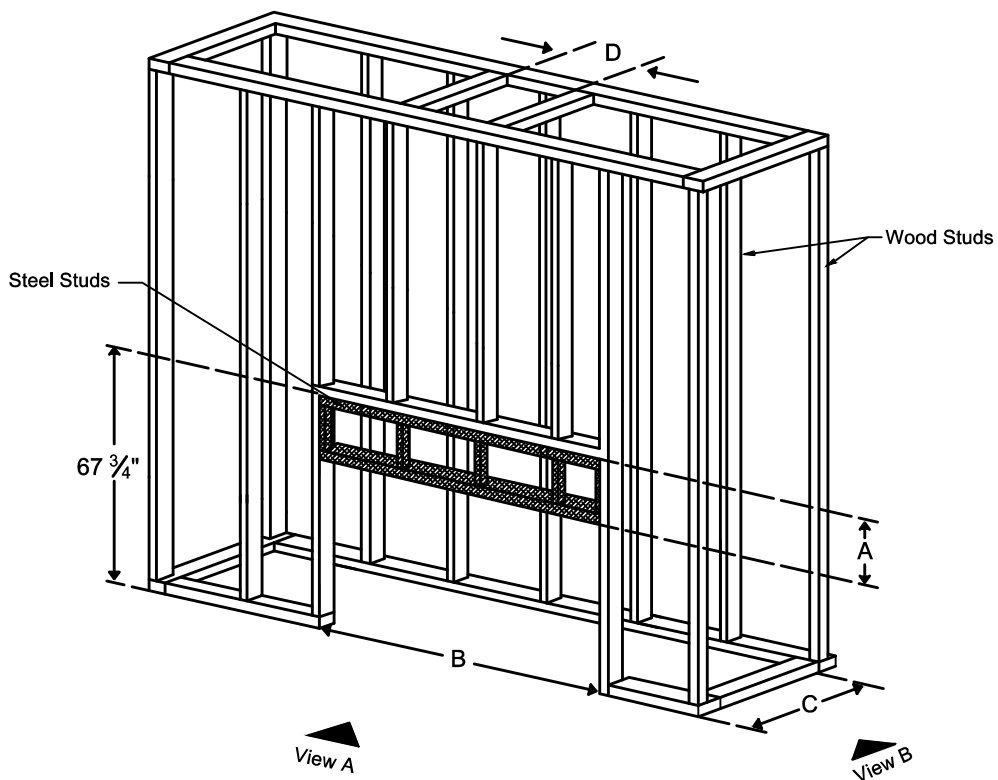
Note : 1. Drawings are not to Scale

2. All dimensions in inches

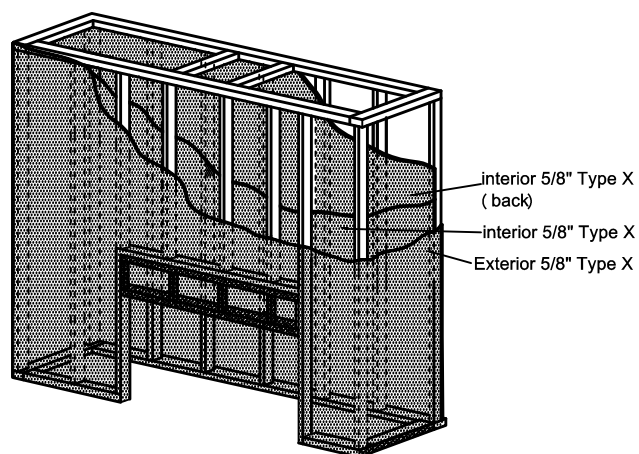


90-110 Traditional Framing Information

Standard Frame



Model	A	B	C	D
90	29 1/4"	46 1/16"	27 3/16"	10"
110	26 1/16"	53 9/16"	27 3/16"	10"



LEGEND

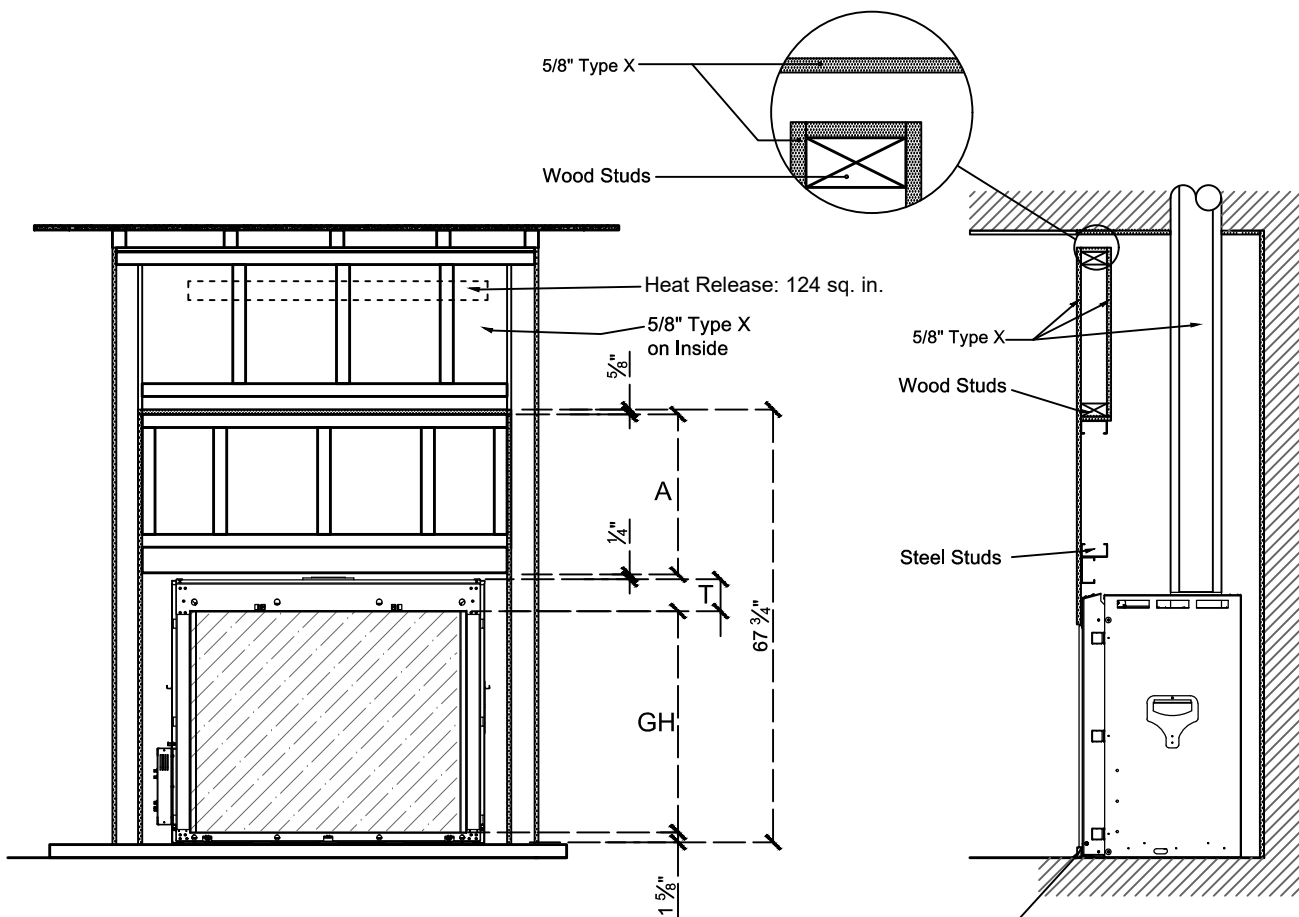
-  5/8" Type X
-  Steel
-  Wood
-  Glass
-  Wood Studs
-  Steel Studs

Note : 1. Drawings are not to Scale
 2. All dimensions in inches



90-110 Traditional Framing Information

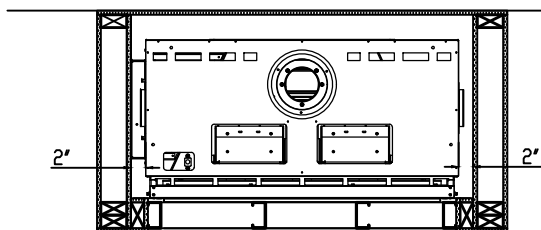
Standard Frame



View A

View B

Add Drywall nailer as needed maintain 2" clearance to any part of Fireplace



Top View

Model	T	GH
90	4 3/8"	31 5/8"
110	5 1/16"	34 1/8"

Clearance 2" from each side to non combustible material

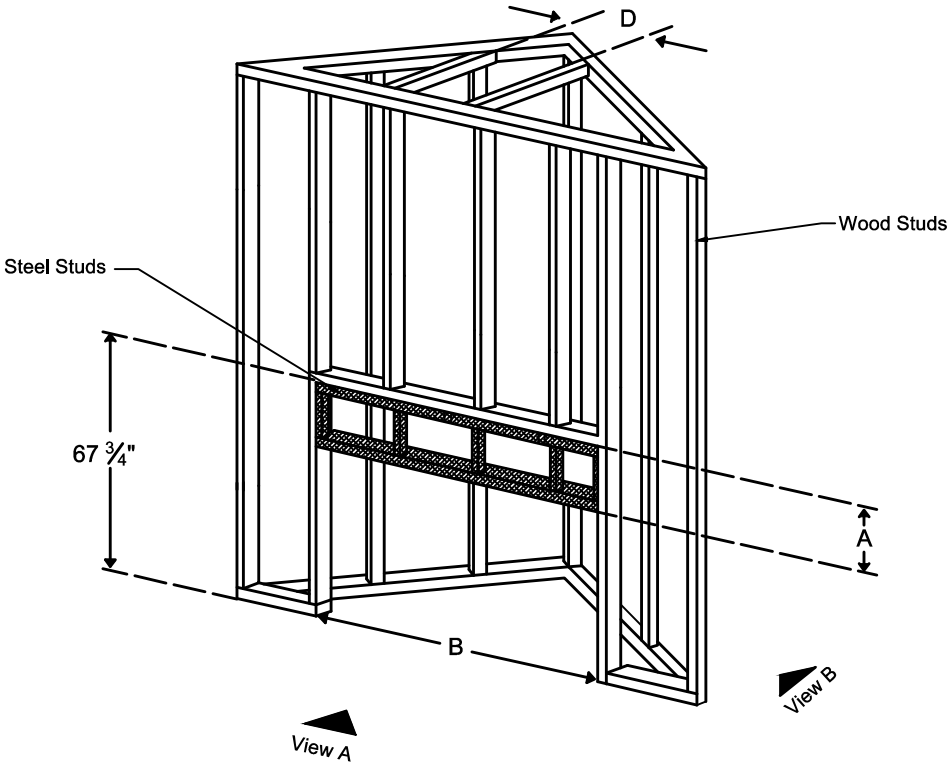
No access panel required for TR series. Gas/ electrical components are located on the left side of the unit and are accessible through the left interior panel of the fireplace.

Note : 1. Drawings are not to Scale
2. All dimensions in inches

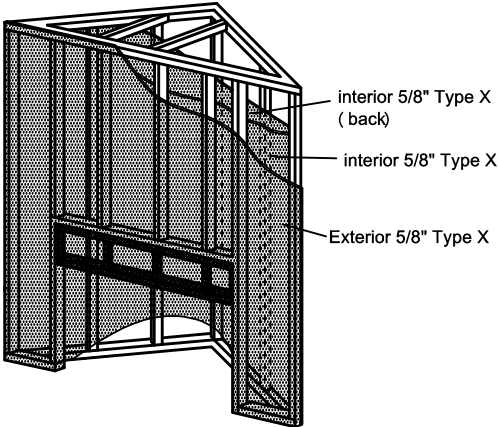


90-110 Traditional Framing Information

Corner Frame








Model	A	B	D
90	29 1/4"	46 1/16"	10"
110	26 1/16"	53 9/16"	10"



Note : 1. Drawings are not to Scale
 2. All dimensions in inches

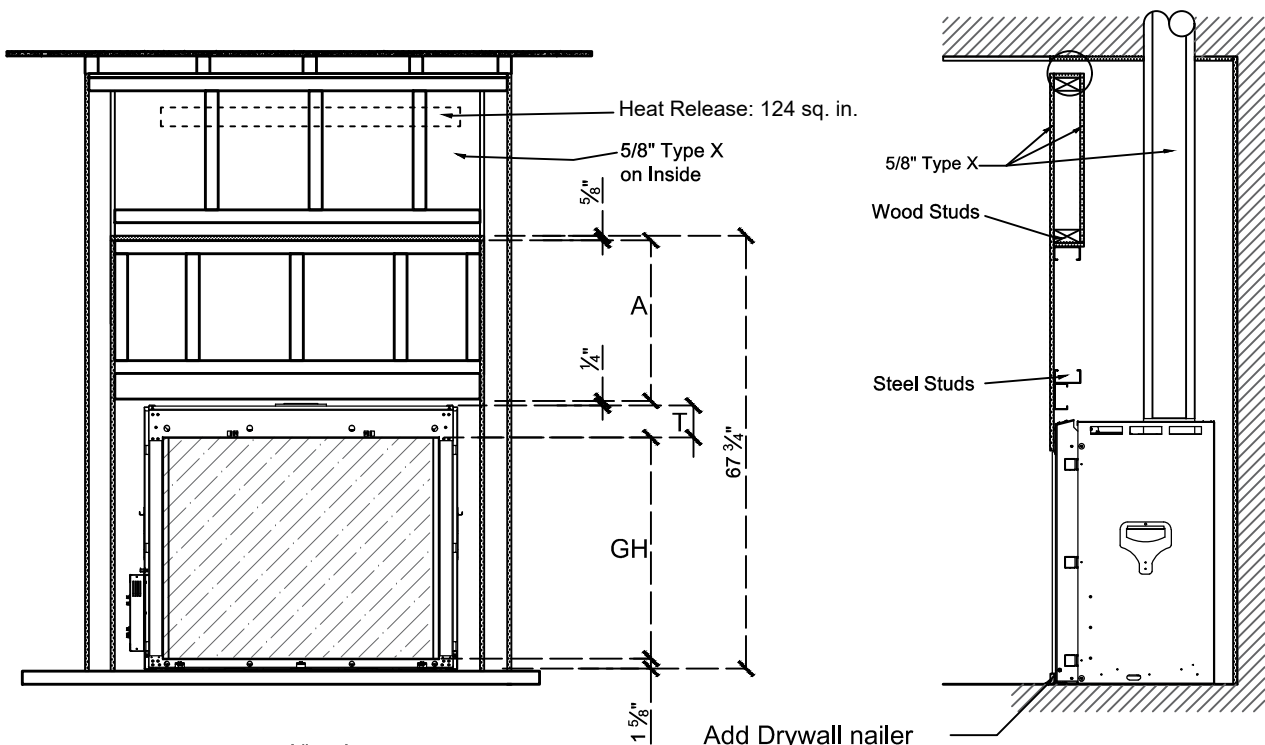
LEGEND

-  5/8" Type X
-  Steel
-  Wood
-  Glass
-  Wood Studs
-  Steel Studs

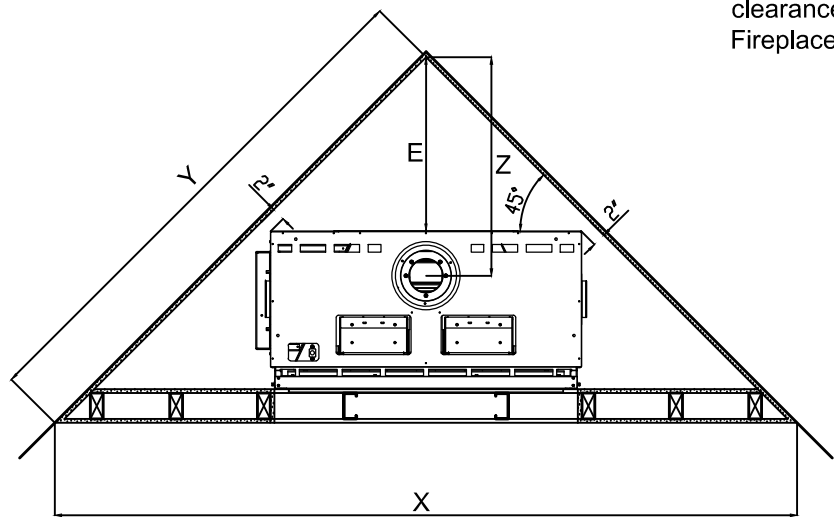


90-110 Traditional Framing Information

Corner Frame



Add Drywall nailer as needed maintain 2" clearance to any part of Fireplace



Clearance 2" from each side to non combustibile material

No access panel required for TR series. Gas/electrical components are located on the left side of the unit and are accessible through the left interior panel of the fireplace.

Top View

Note : 1. Drawings are not to Scale
2. All dimensions in inches

Model	X	Y	Z	E	T	GH
90	108"	75 3/4"	30 1/4"	23 1/4"	4 3/8"	31 5/8"
110	114 3/4"	80 1/2"	34"	27"	5 1/16"	34 1/8"