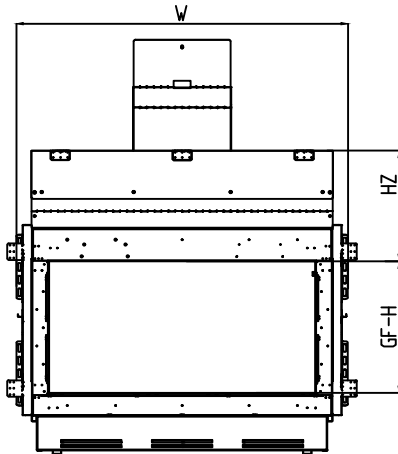
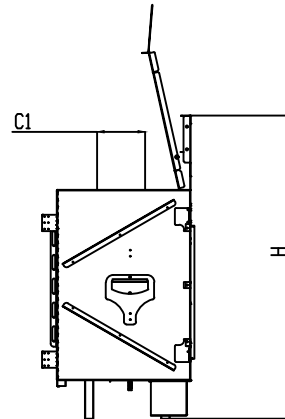


THE WILDERNESS COLLECTION

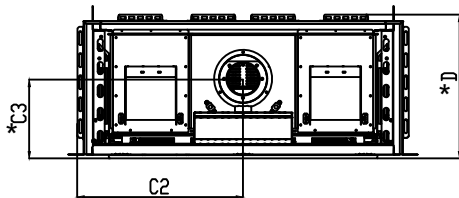
44 H Front Double Glass/Protective Screen - Flush



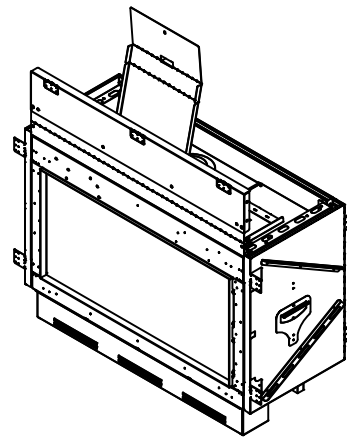
Front View



Side View



Top View



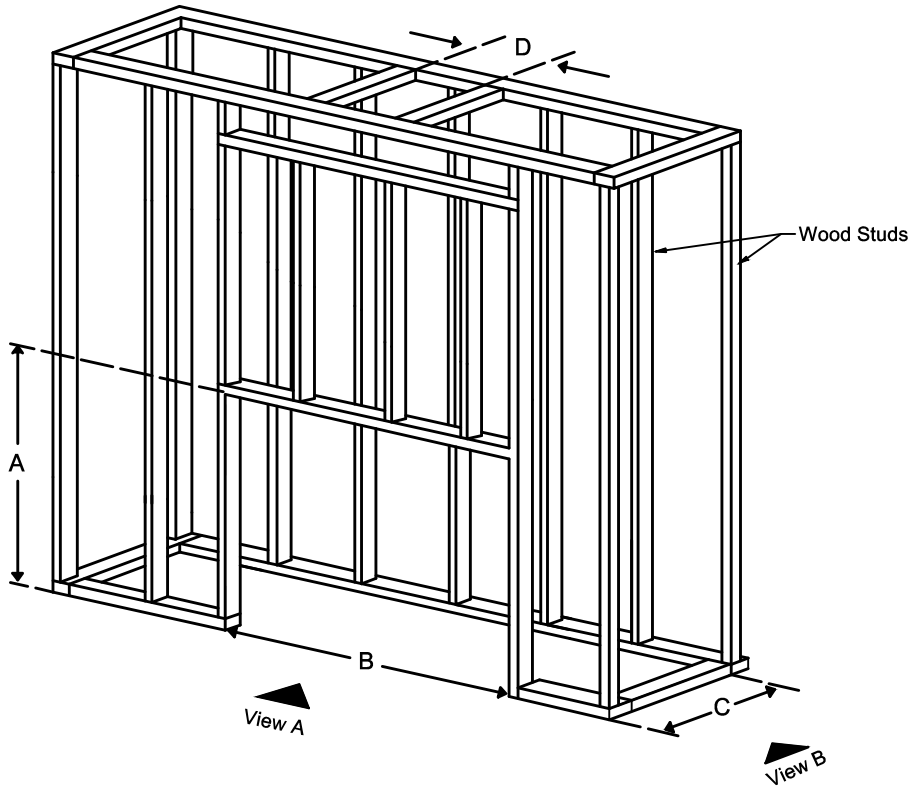
Model	(H) Height	(W) Width	(D) Depth	HZ	C1	C2	C3	Glass Opening	
								(GF) Front	(GS) Side
44 H	49 1/4"	53 15/16"	23 1/4"	18"	7 7/8"	26 1 1/16"	12 13/16"	43 3/16" W X 21 5/8" H	—

* Dimensions include 1/2" lip (for drywall)

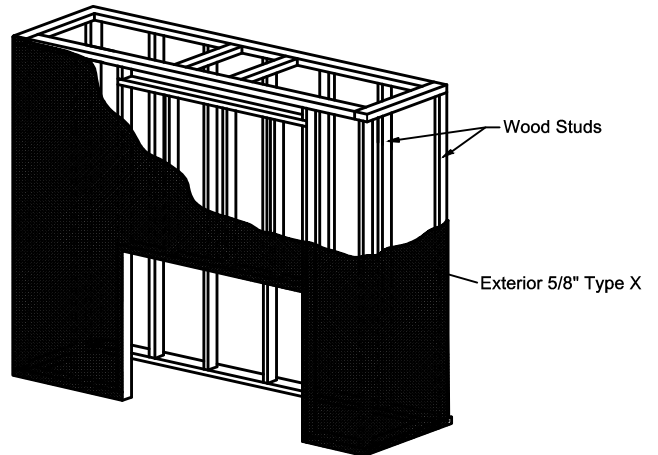
- Note :
1. Drawings are not to Scale
 2. All dimensions are in inches
 3. The dimensions are both for Double Glass and Protective Screen

THE WILDERNESS COLLECTION

44 H Front Double Glass/Protective Screen - Flush



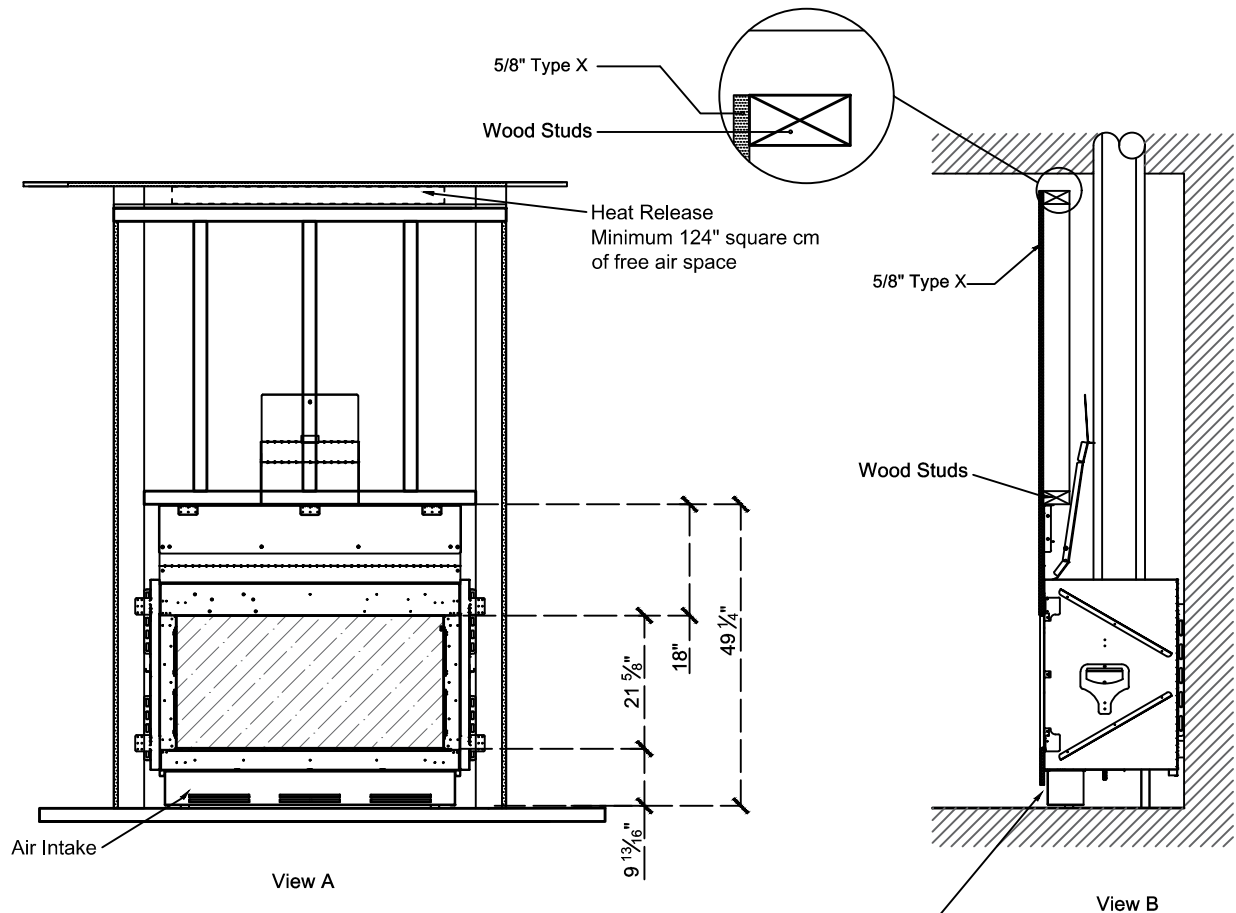
Model	A	B	C	D
44 H	49 1/4"	53 15/16"	23 1/4"	10"



- Note :
1. Drawings are not to Scale
 2. All dimensions are in inches
 3. The dimensions are both for Double Glass and Protective Screen

THE WILDERNESS COLLECTION

44 H Front Double Glass/Protective Screen - Flush



Add Drywall nailer as needed maintain 2" clearance to any part of Fireplace

Clearance 2" from each side to non combustible material.

The valve can be moved 36" - 40" from the center of the fireplace in any direction.

- Note :
1. Drawings are not to Scale
 2. All dimensions are in inches
 3. The dimensions are both for Double Glass and Protective Screen