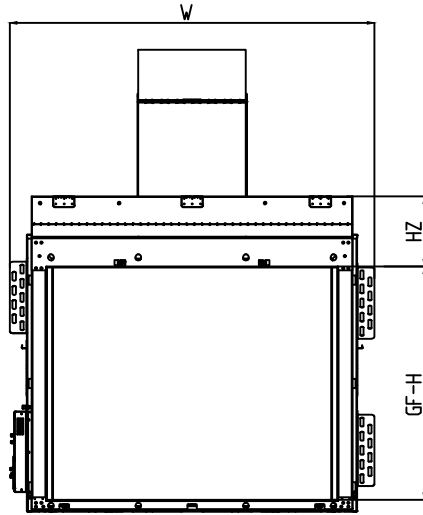


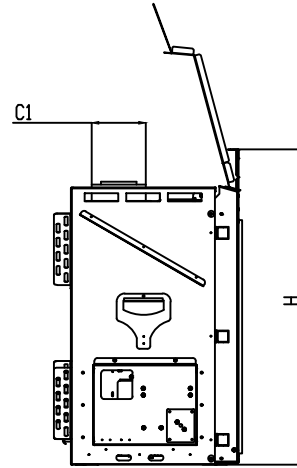


THE WILDERNESS COLLECTION

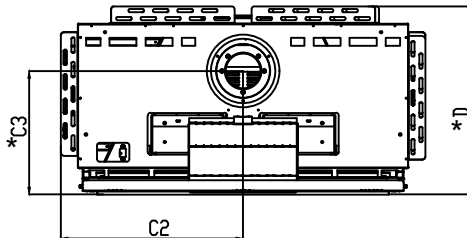
Traditional Wilderness 42 - Protective Screen



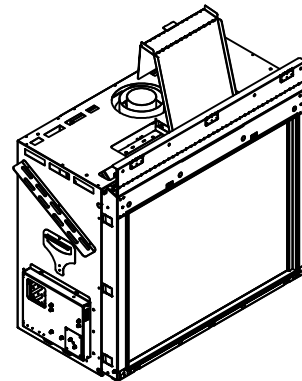
Front View



Side View



Top View



Model	(H) Height	(W) Width	(D) Depth	HZ	C1	C2	C3	Glass Opening	
								(GF) Front	(GS) Side
42	46 1/8"	53 5/16"	27 1/2"	10 3/8"	7 7/8"	26 5/8"	18 1/16"	42 1/16" W X 34 1/8" H	—

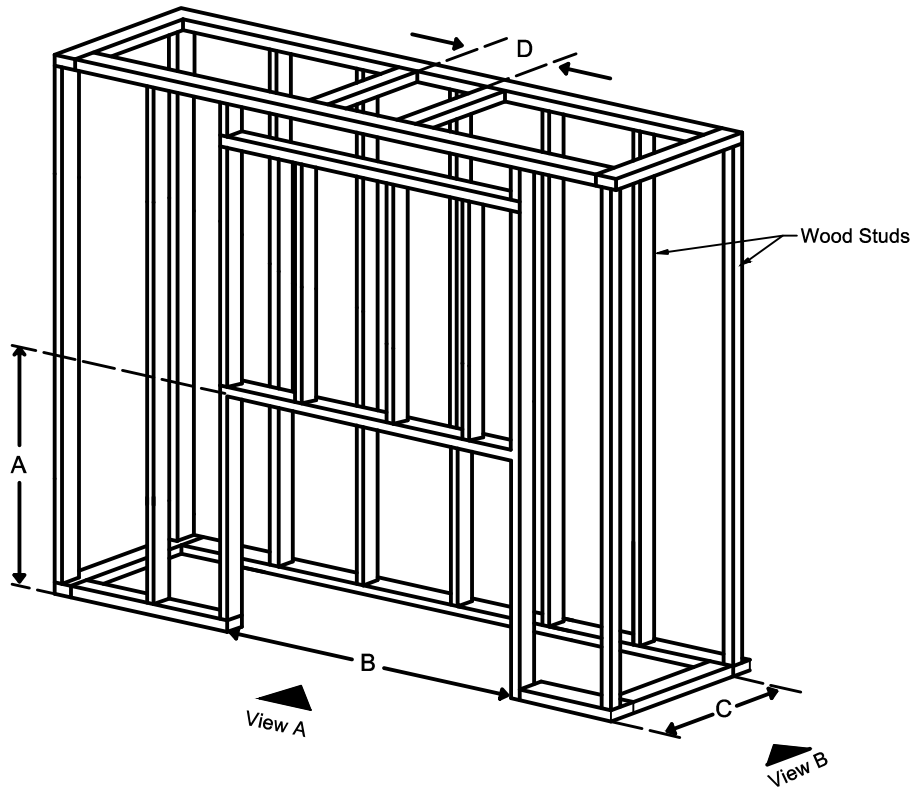
* Dimensions include 1/2" lip (for drywall)

- Note : 1. Drawings are not to Scale
 2. All dimensions are in inches

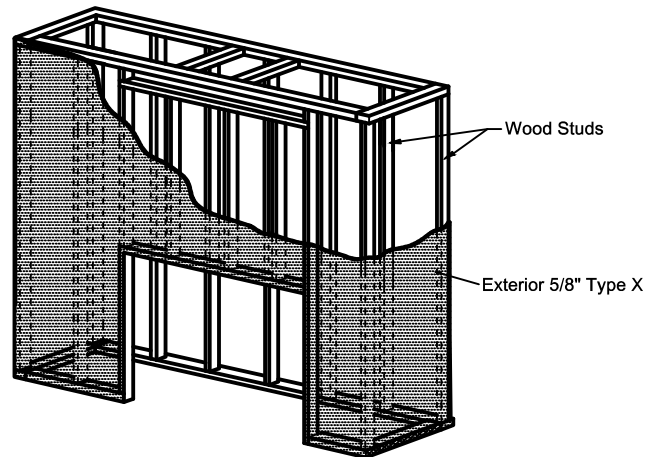


THE WILDERNESS COLLECTION

Traditional Wilderness 42 - Protective Screen



Model	A	B	C	D
42	46 1/8"	53 5/16"	27"	Refer to pipe manufacturer's firestop dimensions

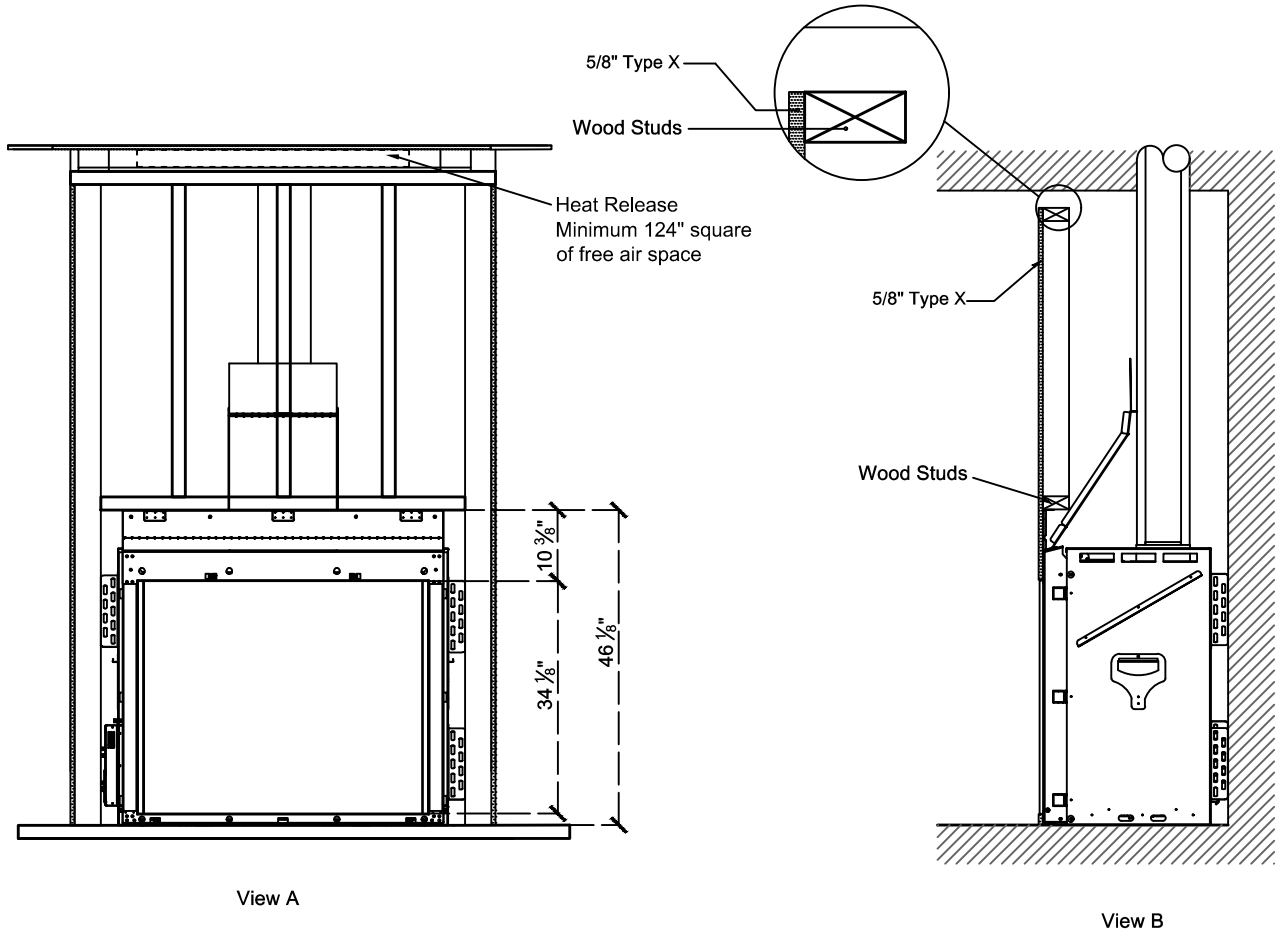


Note : 1. Drawings are not to Scale
 2. All dimensions are in inches

ORTAL
YOUR LIFE. YOUR FIRE

THE WILDERNESS COLLECTION

Traditional Wilderness 42 - Protective Screen



Note : 1. Drawings are not to Scale
2. All dimensions are in inches