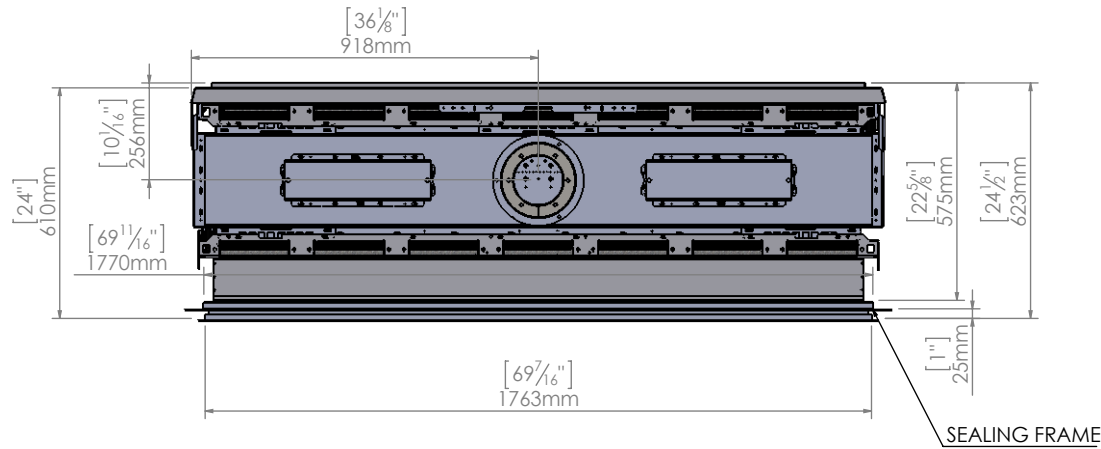
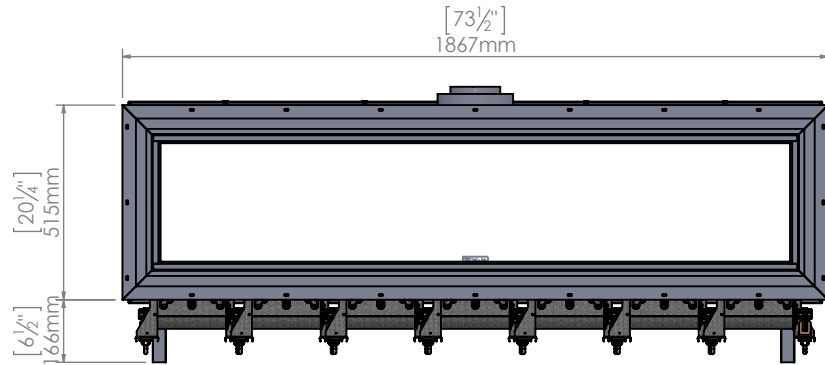


170 Tunnel Indoor-Outdoor



IN

OUT

