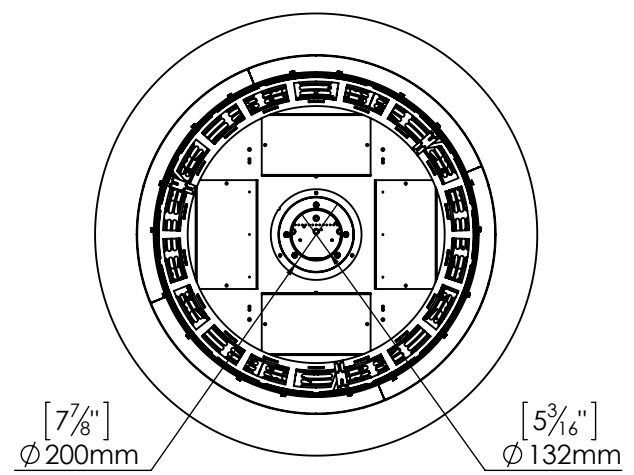
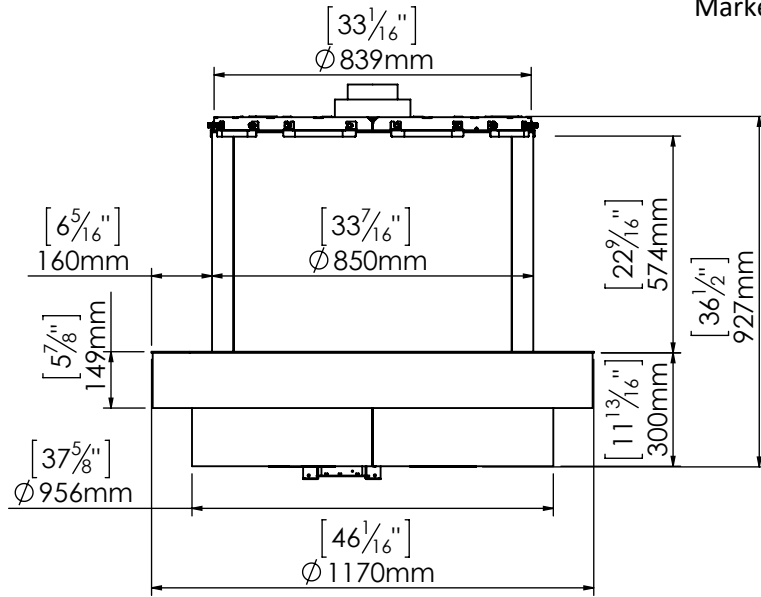


Stand Alone  
6575 Curve  
Tunnel

Double Glass  
Double Level  
Base



Please Note:

Order No.(fill in by Ortal): \_\_\_\_\_

Customer Signature: \_\_\_\_\_ Date: \_\_\_\_\_

Marketing Representative Signature: \_\_\_\_\_ Date: \_\_\_\_\_