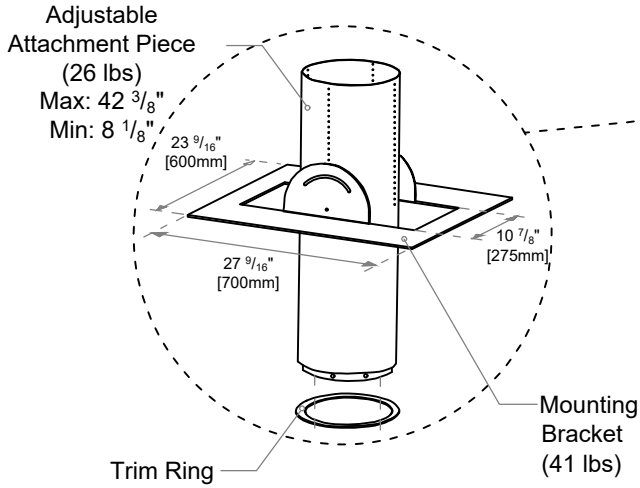




Stand Alone 75x65 Curve Tunnel with Decorative Hood

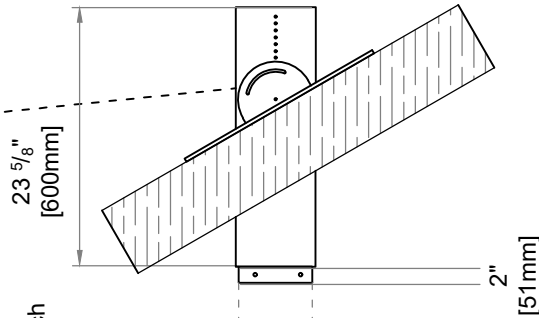
Hanging from a Sloped Ceiling

Hanging Bracket Set Components



Hanging Bracket Set

Total Weight: 67 lbs
 Supplied with hood

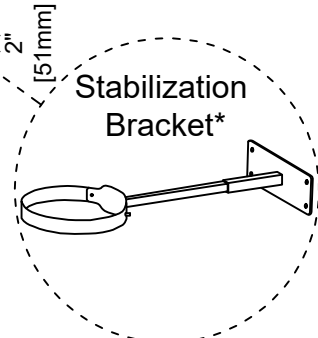


Hood Extension Length(s)

Optional: 1/2 meter (19 ¹¹/₁₆", 31 lbs) & 1 meter (39 ²/₅", 56 lbs) lengths available

The number of hood extension pieces depends on distance from floor to ceiling (H). If your ceiling height (H) is 9 feet or less, a hood extension piece is not necessary.

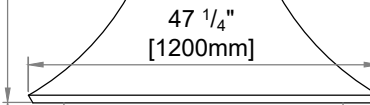
19 ¹¹/₁₆" each
 or
 39 ³/₈"



Stabilization Bracket*

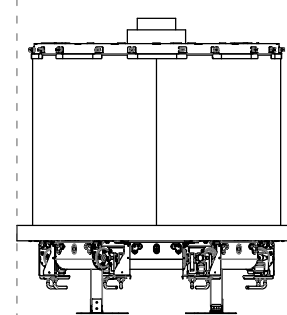
*CUSTOM OPTIONAL ITEM
 (recommended for ceiling height > 16 feet.)

59" [1500mm]

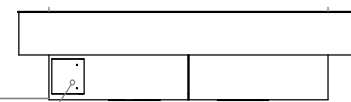
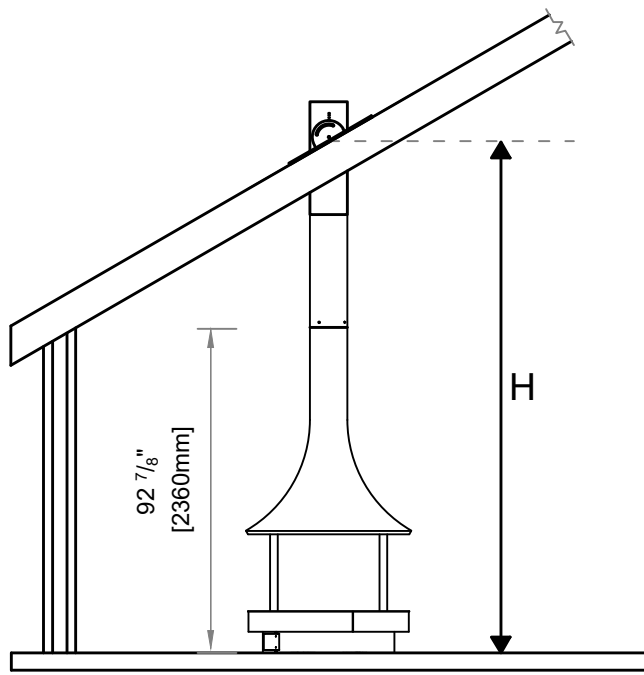


Decorative Hood
 Weight: 231 lbs

33 ⁷/₈" [860mm]



Stand Alone 75x65 Curve Tunnel Fireplace



Base

Access Panel
 Built into base

NOTE: Only the hood and extension pieces hang from the ceiling. The fireplace and base mount to the floor. The fireplace must not bear any weight.