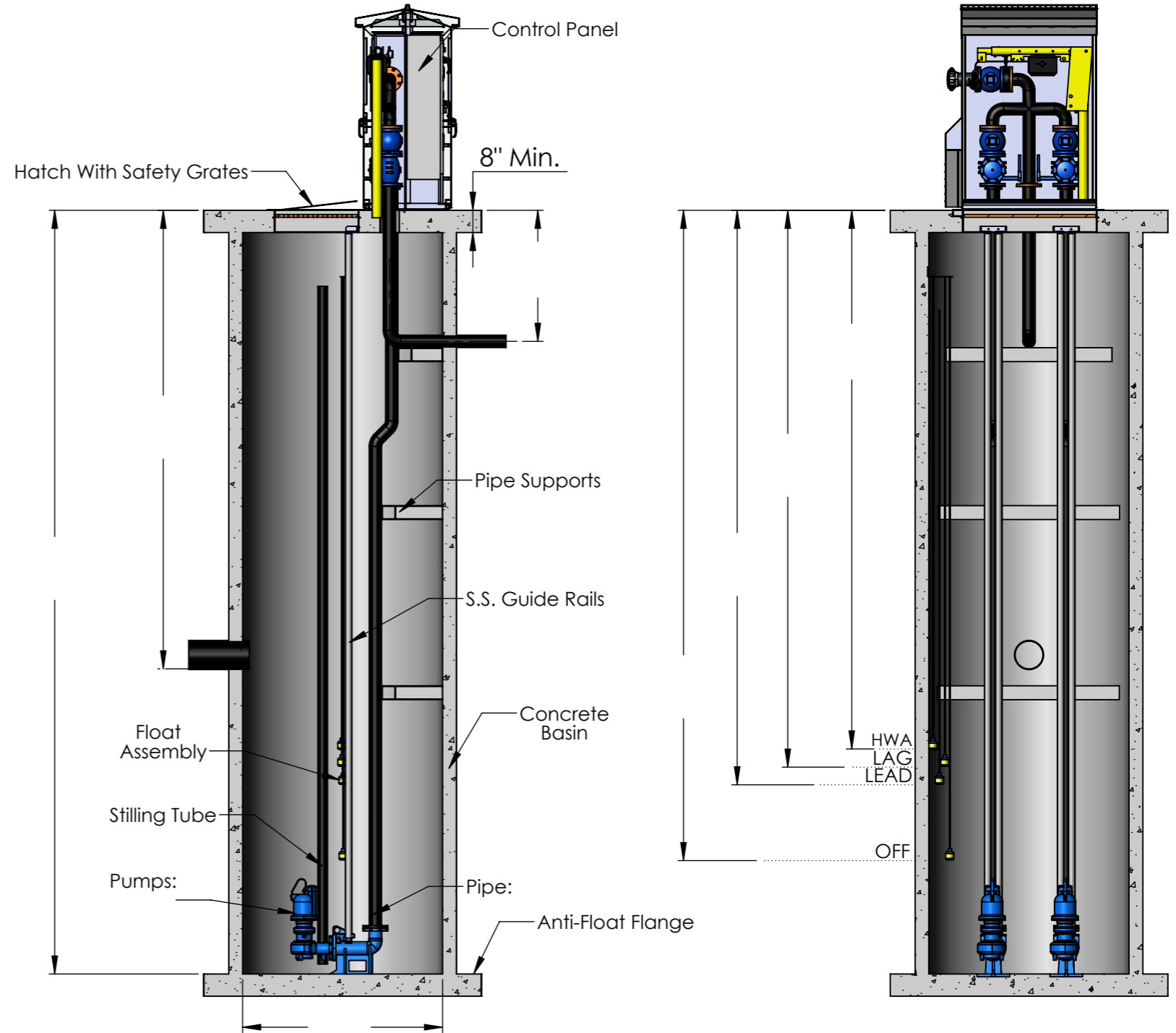
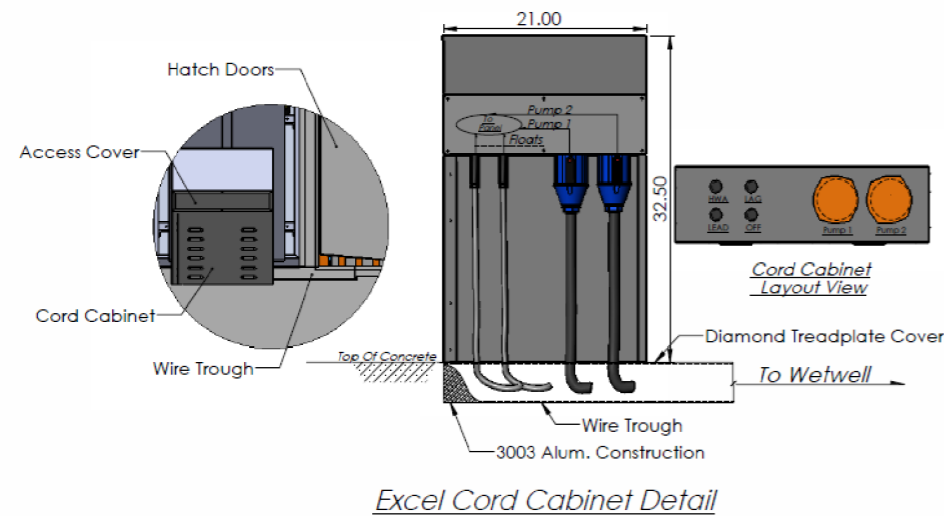
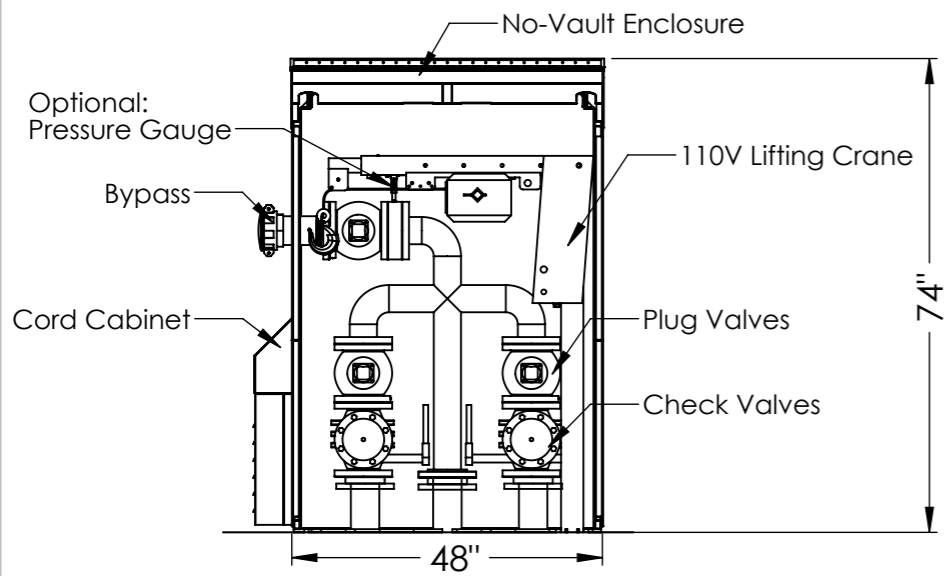
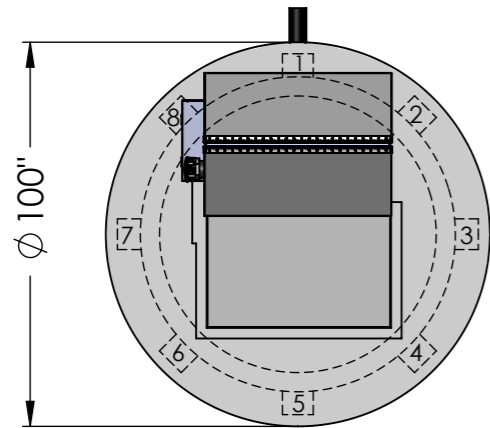


Basin Penetration Orientation		
Item	Size	Orientation #



UNLESS OTHERWISE SPECIFIED:
 DIMENSIONS ARE IN "INCHES"
 SURFACE FINISH:
 TOLERANCES:
 LINEAR:
 ANGULAR:

EXCEL
 FLUID GROUP
 15950 Commerce Park Dr.
 Brook Park, Ohio 44135

DEBUR AND
 BREAK SHARP
 EDGES.

DO NOT SCALE DRAWING

REVISION **A-1**

TITLE:
**Duplex Concrete
 Pump Station**

DWG NO.
EFG-DEP-061118

A3

WEIGHT: N/A

SHEET 1 OF 1