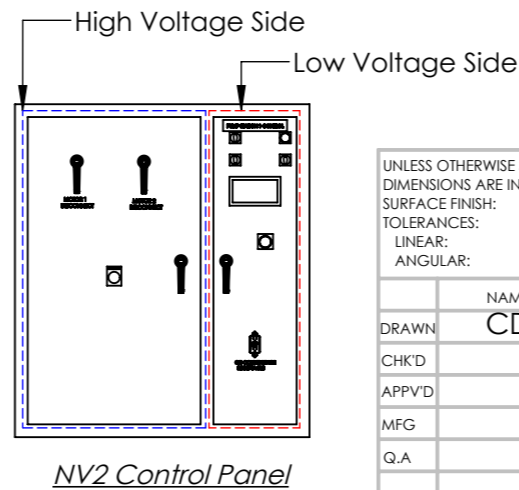
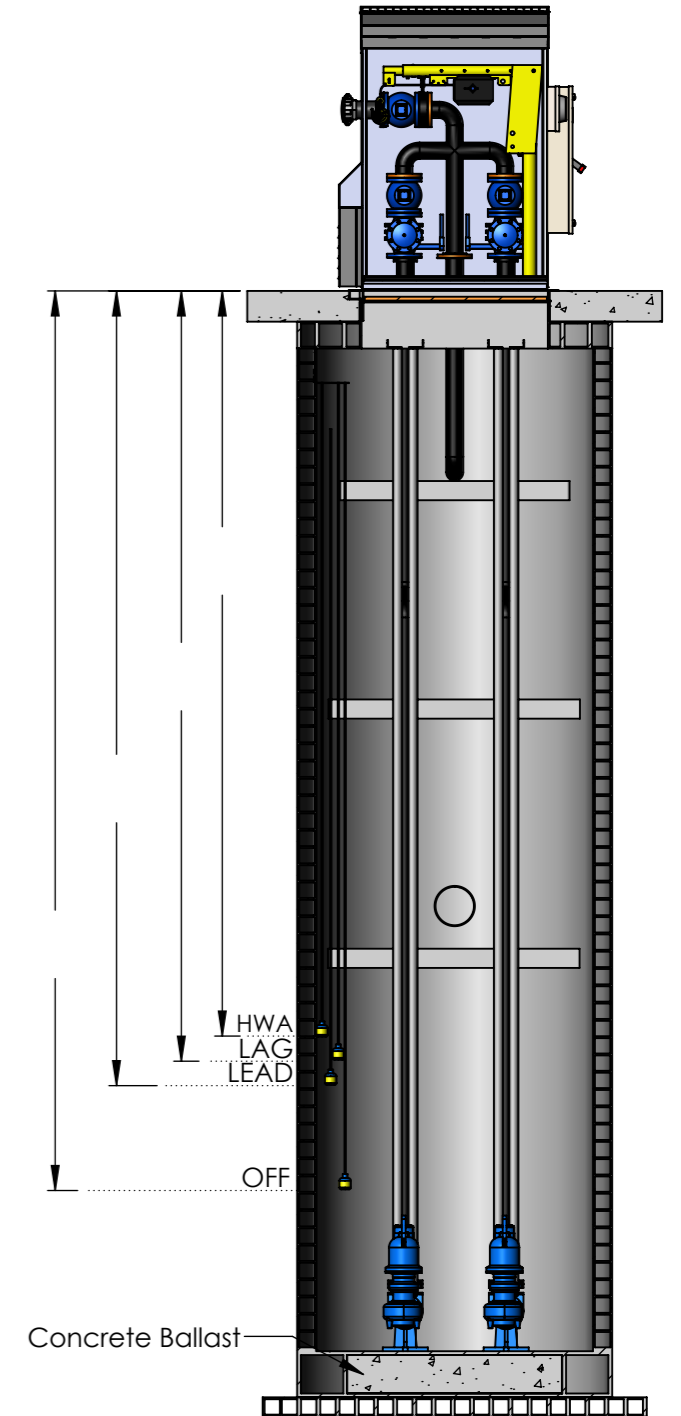
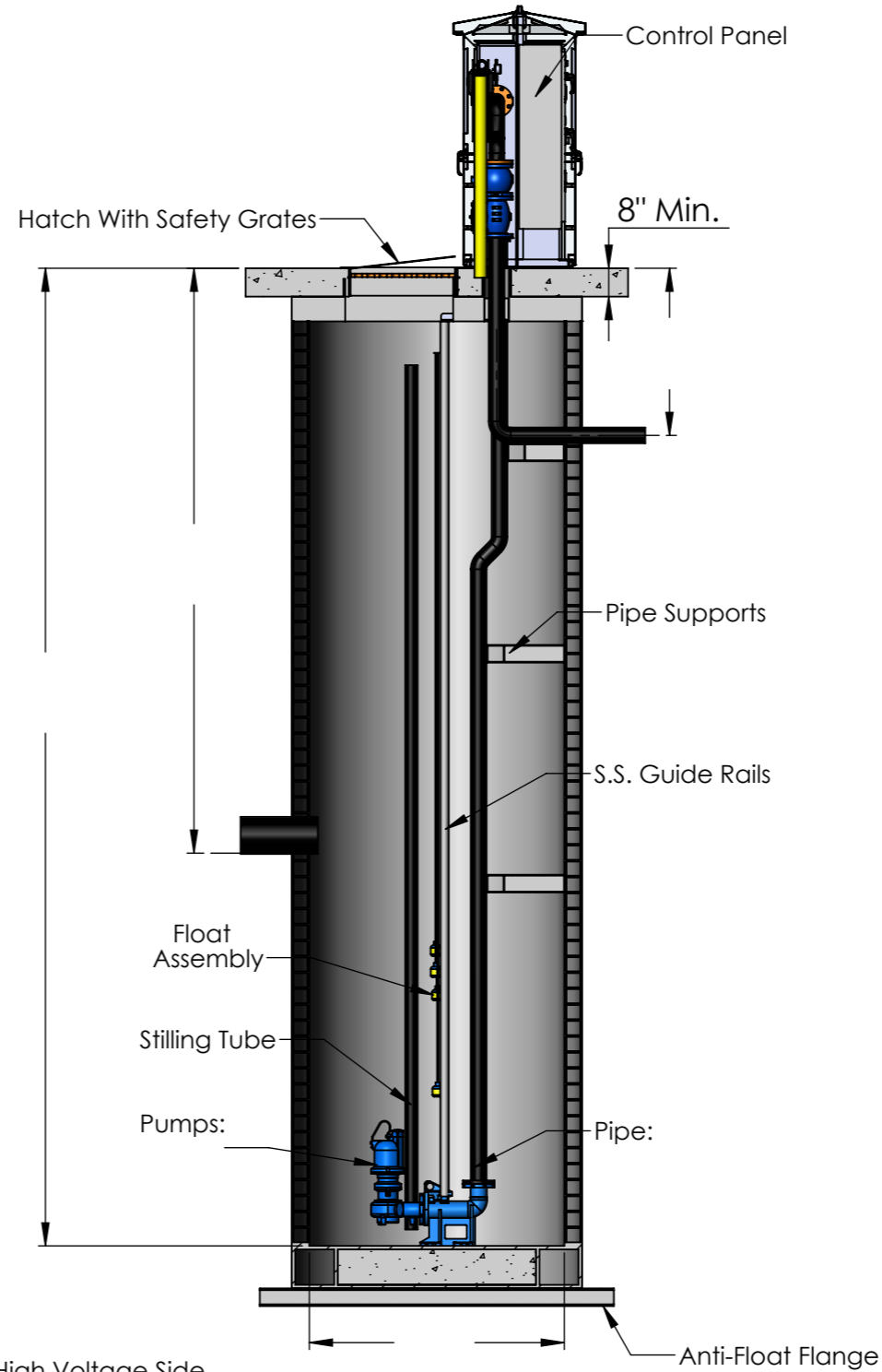
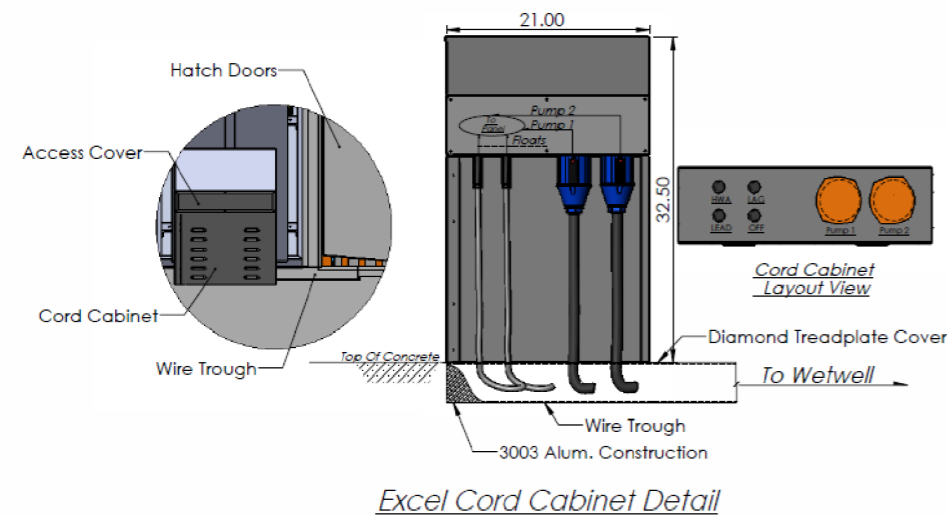
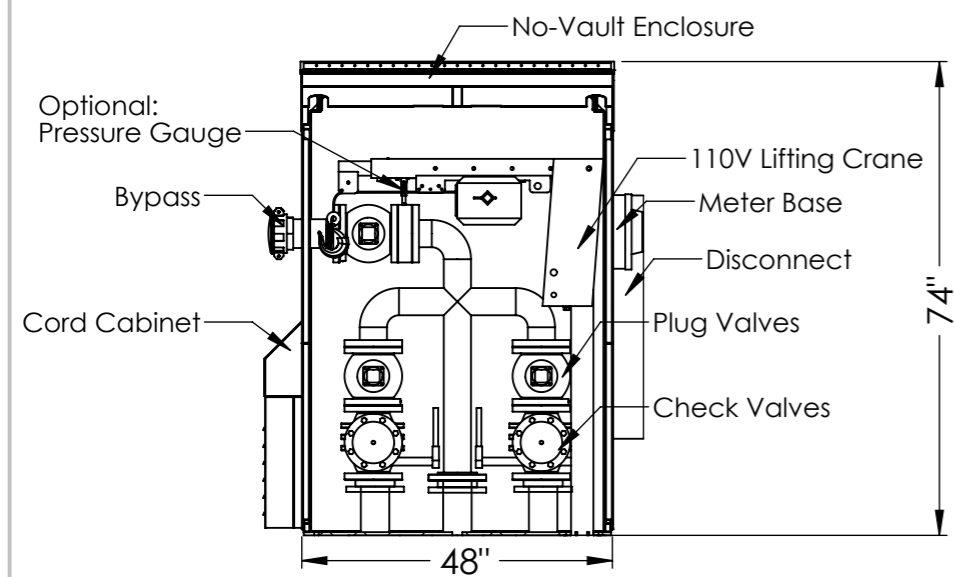
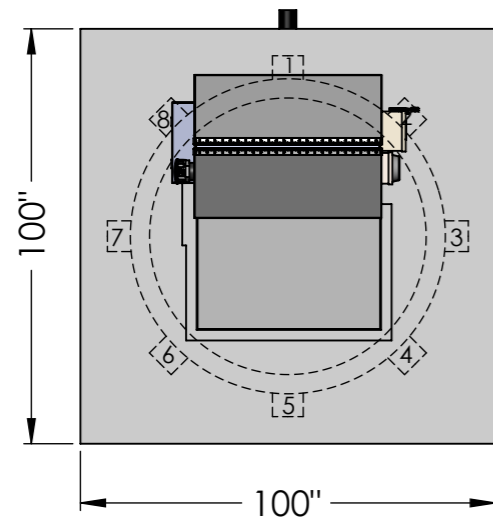


| Basin Penetration Orientation |      |               |
|-------------------------------|------|---------------|
| Item                          | Size | Orientation # |
|                               |      |               |
|                               |      |               |
|                               |      |               |



UNLESS OTHERWISE SPECIFIED:  
DIMENSIONS ARE IN "INCHES"  
SURFACE FINISH:  
TOLERANCES:  
LINEAR:  
ANGULAR:

**EXCEL**  
FLUID GROUP  
15950 Commerce Park Dr.  
Brook Park, Ohio 44135

DEBUR AND  
BREAK SHARP  
EDGES.

DO NOT SCALE DRAWING

REVISION **A-1**

Excel Fluid Group

TITLE:  
**Duplex HDPE  
Pump Station**

DWG NO. **EFG-DEP-061118**

A3

WEIGHT: N/A

SHEET 1 OF 1