

A close-up photograph of the Vyntus CPX canopy, a medical device used for indirect calorimetry. The device is primarily white with black accents and a black canopy. A black cable is connected to the top. A small label on the side of the device reads "CPX CANOPY". The background is a light blue gradient with abstract white lines.

vyaire™
MEDICAL

Vyntus® CPX
canopy – indirect calorimetry

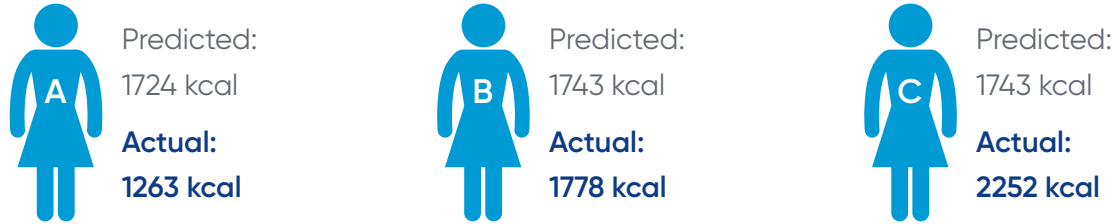
We are all different

Metabolism can be very different among individuals of the same height and weight.

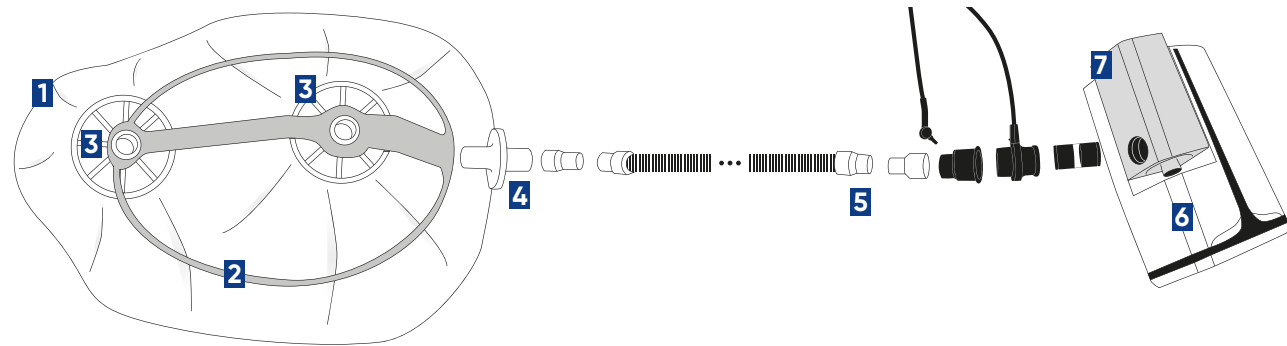
The American Dietetic Association recommends healthcare providers measure metabolism instead of using estimates to eliminate unnecessary risks for both – the healthcare provider and the patient.¹

Indirect calorimetry is considered the gold standard technology for Resting Energy Expenditure measurement in clinical nutrition.³

Subjects of same height and weight²



Sophisticated Technology meets Hygiene

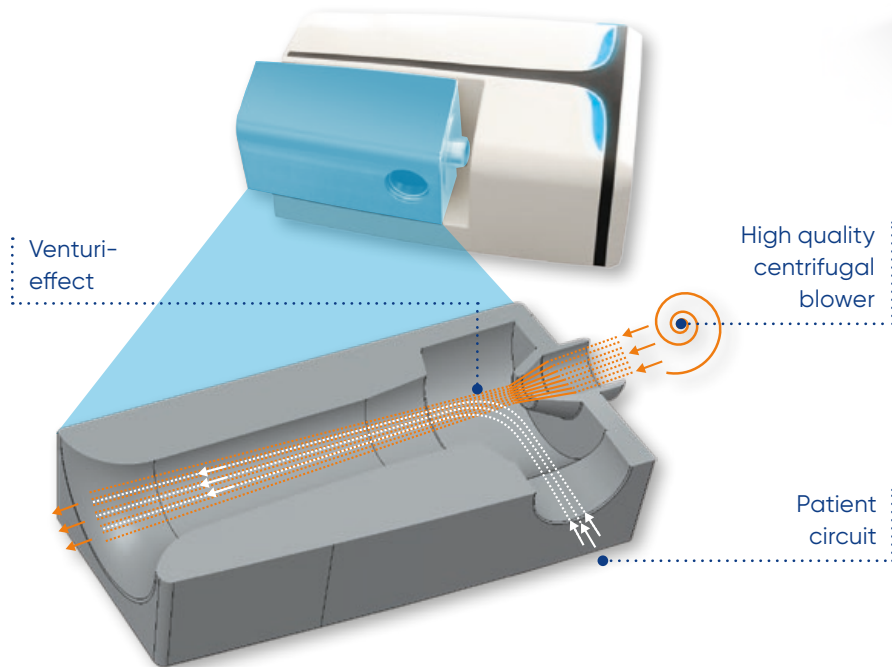


Older Generations	→	Vyntus [®] CPX Solution
Reusable hardcover canopy with foil – difficult to disinfect and appearance degrades over time	→	1 Low cost, single patient use foil – improves hygiene
	→	2 Stainless steel holder outside the foil – not contaminated
	→	3 Removable silicone plug-in rings – the only parts that have to be disinfected after each measurement
Application without filter	→	4 MicroGard [®] bacterial / viral filter to protect downstreamed parts
Contaminated adapter, tubes and volume sensors disinfected between each patient	→	5 Cleaning cycle for downstreamed parts can be reduced to three months using the MicroGard [®] filter. ⁴
Contaminated blower – not possible to clean and disinfect	→	6 Blower never in contact with patient's exhaled air
	→	7 Easy removable Jet-Valve for complete and optimal disinfection

Vyntus[®] CPX featured by SentrySuite[®] software

Features

- Resting Energy Expenditure (REE) and substrate partitioning. The main parameters are: EE (Resting Energy Expenditure), FAT, CHO, PRO, $V'O_2$, $V'CO_2$, RER, npRER, $FECO_2$, $V'O_2/kg$, $V'E$ and many more.
- Entry and correction of UN (Urinal Nitrogen).
- $FECO_2$ control with real-time notification for optimal flow selection.
- Automatic or manual dilution flow regulation mode for easy handling.
- Integrated gas analyzer zeroing during the measurement for optimal stability.
- Four selectable steady-state intervals plus average of all four (e.g., REE while patient sleeping vs REE while patient awake).
- Supports device verification by ethanol burn test.
- Excel[®] Export for research post-processing.



The Canopy Module – Accurate patented hygiene flow generation

Generates adjustable dilution flow, accommodating accurate testing for a broad range of individuals.




REFERENCES

- 1 ADA, Adult Weight Management Evidence-Based Nutrition Practice Guideline. 2007.
- 2 Foster, G.D., et al., Resting energy expenditure, body composition, and excess weight in the obese. *Metabolism*, 1988. 37(5): 467-472.
- 3 Haugen HA, et al., Indirect calorimetry: a practical guide for clinicians. *Nutr Clin Pract*. 2007 Aug, 22(4): 377-388.
- 4 based on the Bio Burden DIN EN ISO 11737-1: Report 18AA0088

GLOBAL HEADQUARTERS

Vyairē Medical, Inc.
26125 North Riverwoods Blvd
Mettawa, IL 60045
USA

 Vyairē Medical GmbH
Leibnizstrasse 7
97204 Hoechberg
Germany



[vyairē.com](https://www.vyairē.com)

Where applicable – country availability is dependent on the successful product registration with the National Authority of that country.

© 2019 Vyairē Medical, Inc. or one of its affiliates. All rights reserved. Vyairē, the Vyairē Medical logo, SentrySuite and Vyntus are trademarks or registered trademarks of Vyairē Medical, Inc. or one of its affiliates. Medical devices class IIa according to Medical Devices Directive 93/42/EEC. Please read the complete Instructions For Use that come with the devices or follow the instructions on the product labelling. VYR-INTL-1800001 (2.0).