



# STARTERPAQ ES-1HP-30/30

## RESIDENTIAL FIRE SPRINKLER PUMP SYSTEMS

### TAKE THE GUESSWORK OUT OF YOUR NFPA 13D FIRE SPRINKLER PUMP NEEDS

The StarterPaq-ES-1HP-30/30 is a packaged pump system including a self-priming, closed coupled, end suction pump and basic manifold system. This meets NFPA 13D requirements.



## PACKAGED PUMP SYSTEM

### PUMP PERFORMANCE

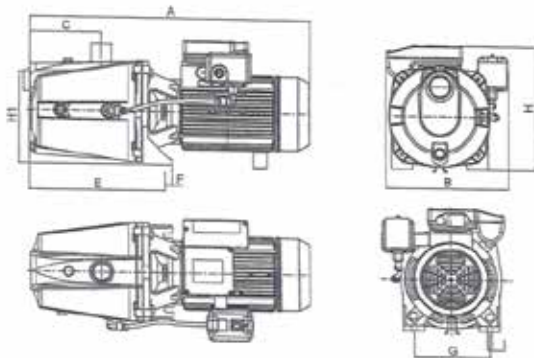
- 0 GPM @ 35 PSI
- 10 GPM @ 34 PSI
- 20 GPM @ 33 PSI
- 25 GPM @ 32 PSI
- 30 GPM @ 31 PSI
- 40 GPM @ 27 PSI

### MOTOR INFORMATION

- 1 HP
- Single Phase (1PH)
- FLA 5.06A
- SF: 1.15
- INS. Class F
- Motor is not thermally protected

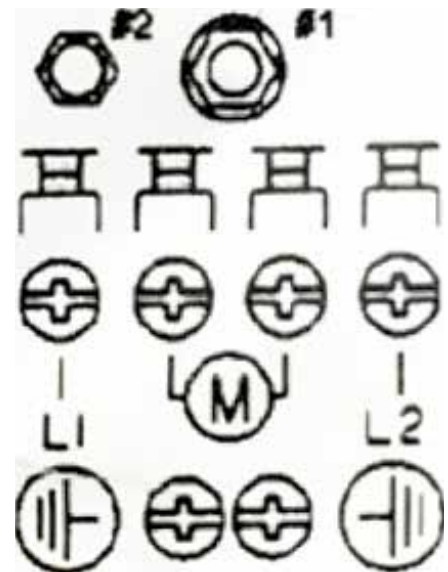
### DIMENSIONS

- A = 15"
- B = 7"
- H = 8"
- G = 3"
- Suction = 1"
- Discharge = 1"



## STARTERPAQ PERFORMANCE

### Wiring Diagram



Contact Darley to order  
1.800.4.DARLEY • 505.228.8934  
www.starterpaq.com • f t

EASY ORDERING • EASY INSTALLATION • PREASSEMBLED

Watch the StarterPaq quick install video at  
www.starterpaq.com

