

# STARTERPAQ PUMP PERFORMANCE

## RESIDENTIAL FIRE SPRINKLER PUMP SYSTEMS

We offer a variety of systems to accommodate a wide range of performance needs.

### ES-1HP\_30/30



#### PUMP PERFORMANCE

- 0 GPM @ 35 PSI
- 10 GPM @ 34 PSI
- 20 GPM @ 33 PSI
- 25 GPM @ 32 PSI
- 30 GPM @ 31 PSI
- 40 GPM @ 27 PSI

### ES-2HP



#### PUMP PERFORMANCE

- 0 GPM @ 90 PSI
- 10 GPM @ 81 PSI
- 12 GPM @ 79 PSI
- 20 GPM @ 69 PSI
- 24 GPM @ 62 PSI
- 26 GPM @ 58 PSI
- 30 GPM @ 53 PSI
- 32 GPM @ 51 PSI
- Max flow @ 34 GPM

### ES-3HP



#### PUMP PERFORMANCE

- 0 GPM @ 72 PSI
- 10 GPM @ 65 PSI
- 20 GPM @ 58 PSI
- 25 GPM @ 55 PSI
- 30 GPM @ 51 PSI
- 35 GPM @ 47 PSI
- 40 GPM @ 45 PSI
- 45 GPM @ 40 PSI
- 50 GPM @ 25 PSI
- Max flow @ 54 GPM

### 3HP-50/50 PERFORMANCE



#### PUMP PERFORMANCE

- 0 GPM @ 55 PSI
- 40 GPM @ 52 PSI
- 50 GPM @ 50 PSI
- 70 GPM @ 43 PSI
- 80 GPM @ 34 PSI



# STARTERPAQ ES-1HP-30/30

## RESIDENTIAL FIRE SPRINKLER PUMP SYSTEMS

### TAKE THE GUESSWORK OUT OF YOUR NFPA 13D FIRE SPRINKLER PUMP NEEDS

The StarterPaq-ES-1HP-30/30 is a packaged pump system including a self-priming, closed coupled, end suction pump and basic manifold system. This meets NFPA 13D requirements.



## PACKAGED PUMP SYSTEM

### PUMP PERFORMANCE

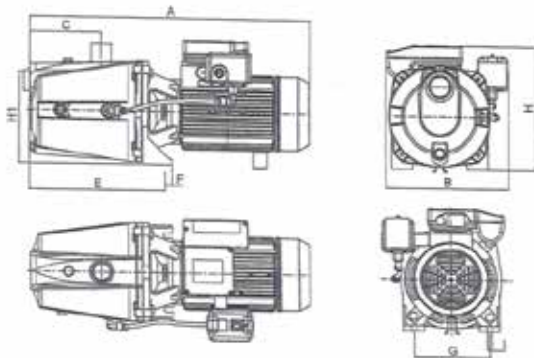
- 0 GPM @ 35 PSI
- 10 GPM @ 34 PSI
- 20 GPM @ 33 PSI
- 25 GPM @ 32 PSI
- 30 GPM @ 31 PSI
- 40 GPM @ 27 PSI

### MOTOR INFORMATION

- 1 HP
- Single Phase (1PH)
- FLA 5.06A
- SF: 1.15
- INS. Class F
- Motor is not thermally protected

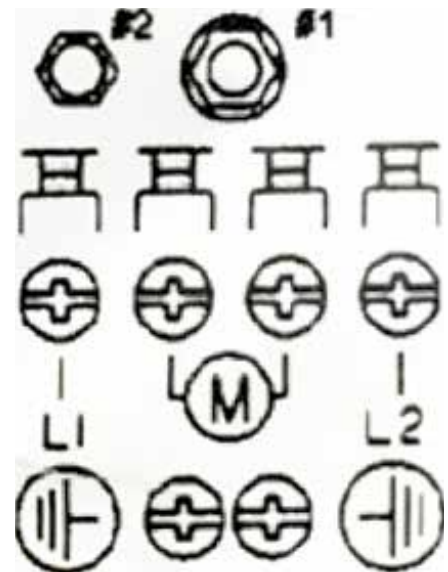
### DIMENSIONS

- A = 15"
- B = 7"
- H = 8"
- G = 3"
- Suction = 1"
- Discharge = 1"



## STARTERPAQ PERFORMANCE

### Wiring Diagram



Contact Darley to order  
1.800.4.DARLEY • 505.228.8934  
www.starterpaq.com • f t

EASY ORDERING • EASY INSTALLATION • PREASSEMBLED

Watch the StarterPaq quick install video at  
www.starterpaq.com





# STARTERPAQ ES-2HP

## RESIDENTIAL FIRE SPRINKLER PUMP SYSTEMS

The 2 HP Just Add Water System (J.A.W.S.) is a packaged pump system including a self-priming, closed coupled, end suction pump and basic manifold system. This meets NFPA 13D requirements.



## PACKAGED PUMP SYSTEM

### FLEXIBLE PUMP THAT MEETS A WIDE RANGE OF PSI AND GPM REQUIREMENTS

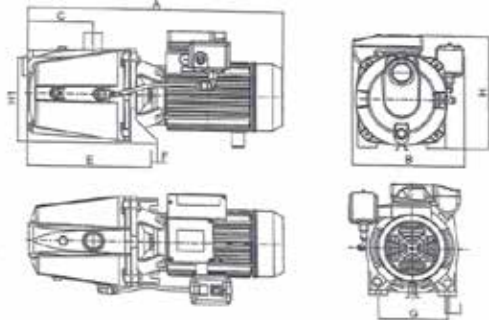
- 0 GPM @ 90 PSI
- 10 GPM @ 81 PSI
- 12 GPM @ 79 PSI
- 20 GPM @ 69 PSI
- 24 GPM @ 62 PSI
- 26 GPM @ 58 PSI
- 30 GPM @ 53 PSI
- 32 GPM @ 51 PSI
- Max flow @ 34 GPM

### MOTOR INFORMATION

- SF: 1.15
- 2 HP
- 1 phase
- FLA 11A
- INS. Class F
- Motor is thermally protected

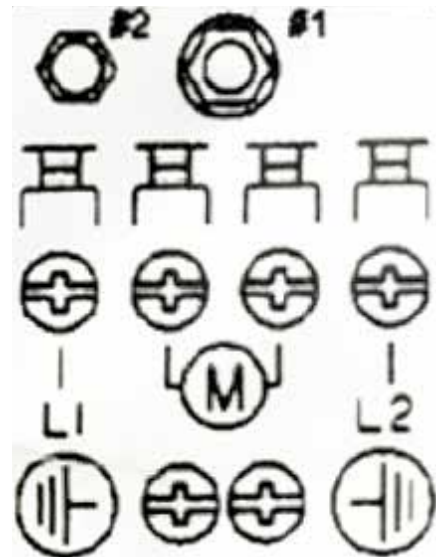
### DIMENSIONS

- A: 21.9"
- B: 10.2"
- E: 13.5"
- H: 10"
- G: 5.7"
- Suction: 1.25"
- Discharge: 1.25"



## STARTERPAQ PERFORMANCE

### Wiring Diagram



Contact Darley to order  
1.800.4.DARLEY • 505.228.8934  
www.starterpaq.com •

EASY ORDERING • EASY  
INSTALLATION • PREASSEMBLED





# STARTERPAQ ES-3HP

## RESIDENTIAL FIRE SPRINKLER PUMP SYSTEMS

The 3 HP Just Add Water System (J.A.W.S.) is a packaged pump system including a self-priming, closed coupled, end suction pump and basic manifold system. This meets NFPA 13D requirements.



### PACKAGED PUMP SYSTEM

#### FLEXIBLE PUMP THAT MEETS A WIDE RANGE OF PSI AND GPM REQUIREMENTS

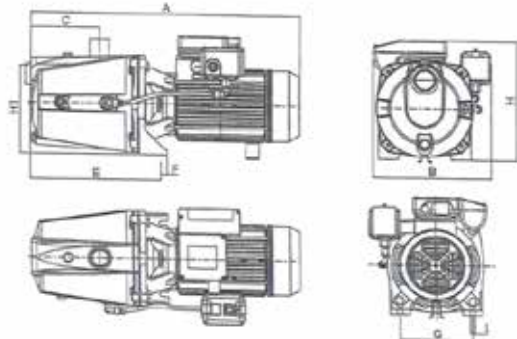
- 0 GPM @ 72 PSI
- 10 GPM @ 65 PSI
- 20 GPM @ 58 PSI
- 25 GPM @ 55 PSI
- 30 GPM @ 51 PSI
- 35 GPM @ 47 PSI
- 40 GPM @ 45 PSI
- 45 GPM @ 40 PSI
- 50 GPM @ 25 PSI
- Max flow @ 54 GPM

#### MOTOR INFORMATION

- SF: 1.15
- 3 HP
- 1 phase
- FLA 12A
- INS. Class F
- Motor is thermally protected

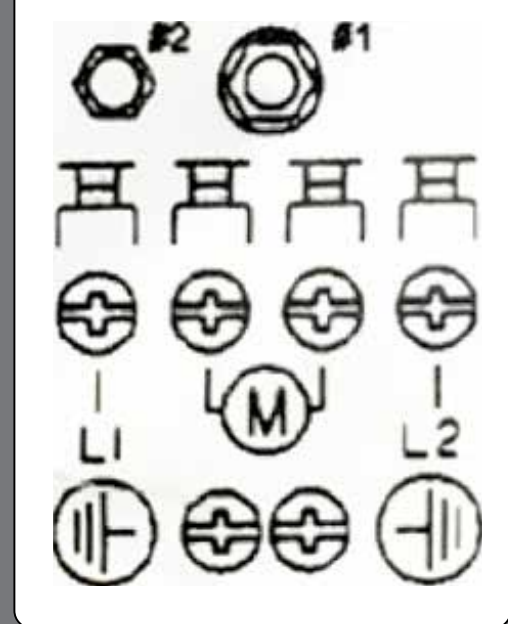
#### DIMENSIONS

- A: 20.5"
- B: 10"
- E: 11.3"
- H: 12"
- G: 6.5"
- Suction: 1.5"
- Discharge: 1.25"



### STARTERPAQ PERFORMANCE

#### Wiring Diagram



Contact Darley to order  
1.800.4.DARLEY • 505.228.8934  
www.starterpaq.com •

EASY ORDERING • EASY  
INSTALLATION • PREASSEMBLED



The high pressure 3 HP Just Add Water System (J.A.W.S.) is a packaged pump system including a self-priming, closed coupled, end suction pump and basic manifold system. This meets NFPA 13D requirements.



## PACKAGED PUMP SYSTEM

### FLEXIBLE PUMP THAT MEETS A WIDE RANGE OF PSI AND GPM REQUIREMENTS

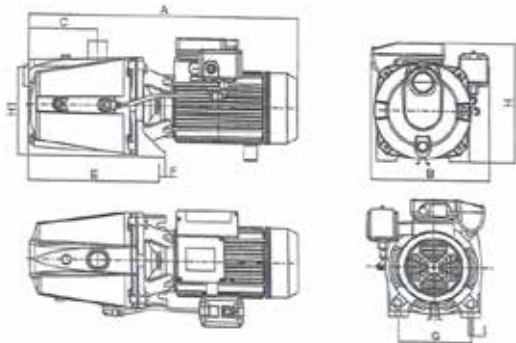
- 0 GPM @ 55 PSI
- 40 GPM @ 52 PSI
- 50 GPM @ 50 PSI
- 70 GPM @ 43 PSI
- 80 GPM @ 34 PSI

### MOTOR INFORMATION

- SF: 1.15
- 3 HP
- Motor Code: G
- FLA 11.7 amps Max SFA 13.3
- INS. Class F
- Motor is thermally protected

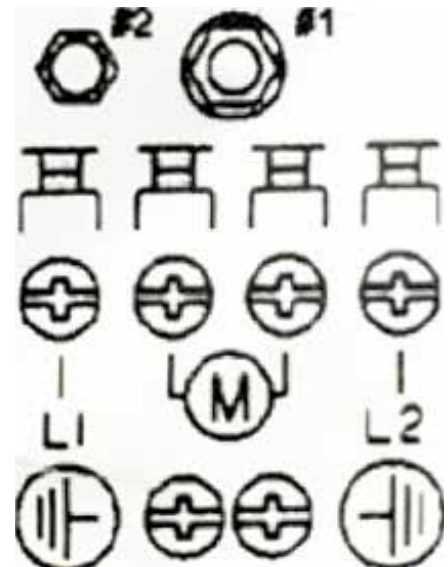
### DIMENSIONS

- A: 20.5"
- B: 10"
- H: 12"
- G: 6.5"
- Suction: 1.5"
- Discharge: 1.5"



## STARTERPAQ PERFORMANCE

### Wiring Diagram



Contact Darley to order  
 1.800.4.DARLEY • 505.228.8934  
[www.starterpaq.com](http://www.starterpaq.com) •

EASY ORDERING • EASY  
 INSTALLATION • PREASSEMBLED

