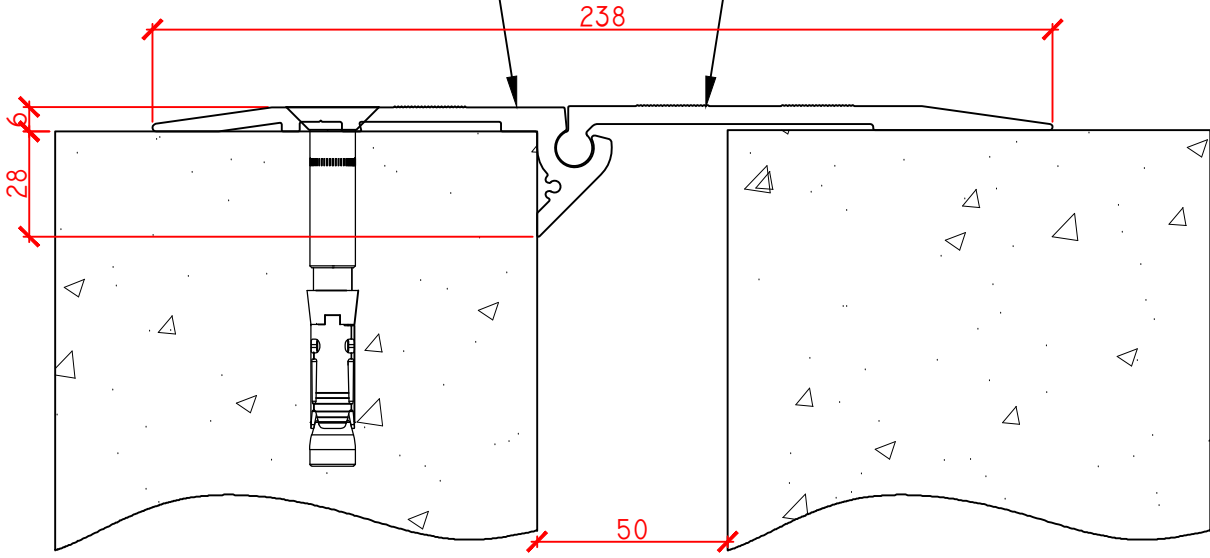


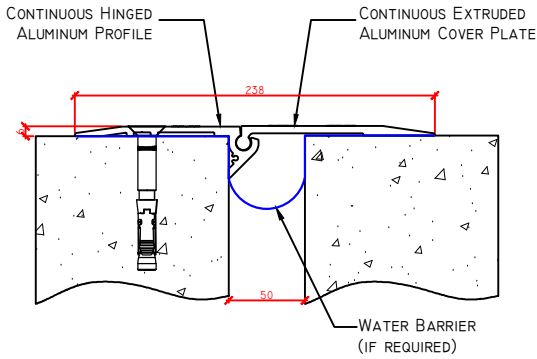
OPTION 1: CF-H

CONTINUOUS HINGED ALUMINUM PROFILE

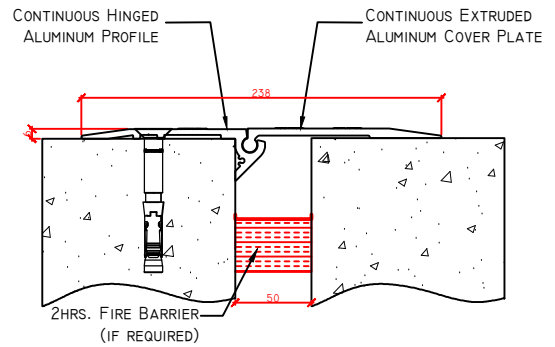
CONTINUOUS EXTRUDED ALUMINUM COVER PLATE



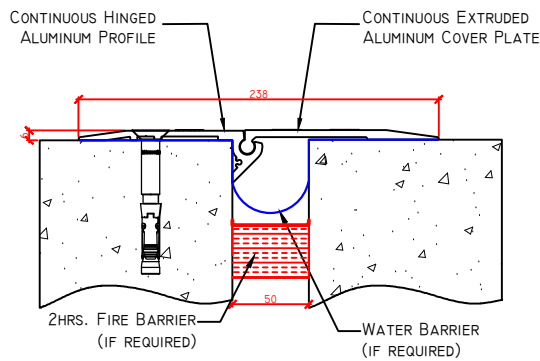
OPTION 2: CF-H + WATER BARRIER



OPTION 3: CF-H + FIRE BARRIER



OPTION 4: CF-H + WATER BARRIER + FIRE BARRIER



SKU	NAME	JOINT WIDTH, JW(MM)	HEIGHT, H(MM)	SIGHTLINE, S(MM)	MOVEMENT CAPACITY %	LOAD CAPACITY (KN)
CF506238H	CF-238H	50	6	238	±50	30



PRODUCT TYPE: EXPANSION JOINT COVER

APPLICATION: FLOOR TO FLOOR CONDITION

APPROVED BY CLIENT: