



# INSTALLATION INSTRUCTION



GENOTEK

## CF-H AND CFK-H FLOOR EXPANSION JOINT COVER



The following installation instructions are very important. Read them carefully, and be sure you understand them completely before you begin any work.

**Note:** Verify that the structural gap is in conformance with submittal data before beginning installation. If this is a Fire Rated Assembly, the fire barrier must be installed before the Architectural Joint System. Refer to the fire barrier instructions for specific system installation.

### INSTALLATION

1. Install the architectural joint system on a level finished floor. This may require adding leveling compound on top of the substrate to provide a smooth mounting surface.
2. Cut the aluminum plates to the desired length. Slide the Hinged Safety Cover plate into the slip-resistant anchor Frame. (*Note: The pieces should slide together, however, applying a lubricant such as soapy water, light grease will help to ease the assembly.*)

*Slip-resistant Anchor  
Frame (High Side)*

*Heavy Duty Aluminum  
Hinged Safety Cover  
(Slip-Resistant Surface)*

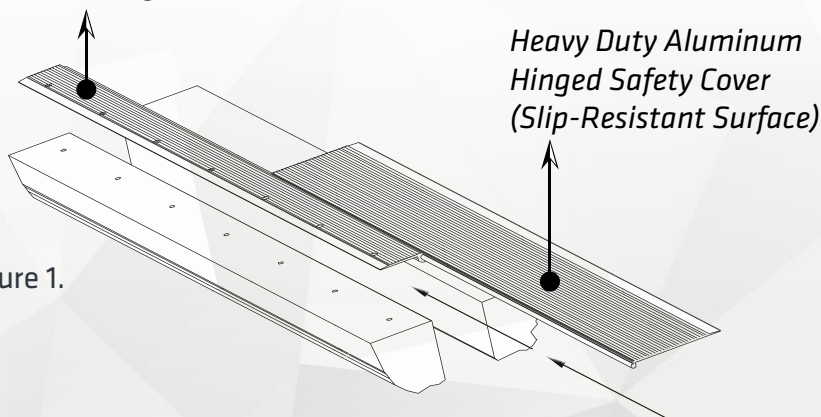


Figure 1.



## CF-H AND CFK-H FLOOR EXPANSION JOINT COVER

- Place the plate assembly over the structural gap.  
For floor to floor (CF-H) condition, seat the Frame and Cover on the floor surface. Place the Frame tight to the joint face. See Figure 2.  
For floor to wall (CFK-H) condition, short leg (predrilled hole side) should be placed firmly against the finished wall. Align level with the finished floor. See Figure 3.

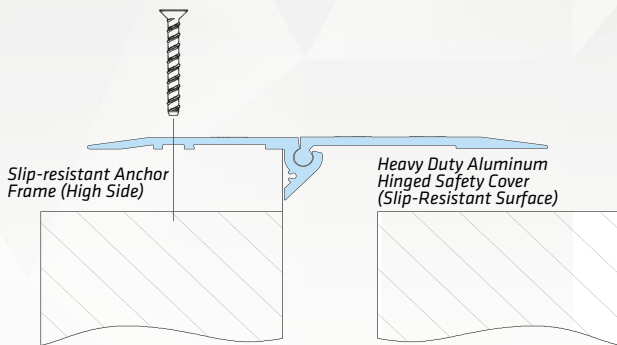


Figure 2.

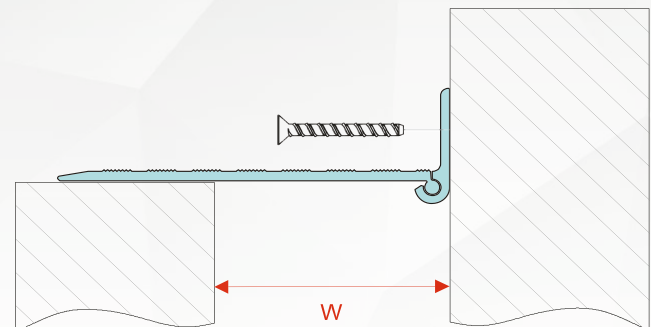


Figure 3.

- Mark the pre-drilled hole locations on the substrate.
- Remove the plate assembly.
- Drill all marked holes on the substrate
- Return the plates into position over the drilled hole locations and secure in place with one flat head screw for each anchor.
- Clean the exposed surfaces with a non-solvent cleaner

*Note : Use epoxy anchor systems for each anchors for heavy duty applications*

