



CW & CWK SERIES SCREW FIXING COVER PLATE FOR WALL & CEILING APPLICATION



PRODUCT DESCRIPTION

The CW Series Expansion Joint Cover is an ideal Cover for Wall to Wall and Ceiling to Ceiling Applications.

The Series is suitable for Areas where a Simple Cover Profile is required.

The components of the CW cover are:

- Extruded Aluminium Cover Plate.

The CW Series is a Full Aluminium Expansion Joint Cover Profile in Anodized Finish.

This Profile is a very Economical Solution to cover Expansion Joint Gaps and can be used for both renovation and new construction.

This Single Plate Profile is designed to be anchored to only one slab while allowing seamless movement over the adjacent slab.

The Free-Floating Cover Plate spans across the Gap and slides over the surface of the Wall or Ceiling to allow Movement when required.

The Profile can also be Powder Coated in the required color to match the Adjacent Wall or Ceiling Finishes

RECOMMENDED FOR

- Interior Wall & Ceiling Areas.
- Areas where Low Maintenance Profile is required.

TECHNICAL DATA

Cover Plate

The Aluminium profiles are extruded using one of the multiple Aluminium alloys and tempers.

The selection of the Aluminium grade depends on the use case of the profile.

Aluminium grade AA 6063 is the preferred choice for most profiles.

Optional: Vapour Barrier

Material	Ethylene Propylene Diene Monomer.
Color	Black.
Tensile Strength	1431 psi - ASTM D 412.
Tear Resistance (lbf/in.)	204 - ASTM D 624.
Puncture Resistance (lbf)	60 at 4.49" - ASTM E 154.



CW & CWK SERIES SCREW FIXING COVER PLATE FOR WALL & CEILING APPLICATION

STORAGE & HANDLING

ALUMINIUM

- **Transportation**

Aluminium can be damaged during transport and constitutes in the form of scratches and wear marks that can lead to subsequent interfacial corrosion. Such damage prevents satisfactory surface treatment of the profiles.

The appearance of Aluminium is affected by minor transportation damages to the surface of the material but mechanical properties of the metal, however, remain unaffected.

To prevent such damage to the material, it is important for the Aluminium profiles to be packaged in strong paper, plastic or bubble wrap during any moving and transportation to prevent individual profile surfaces from bumping against each other thus causing scratches.

- **Storage**

It is important to note that Aluminium gets easily affected by water and moisture.

Aluminium alloys with higher magnesium content are sensitive to water and condensation, whereas purer alloys have greater resistance to the same.

Moisture damage to Aluminium appears as white patches/ spots or dark discolouration marks and can be observed in the event if water or condensation is trapped between Aluminium profile stacked upon or lying very close to each other.

SUBSTRATE REQUIREMENT & PREPARATION

- The surface must have enough clearance from the reinforcement to provide enough space for the anchor.
- The surface must be level with a Maximum Tolerance of +/- 2 mm to provide the best Aesthetic Finish.
- The Gap must be level with a Maximum Tolerance of +/- 5 mm. The largest gap dimension in the length should correlate with the gap size of the Expansion Joint cover ordered.

INSTALLATION

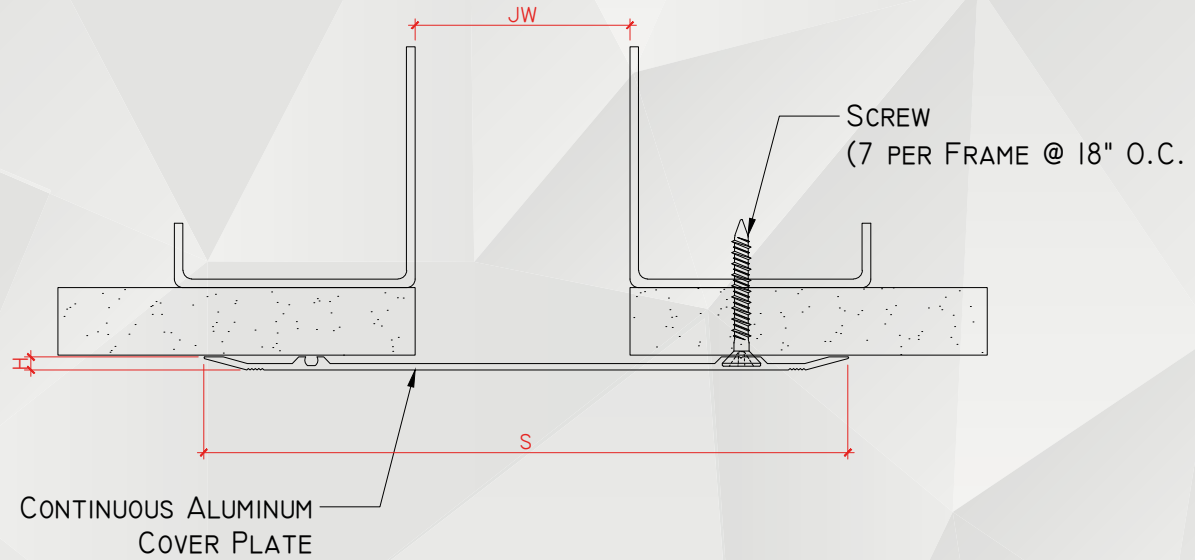
Kindly refer to the detailed GENOTEK installation instructions or contact your nearest GENOTEK Technical Centre for the same.

PACKAGING

- Aluminium / Stainless Steel Cover Plate: Standard Supply Length of 3.00 LM per piece.
- Moisture Barrier: Variable Length as per requirement.
- Accessories: Original Manufacturer Packing.



CW & CWK SERIES SCREW FIXING COVER PLATE FOR WALL & CEILING APPLICATION



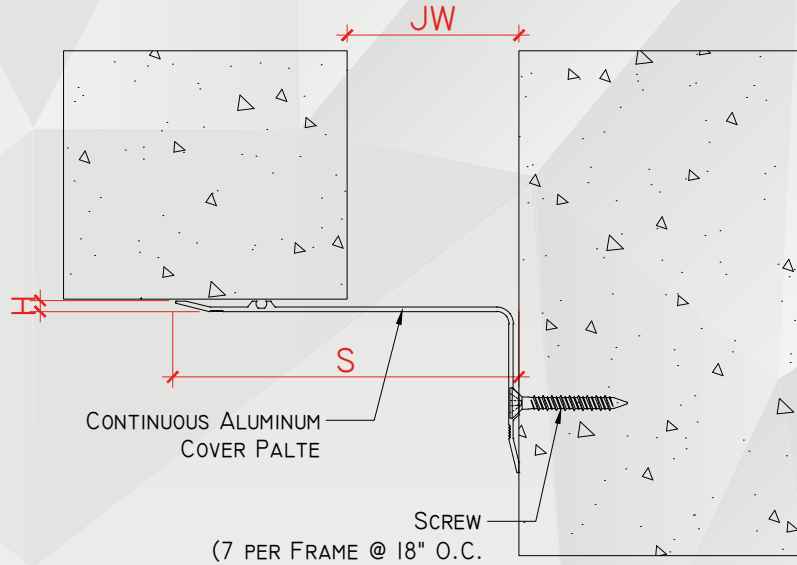
<input checked="" type="checkbox"/>	SKU	NAME	JOINT WIDTH, JW (MM)	HEIGHT, H (MM)	SIGHTLINE, S (MM)	MOVEMENT CAPACITY (%)
<input type="checkbox"/>	CW503120	CW-120	50	3	120	(+60/-100)
<input type="checkbox"/>	CW503150	CW-150	50	3	150	(+100/-100)
<input type="checkbox"/>	CW753175	CW-175	75	3	175	(+67/-100)
<input type="checkbox"/>	CWI004200	CW-200	100	4	200	(+50/-100)
<input type="checkbox"/>	CWI504250	CW-250	150	4	250	(+30/-100)
<input type="checkbox"/>	CW2008300	CW-300	200	8	300	(+25/-50)
<input type="checkbox"/>	CW2508370	CW-370	250	8	370	(+25/-50)
<input type="checkbox"/>	CW3504625	CW-625	350	4	625	(+35/-50)
<input type="checkbox"/>	CW70051000	CW-1000	700	5	1000	±20

NOTE: 1. THE ABOVE DRAWINGS ARE FOR ILLUSTRATION ONLY, PLEASE SEE THE SYSTEM DRAWING OF THE PROFILE FOR THE SECTION DETAILS AS SPECIFICATION MAY VARY.

2. THE ABOVE SIZES ARE FOR REFERENCE, ADDITIONAL SIZES MAY BE AVAILABLE AND / OR CUSTOMIZED. KINDLY CONTACT GENOTEK TECHNICAL SUPPORT FOR MORE INFORMATION.



CW & CWK SERIES SCREW FIXING COVER PLATE FOR WALL & CEILING APPLICATION



<input checked="" type="checkbox"/>	SKU	NAME	JOINT WIDTH, JW (MM)	HEIGHT, H (MM)	SIGHTLINE, S (MM)	MOVEMENT CAPACITY (%)
<input type="checkbox"/>	CWK50350X80	CWK-50X80	50	3	80	(+60/-100)
<input type="checkbox"/>	CWK50350X100	CWK-50X100	50	3	100	(+100/-100)
<input type="checkbox"/>	CWK75350X125	CWK-50X125	75	3	125	(+67/-100)
<input type="checkbox"/>	CWK100440X150	CWK-50X150	100	4	150	(+50/-100)
<input type="checkbox"/>	CWK150450X200	CWK-50X200	150	4	200	(+30/-100)
<input type="checkbox"/>	CWK200850X250	CWK-50X250	200	8	250	(+25/-50)
<input type="checkbox"/>	CWK250850X310	CWK-50X310	250	8	310	(+25/-50)
<input type="checkbox"/>	CWK350450X488	CWK-50X488	350	4	488	(+35/-50)
<input type="checkbox"/>	CWK700550X850	CWK-50X850	700	5	850	±20

NOTE: 1. THE ABOVE DRAWINGS ARE FOR ILLUSTRATION ONLY, PLEASE SEE THE SYSTEM DRAWING OF THE PROFILE FOR THE SECTION DETAILS AS SPECIFICATION MAY VARY.

2. THE ABOVE SIZES ARE FOR REFERENCE, ADDITIONAL SIZES MAY BE AVAILABLE AND / OR CUSTOMIZED. KINDLY CONTACT GENOTEK TECHNICAL SUPPORT FOR MORE INFORMATION.