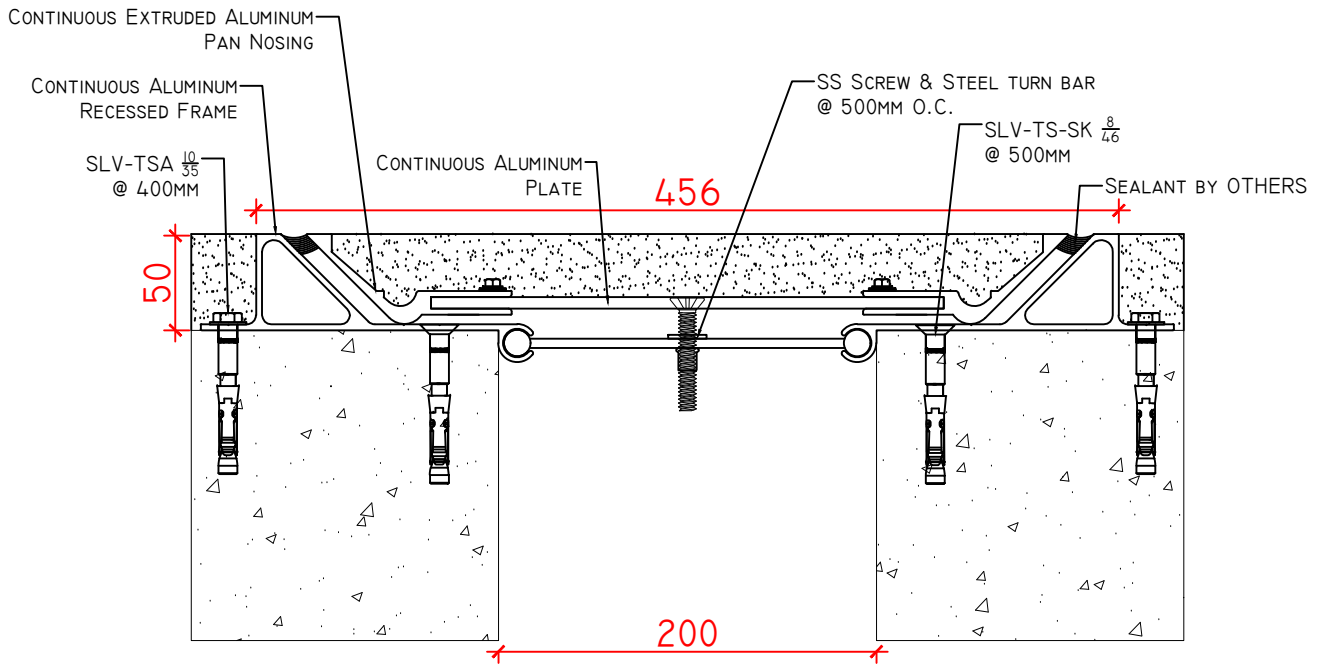
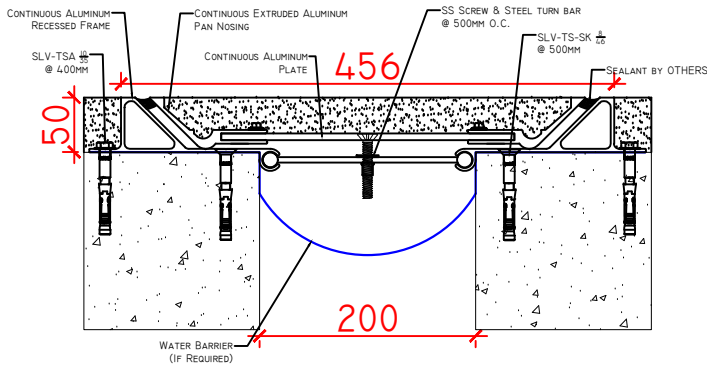


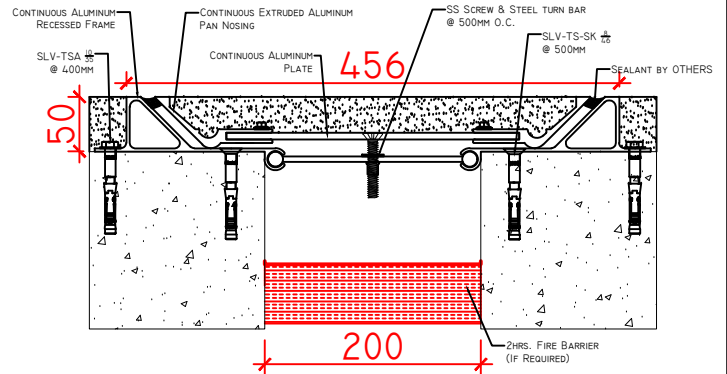
OPTION 1: Z-5000



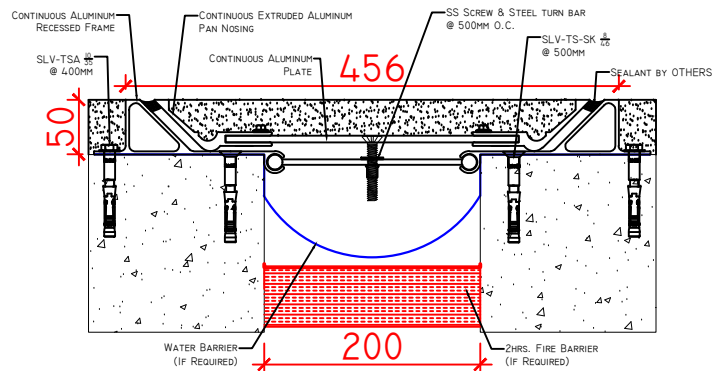
OPTION 2: Z-5000 + WATER BARRIER



OPTION 3: Z-5000 + FIRE BARRIER



OPTION 4: Z-5000 + WATER BARRIER + FIRE BARRIER



SKU	NAME	JOINT WIDTH, JW(MM)	HEIGHT, H(MM)	SIGHTLINE, S(MM)	MOVEMENT CAPACITY %	LOAD CAPACITY (KN)
Z500020050456	Z-5000-200	170-210	50	456	±50	10



PRODUCT TYPE: EXPANSION JOINT COVER
 APPLICATION: FLOOR TO FLOOR CONDITION
 APPROVED BY CLIENT: