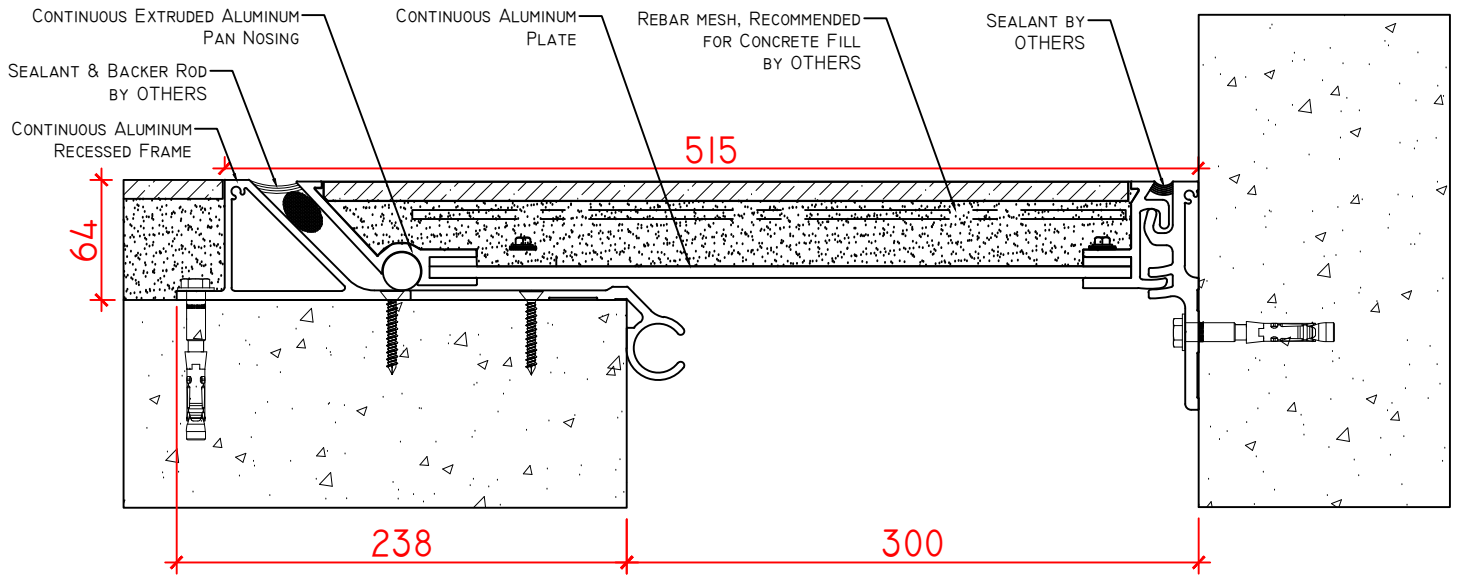
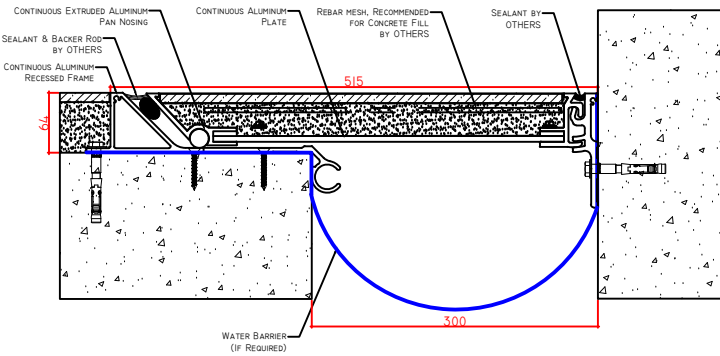


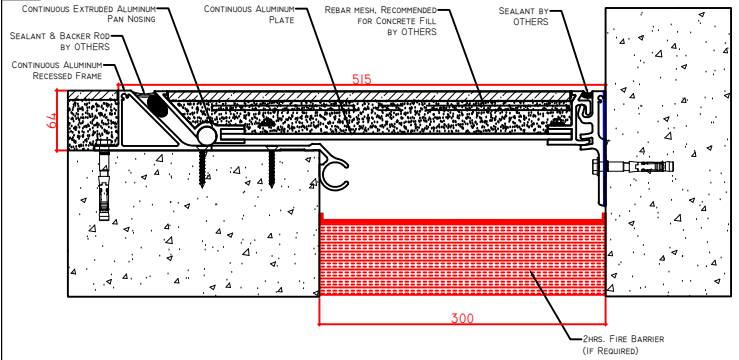
OPTION 1: ZK-5000



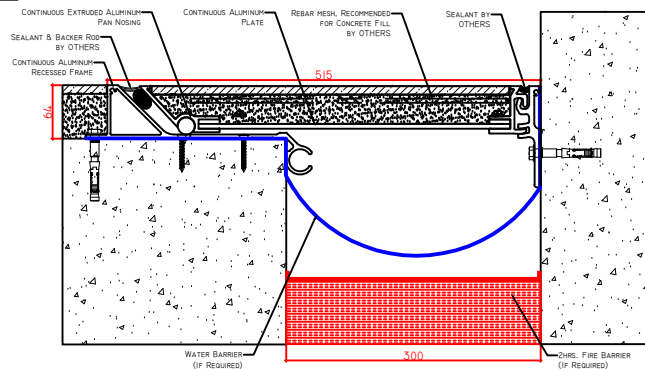
OPTION 2: ZK-5000 + WATER BARRIER



OPTION 3: ZK-5000 + FIRE BARRIER



OPTION 4: ZK-5000 + WATER BARRIER + FIRE BARRIER



SKU	NAME	JOINT WIDTH, JW(MM)	HEIGHT, H(MM)	SIGHTLINE, S(MM)	MOVEMENT CAPACITY %	LOAD CAPACITY (KN)
ZK500030064515	ZK-5000-300	300	64	515	±50	10



**PRODUCT TYPE:** EXPANSION JOINT COVER

**APPLICATION:** FLOOR TO WALL CONDITION

**APPROVED BY CLIENT:**