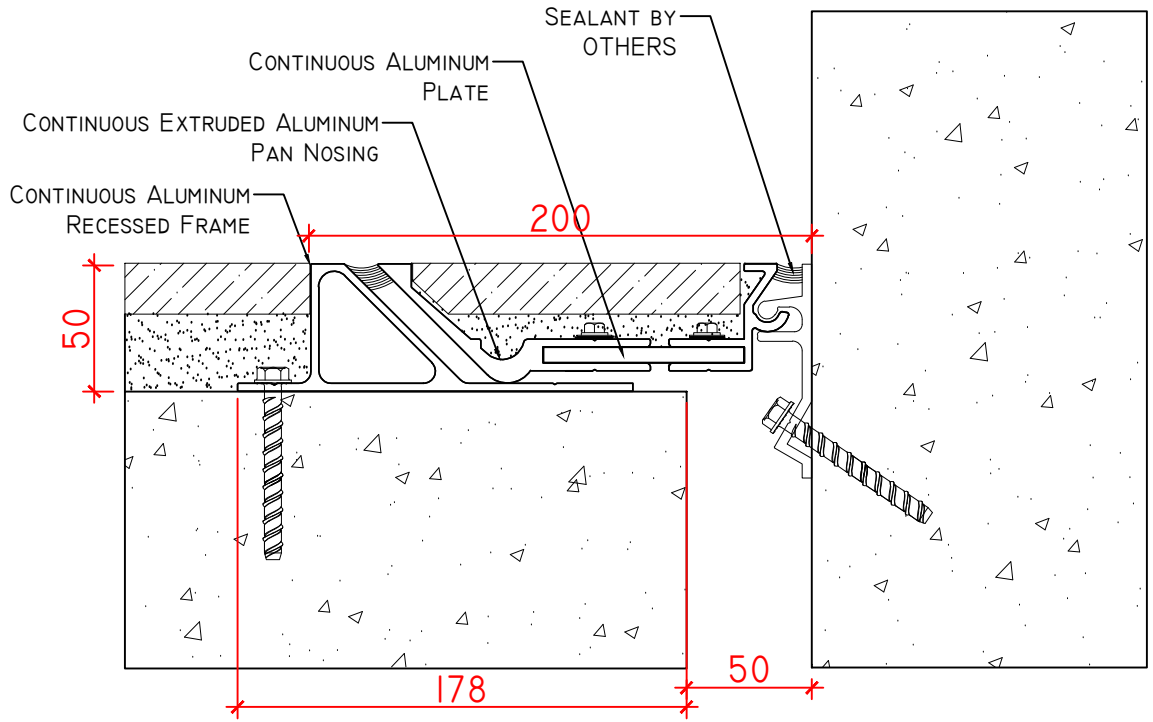
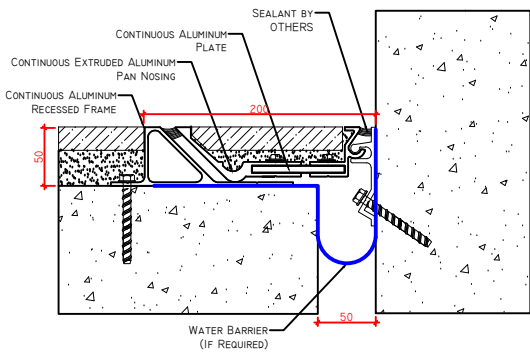


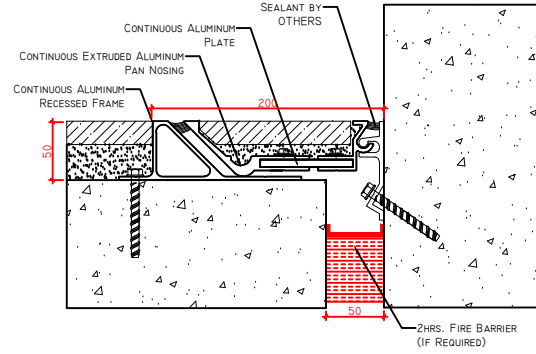
OPTION 1: ZK-5000



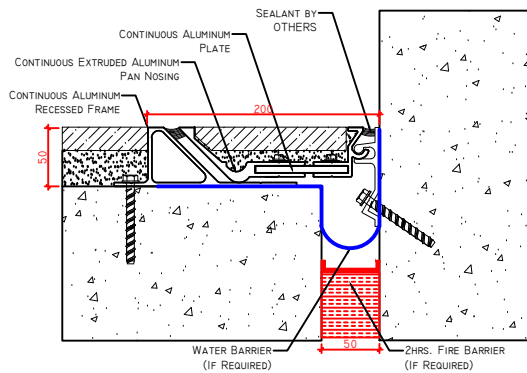
OPTION 2: ZK-5000 + WATER BARRIER



OPTION 3: ZK-5000 + FIRE BARRIER



OPTION 4: ZK-5000 + WATER BARRIER + FIRE BARRIER



SKU	NAME	JOINT WIDTH, JW(MM)	HEIGHT, H(MM)	SIGHTLINE, S(MM)	MOVEMENT CAPACITY %	LOAD CAPACITY (KN)
ZK50005050200	ZK-5000-50	50	50	200	±50	10



PRODUCT TYPE: EXPANSION JOINT COVER

APPLICATION: FLOOR TO WALL CONDITION

APPROVED BY CLIENT: