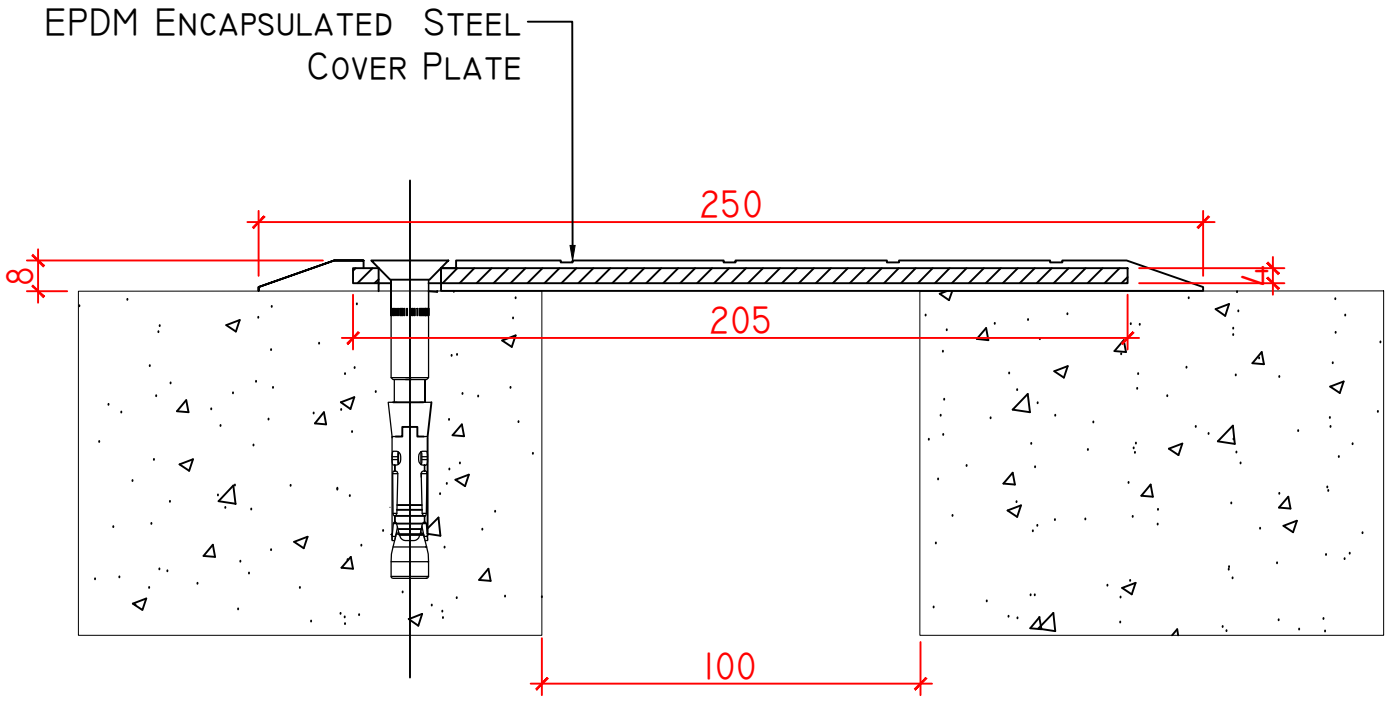
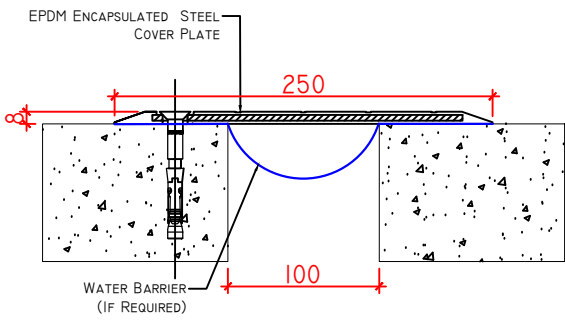


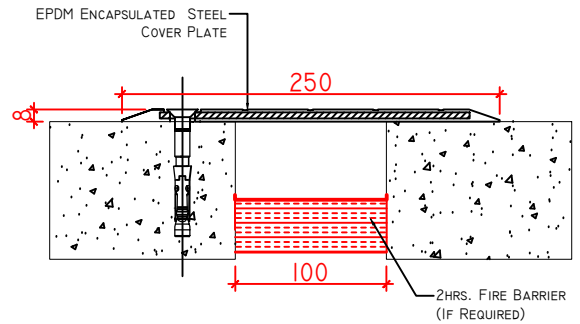
OPTION 1: GEN-I000B



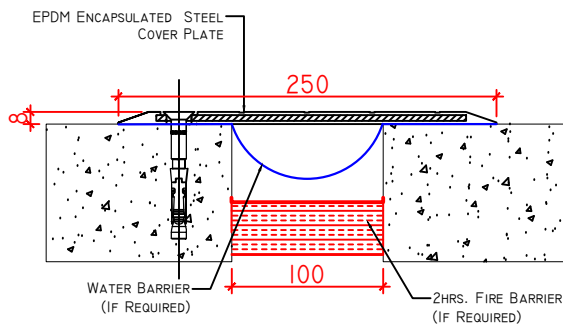
OPTION 2: GEN-I000B + WATER BARRIER



OPTION 3: GEN-I000B + FIRE BARRIER



OPTION 4: GEN-I000B + WATER BARRIER + FIRE BARRIER



SKU	NAME	JOINT WIDTH, JW(MM)	HEIGHT, H(MM)	SIGHTLINE, S(MM)	MOVEMENT CAPACITY %	LOAD CAPACITY (KN)
GENI000BI008250	GEN-I000B-100	100	8	250	±50	30



PRODUCT TYPE: EXPANSION JOINT COVER

APPLICATION: FLOOR TO FLOOR CONDITION

APPROVED BY CLIENT: