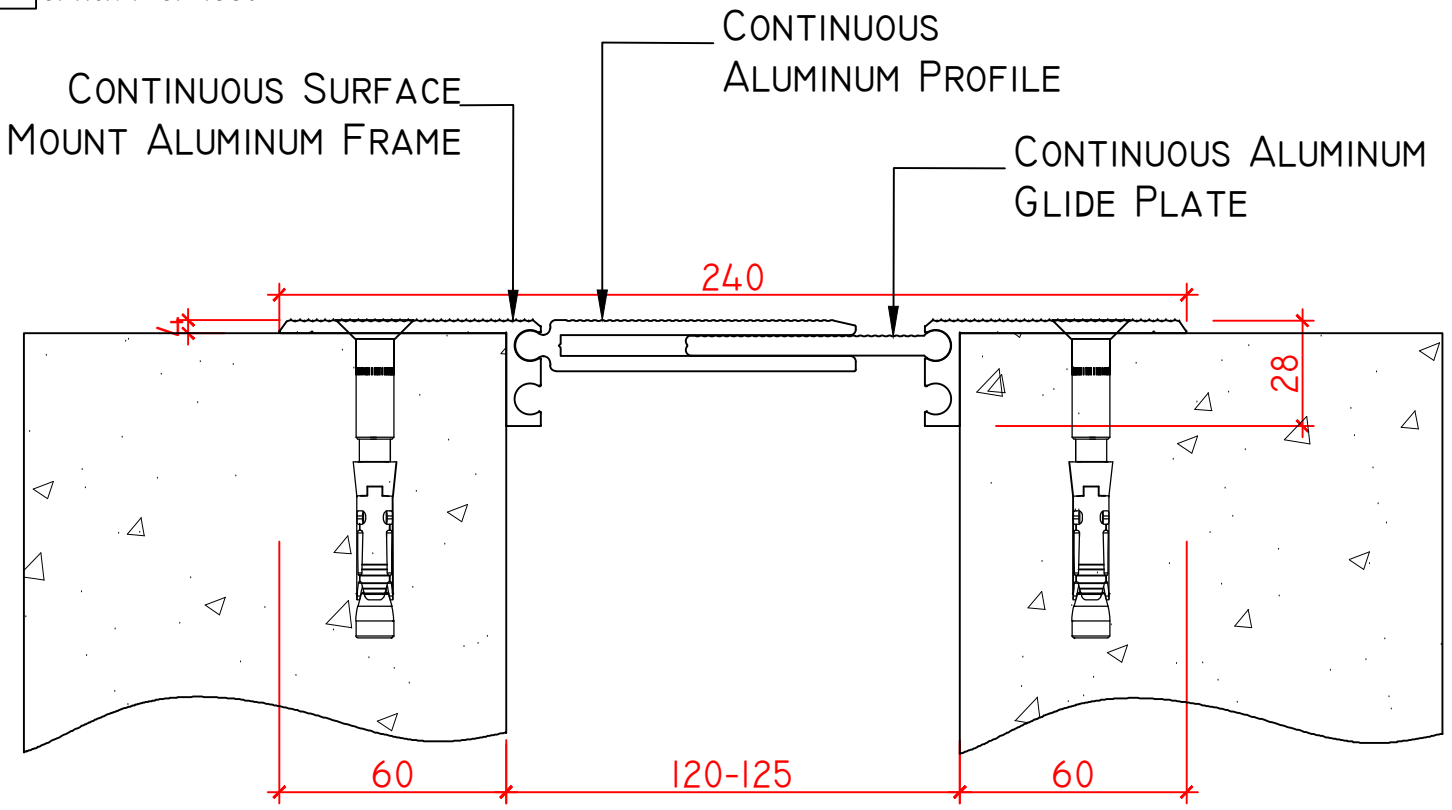
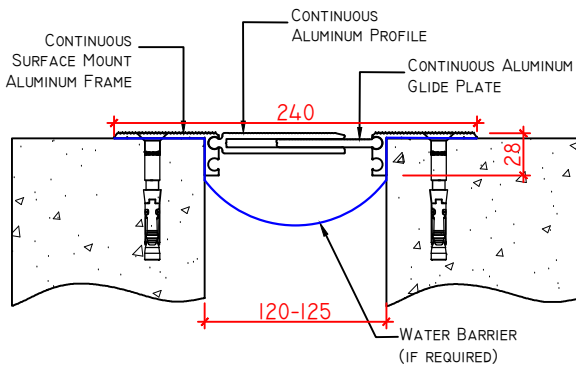


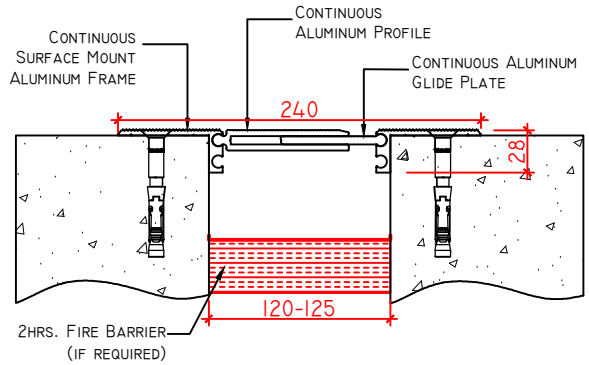
OPTION 1: OF-I660



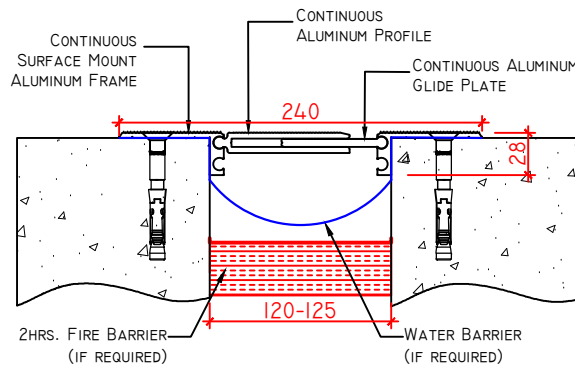
OPTION 2: OF-I660 + WATER BARRIER



OPTION 3: OF-I660 + FIRE BARRIER



OPTION 4: OF-I660 + WATER BARRIER + FIRE BARRIER



SKU	NAME	JOINT WIDTH, JW(MM)	HEIGHT, H(MM)	SIGHTLINE, S(MM)	MOVEMENT CAPACITY %	LOAD CAPACITY (KN)
OFI660I2528240	OF-I660-125	120-125	28	240	±25	35



GENOTEK

PRODUCT TYPE: EXPANSION JOINT COVER

APPLICATION: FLOOR TO FLOOR CONDITION

APPROVED BY CLIENT: