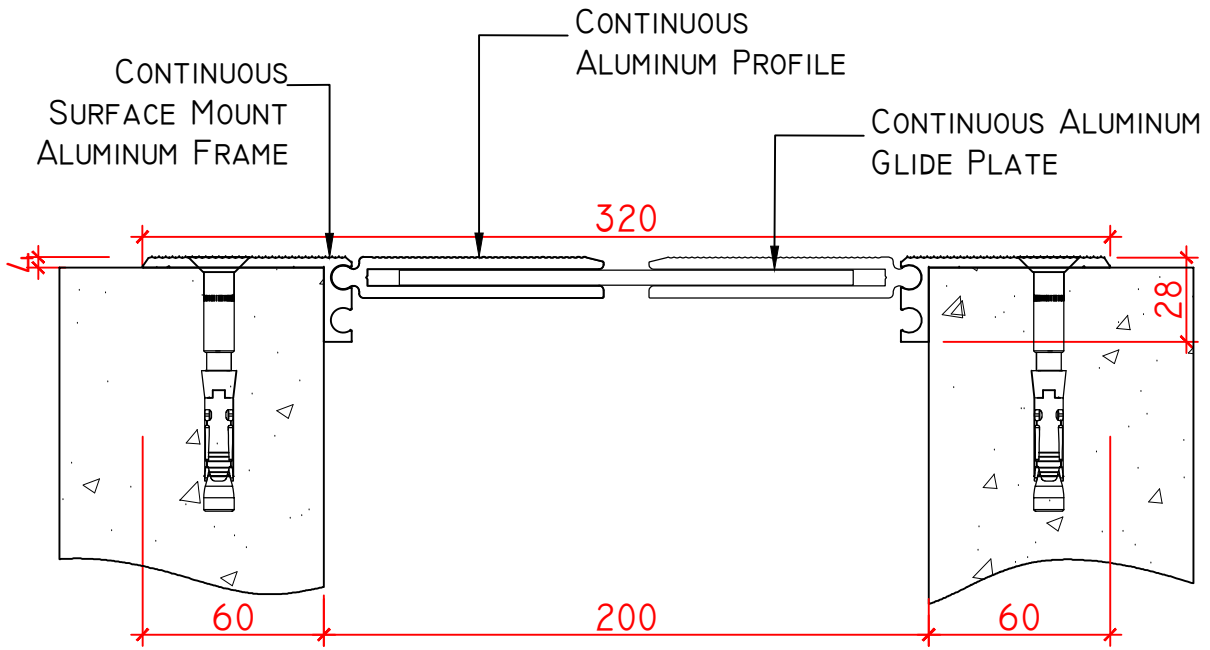
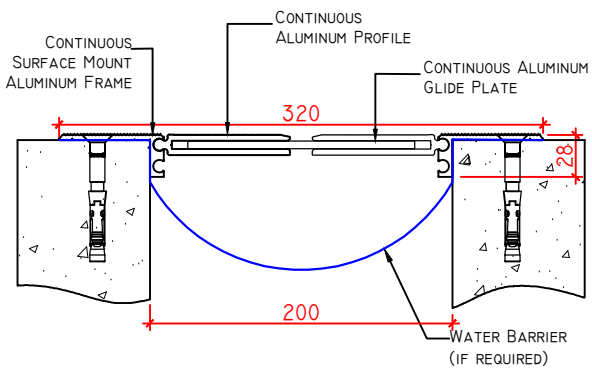


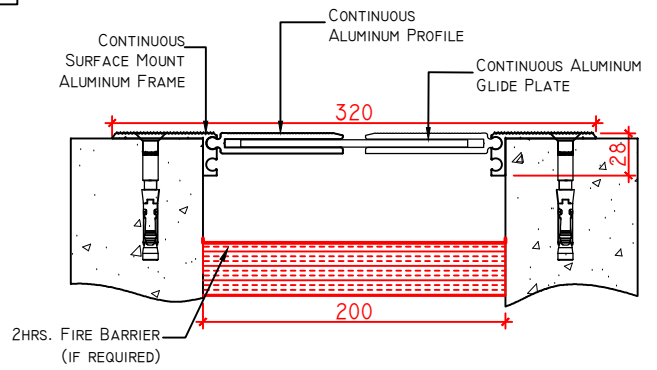
OPTION 1: OF-1660



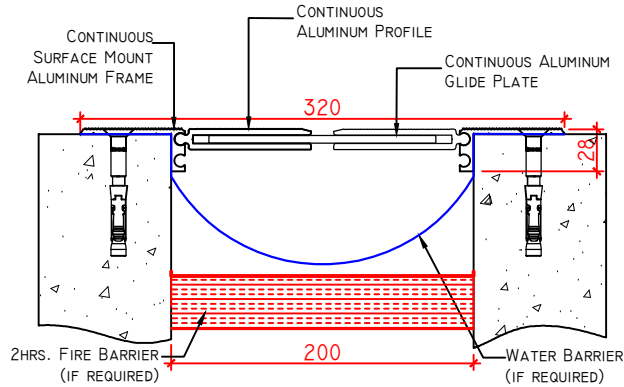
OPTION 2: OF-1660 + WATER BARRIER



OPTION 3: OF-1660 + FIRE BARRIER



OPTION 4: OF-1660 + WATER BARRIER + FIRE BARRIER



| SKU | NAME | JOINT WIDTH, JW(MM) | HEIGHT, H(MM) | SIGHTLINE, S(MM) | MOVEMENT CAPACITY % | LOAD CAPACITY (KN) |
|----------------|-------------|---------------------|---------------|------------------|---------------------|--------------------|
| OF166020028320 | OF-1660-200 | 200 | 28 | 320 | ±25 | 35 |



PRODUCT TYPE: EXPANSION JOINT COVER

APPLICATION: FLOOR TO FLOOR CONDITION

APPROVED BY CLIENT: