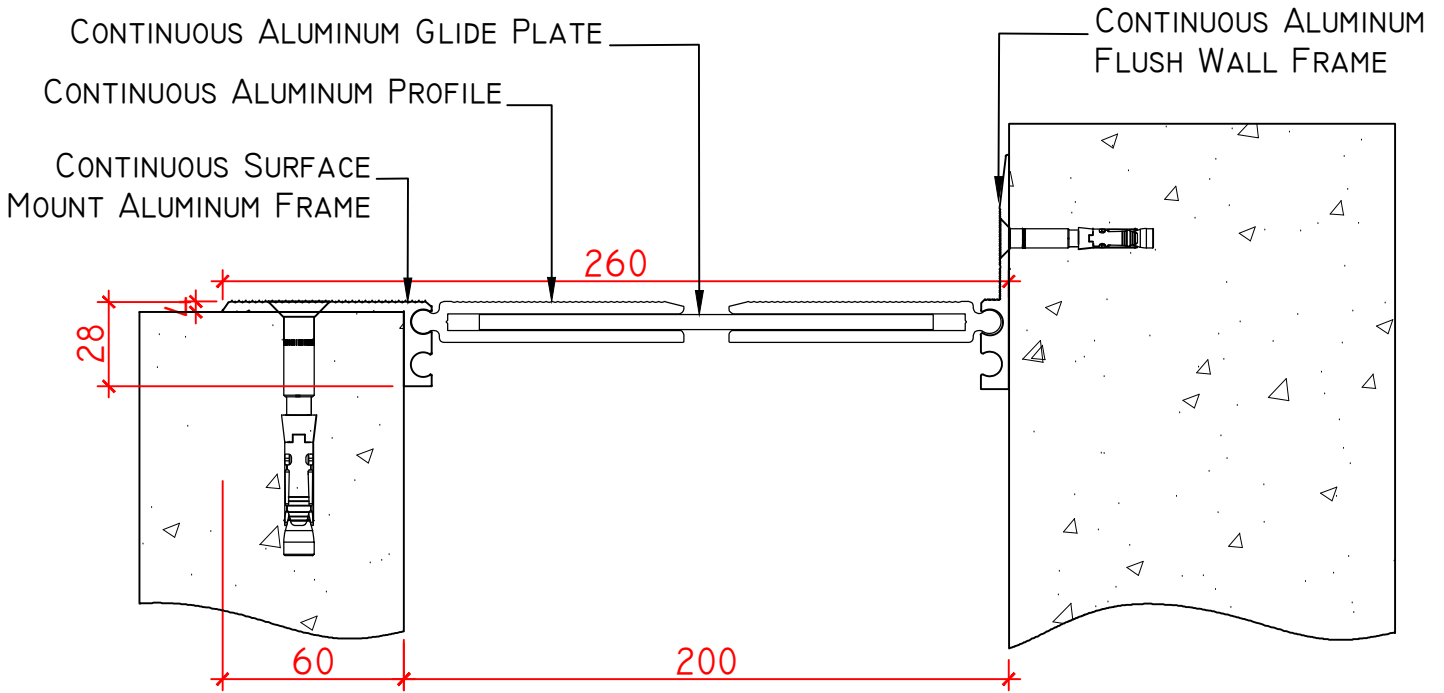
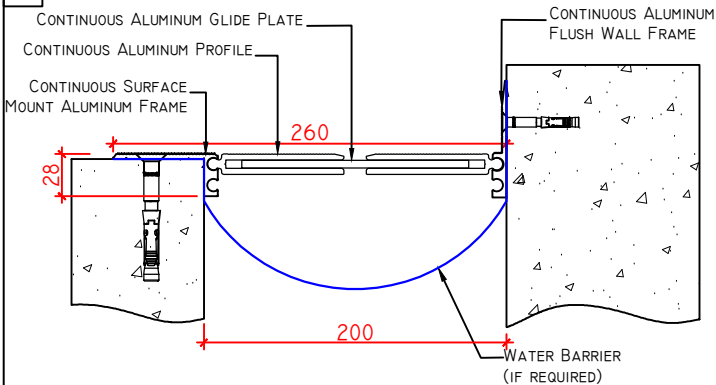


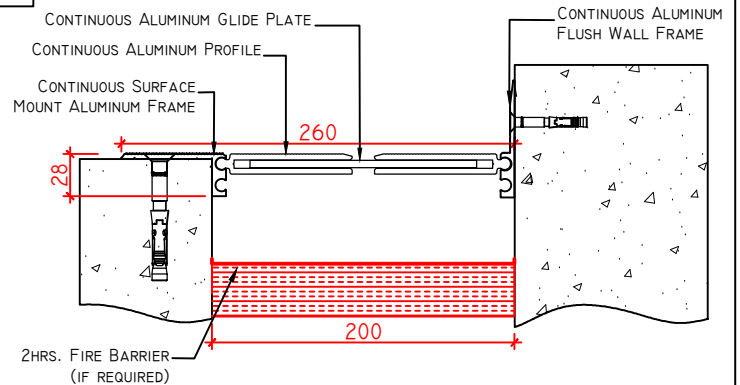
OPTION 1: OFK-I660



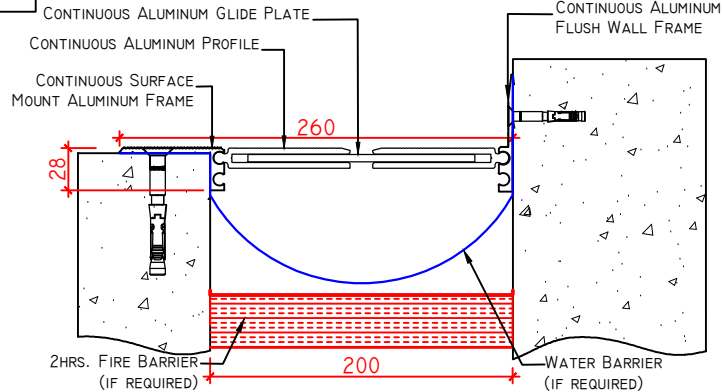
OPTION 2: OFK-I660 + WATER BARRIER



OPTION 3: OFK-I660 + FIRE BARRIER



OPTION 4: OFK-I660 + WATER BARRIER + FIRE BARRIER



SKU	NAME	JOINT WIDTH, JW(MM)	HEIGHT, H(MM)	SIGHTLINE, S(MM)	MOVEMENT CAPACITY %	LOAD CAPACITY (KN)
OFK166020028260	OFK-I660-200	200	28	260	±25	35



PRODUCT TYPE: EXPANSION JOINT COVER

APPLICATION: FLOOR TO WALL CONDITION

APPROVED BY CLIENT: